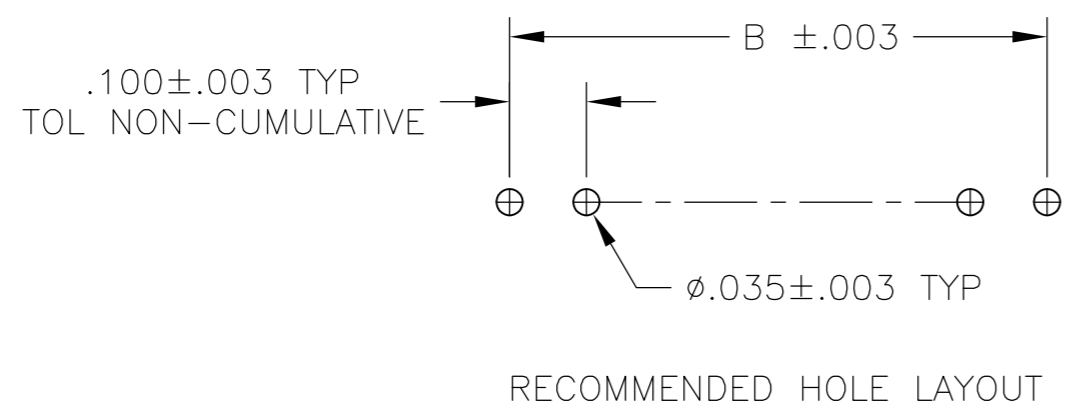
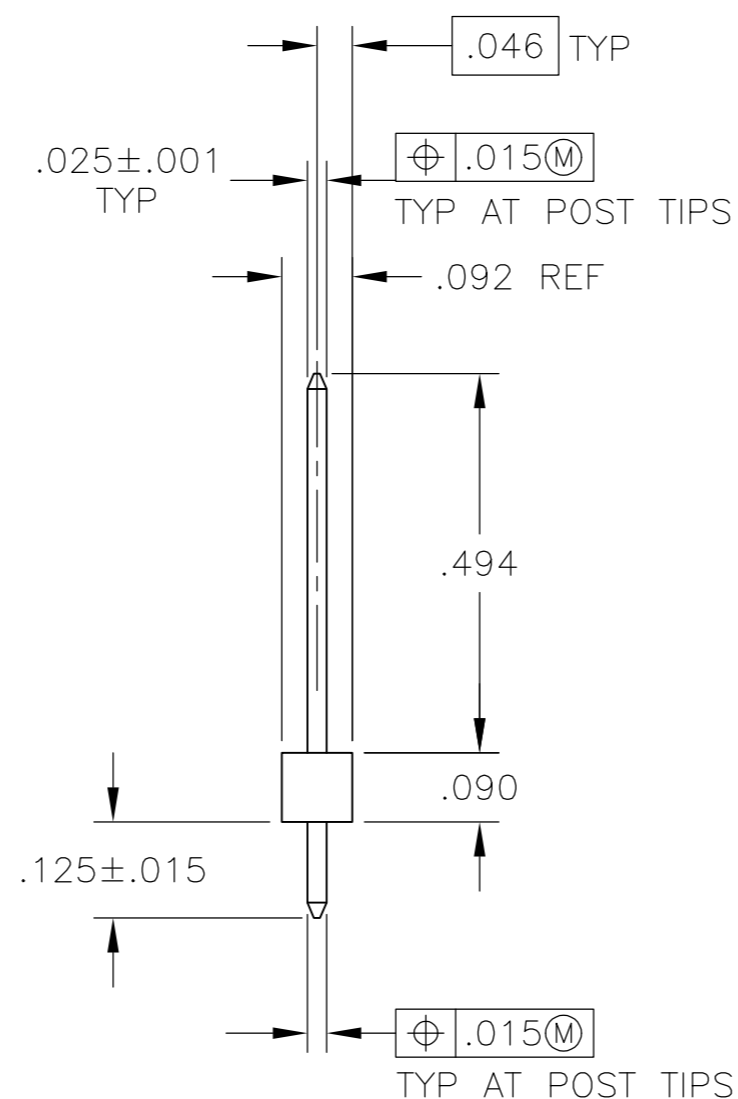
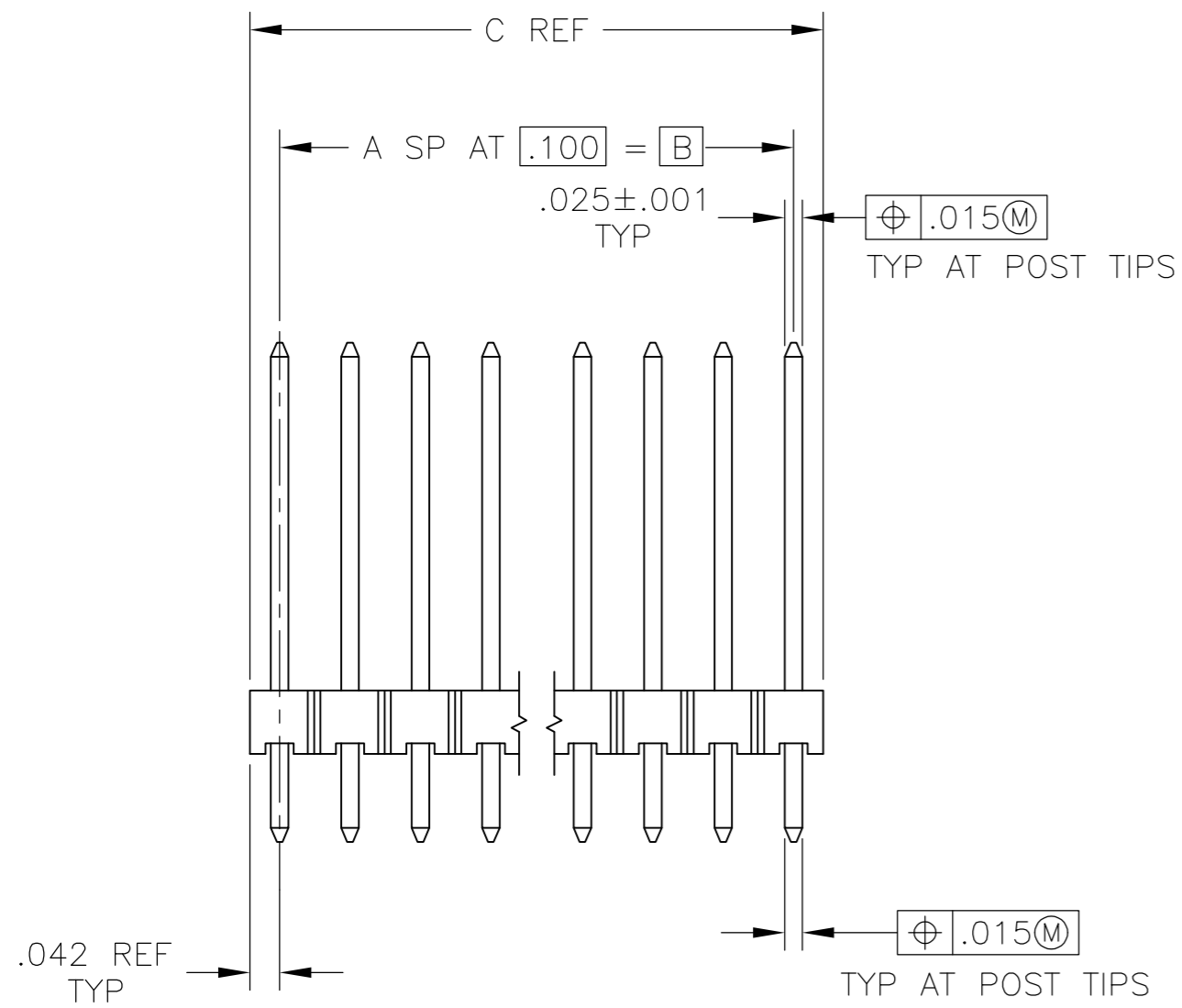


THIS DRAWING IS UNPUBLISHED. RELEASED FOR PUBLICATION  
 © COPYRIGHT - By - ALL RIGHTS RESERVED.

LOC		DIST		REVISIONS			
P	LTR	DESCRIPTION		DATE	DWN	APVD	
AD	00	H3	REVISED PER ECO-13-002064		05FEB13	KH	MM



- 1 TRUE POSITION TOLERANCE OF THE POST TIPS APPLIES WHEN THE HEADERS ARE HELD FLAT AGAINST THE PRINTED CIRCUIT BOARD
- 2 ASSEMBLY MAY BE BROKEN TO THE DESIRED NUMBER OF POSITIONS
- 3 HOUSING: FLAME RETARDANT THERMOPLASTIC, COLOR-BLACK. POST: PHOSPHOR BRONZE.
- 4 .000100-.000200 MATTE TIN-LEAD OVER .000050 NICKEL.
- 5 PRELIMINARY PART - NOT RELEASED FOR PRODUCTION
- 6 .000100-.000200 MATTE TIN OVER .000050 NICKEL.
- 7 HIGH TEMPERATURE CONFIGURATION
- 8 OBSOLETE PER RENAUD/SINISI STREAMLINING

8	7	6	.184	.100	1	2	5-147336-4
8	7	6	.984	.900	9	10	5-147336-3
8	7	6	.884	.800	8	9	5-147336-2
8	7	6	.784	.700	7	8	5-147336-1
8	-	4	.184	.100	1	2	147336-4
-	-	4	.984	.900	9	10	147336-3
-	-	4	.884	.800	8	9	147336-2
-	-	4	.784	.700	7	8	147336-1
REMARKS	PLATING	C	B	A	NO. OF POSN.	PART NUMBER	

THIS DRAWING IS A CONTROLLED DOCUMENT.		DWN	B. HAYMAKER	02NOV99	TE Connectivity		
DIMENSIONS: INCHES		CHK	J. GESFORD	02NOV99			
TOLERANCES UNLESS OTHERWISE SPECIFIED:		APVD	J. GESFORD	02NOV99	NAME		
0 PLC ± -	1 PLC ± -	PRODUCT SPEC	ASSEMBLY, HEADER, BREAKAWAY, MOD II, SINGLE ROW, .100 CL, VERTICAL, WITH .025 SQUARE POSTS				
2 PLC ± -	3 PLC ± .005	APPLICATION SPEC	SIZE	CAGE CODE	DRAWING NO	RESTRICTED TO	
4 PLC ± -	ANGLES ± -	FINISH	A2	00779	C=147336	-	
MATERIAL	SEE TABLE	WEIGHT	CUSTOMER DRAWING		SCALE	SHEET	REV
3					4:1	1 of 1	H3