
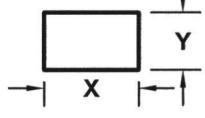

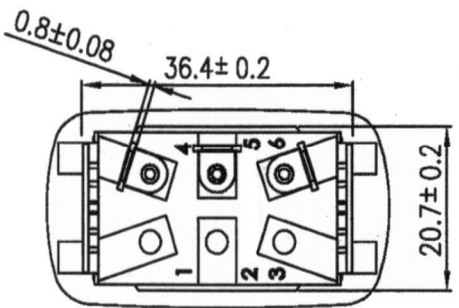
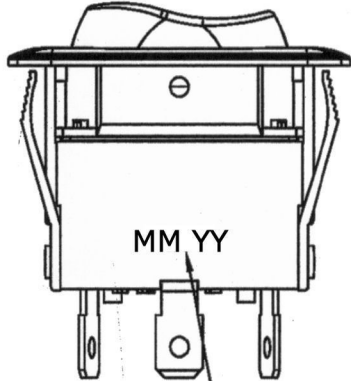
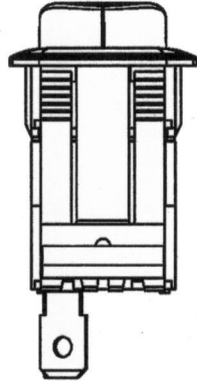
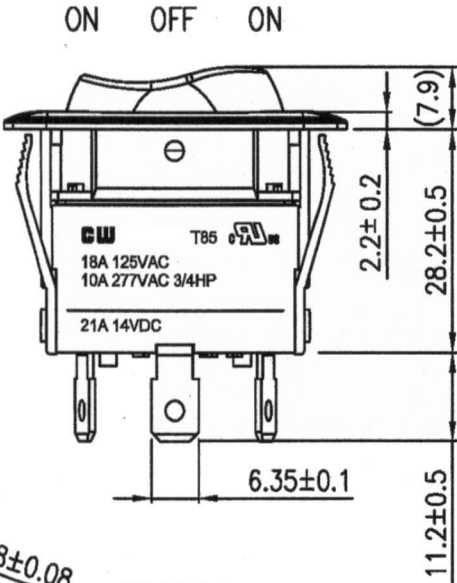
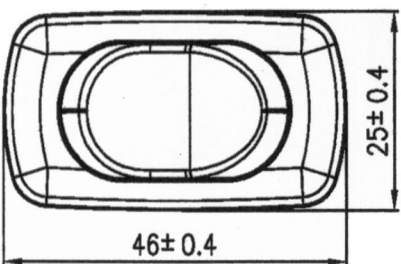


THIS INFORMATION IS CONFIDENTIAL AND PROPRIETARY TO CW INDUSTRIES INCORPORATED AND ITS AFFILIATES. IT MAY NOT BE DISCLOSED TO ANYONE, OTHER THAN CW INDUSTRIES PERSONNEL, WITHOUT WRITTEN AUTHORIZATION FROM CW INDUSTRIES INCORPORATED, SOUTHAMPTON, PENNSYLVANIA USA.

Rating	18A 125VAC, 10A 277VAC		Mounting Hole 	Circuit Diagram 												
	3/4HP 277VAC															
	21A 14V DC		<table border="1"> <thead> <tr> <th>Thickness</th> <th>X</th> <th>Y</th> </tr> </thead> <tbody> <tr> <td>0.75 - 1.25</td> <td>21.2 + 0.1</td> <td>36.6 + 0.1</td> </tr> <tr> <td>1.25 - 2.00</td> <td>21.2 + 0.1</td> <td>36.8 + 0.1</td> </tr> <tr> <td>2.00 - 3.00</td> <td>21.2 + 0.1</td> <td>37.0 + 0.1</td> </tr> </tbody> </table>	Thickness	X	Y	0.75 - 1.25	21.2 + 0.1	36.6 + 0.1	1.25 - 2.00	21.2 + 0.1	36.8 + 0.1	2.00 - 3.00	21.2 + 0.1	37.0 + 0.1	SPDT ON - OFF - ON
Thickness	X	Y														
0.75 - 1.25	21.2 + 0.1	36.6 + 0.1														
1.25 - 2.00	21.2 + 0.1	36.8 + 0.1														
2.00 - 3.00	21.2 + 0.1	37.0 + 0.1														

BASE COLOR: Black
BUTTON COLOR: Black



RoHS Compliant

1 | Added 3/4HP 125/277VAC to rating. 1/31/11.

CW INDUSTRIES
 Southampton, Pa. 18966
 Tel 215.355.7080/www.cwind.com

Date Drawn: 1/31/11

Rev. 1

Unit: mm

Checked By: **G.GULD**

Title: **ROCKER SWITCH**

CW P/N: **GRB263D001NNN**