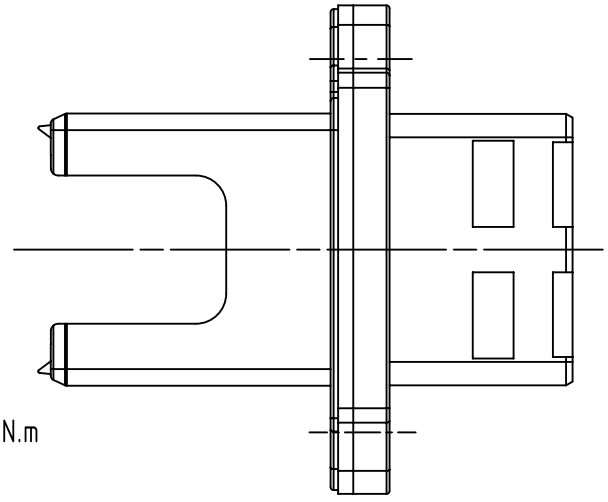
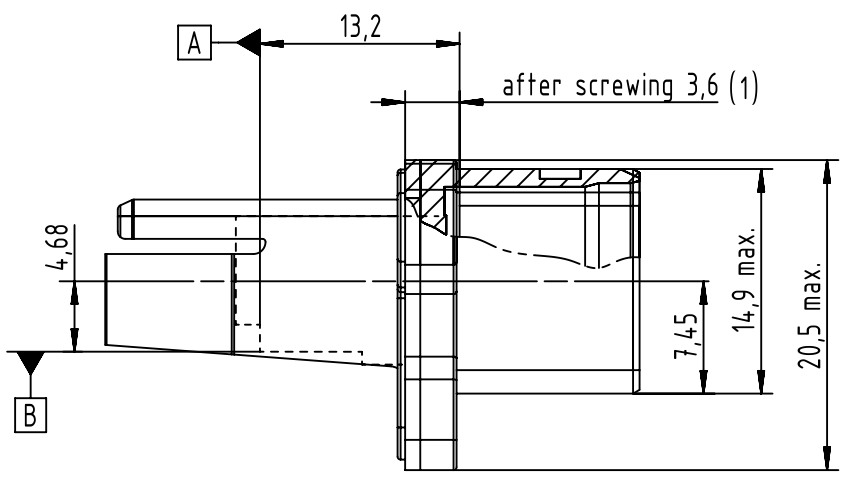
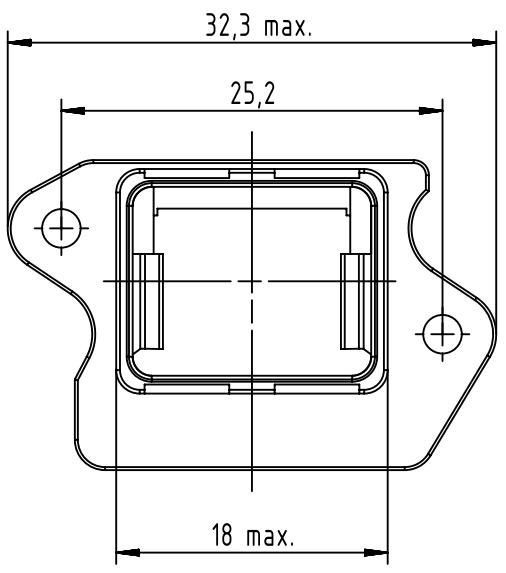
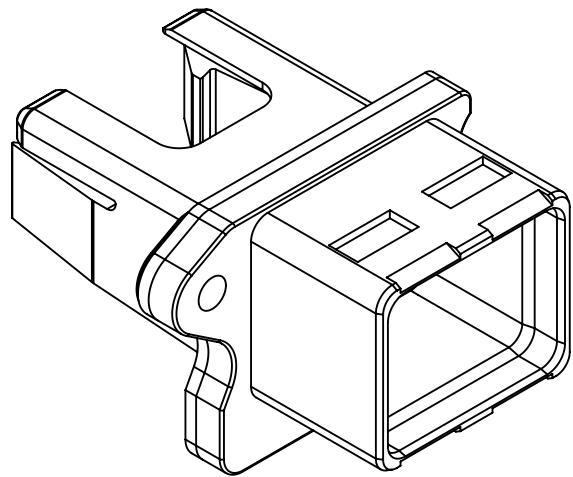


MAXI PANEL THICKNESS: 3,5mm.
M2,5 threads musn't go through the panel.



Connector pitch on panel:
Axis X = 27 mm and Axis Y = 21 mm
Receptacle mating side according to
60076-3-106 IEC - variant 04

Mating references A and B
according to IEC 60603-7

(1) Screwing x2 M2,5 screws from 0,3 N.m and 0,5 N.m
screw according to DIN 912 and ISO 4762

	All Dimensions in mm Original Size DIN A4		Scale 2:1	Free size tol.		Ref.
						Sub.
	All rights reserved		Created by SONN	Inspected by BAGDIKIAN	Standardisation HASSE	Date 2014-10-09
	Department EC PD - FR					State Final Release
HARTING Electronics GmbH D-32339 Espelkamp			Title HPP V4 C-PFT housing w. clip			Doc-Key / ECM-Nr. 100184653/UGD/001/C 500000080400
			Type TB	Number 09455450029		Rev. C Page 1/1