

MATERIALS AND FINISHES

BODY STAINLESS STEEL
PASSIVATED

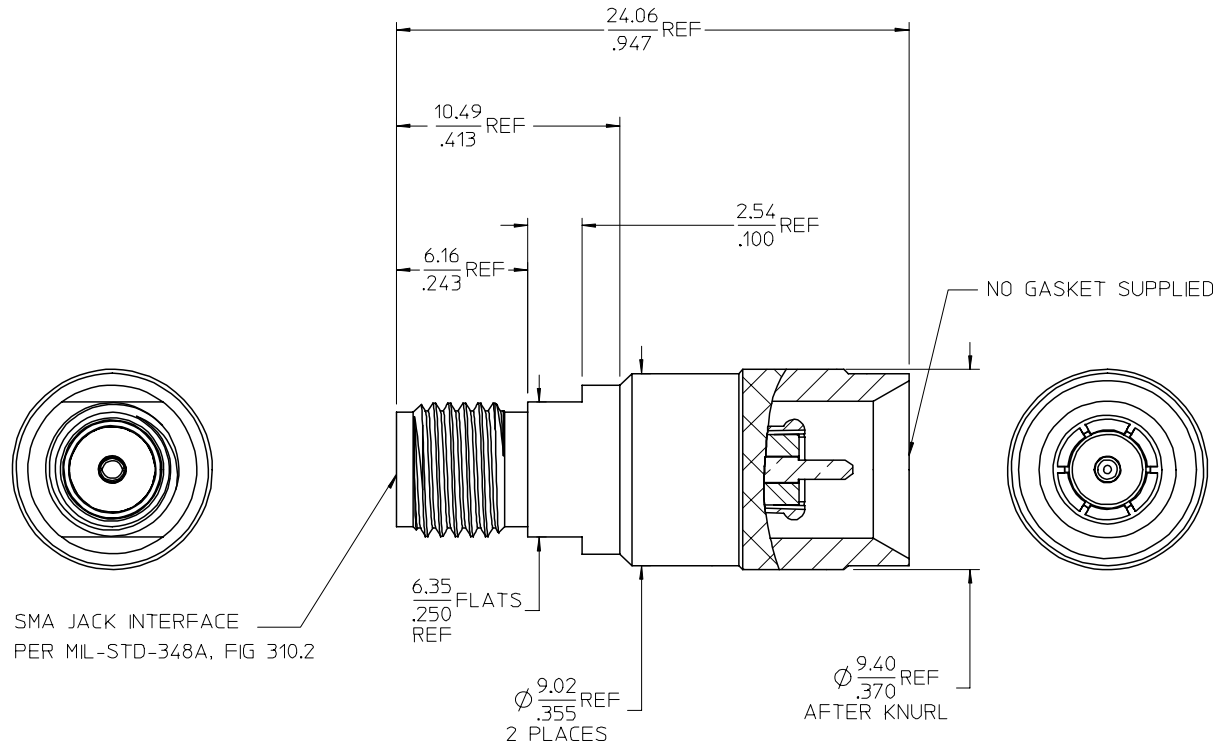
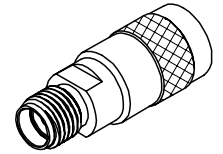
CENTER CONTACT
PLATED GOLD

OUTER CONTACT BERYLLIUM COPPER
PLATED NICKEL

INSULATOR TEFLON

ELECTRICAL PERFORMANCE:

VSWR: 1.30 MAX TO 18 GHz



PART # 73251-2830

CHG: NEW RELEASE FC NO: URF2007-0545 DRAWN: FLAHERTY 2007/06/28 CHKD: SHAH 2007/06/28 APPR: JIMENER 2007/06/28	QUALITY SYMBOLS ▽=0 ▽=0	GENERAL TOLERANCES (UNLESS SPECIFIED)		DIMENSION STYLE MM/IN		SCALE	DESIGN UNITS METRIC	THIRD ANGLE PROJECTION			
		4 PLACES ± --- ± ---	3 PLACES ± --- ± ---	2 PLACES ± --- ± ---	1 PLACE ± --- ± ---	ANGULAR ± 2 °	DRAWN BY TEF	DATE 2005/12/27	TITLE SMA JACK TO SMA PLUG MODIFIED ADAPTER 50 OHM SMA-PJ/AD		
							CHECKED BY SSS	DATE 2005/12/27	MOLEX INCORPORATED		
							APPROVED BY JDW	DATE 2005/12/27	MATERIAL NO. 732512830	DOCUMENT NO. SD-73251-283	SHEET NO. 1 OF 1
DRAFT WHERE APPLICABLE MUST REMAIN WITHIN DIMENSIONS					THIS DRAWING CONTAINS INFORMATION THAT IS PROPRIETARY TO MOLEX INCORPORATED AND SHOULD NOT BE USED WITHOUT WRITTEN PERMISSION						