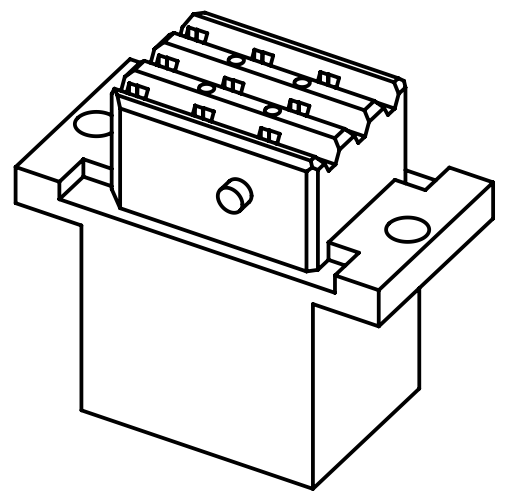


Reihe
row

— d

— b

— z



	All rights reserved Department EC PD - DE	All Dimensions in mm Original Size DIN A4			Scale 2:1	Free size tol. complementary IEC 60603-2	Ref. Sub. TB 09062093201 Mod. 36200 v. 16.12.10
		HARTING Electronics GmbH D-32339 Espelkamp	Created by SCHRAMMEF	Inspected by DAHMS	Standardisation HOFFMANN	Date 2013-06-12	State Final Release
Title DIN Power type F9 female crimp							Rev. B
Type TB					Number 09062093201		Page 1/1