

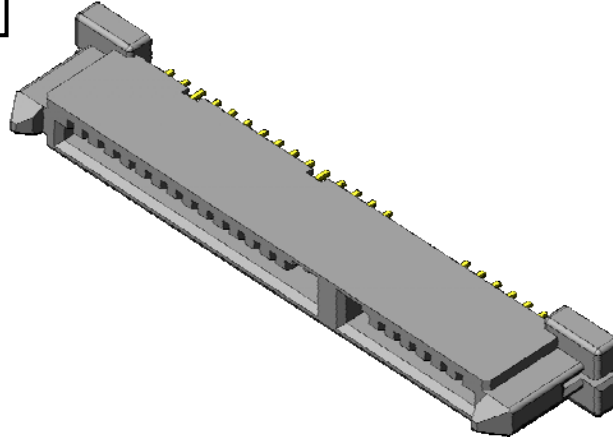
NEW


SATA Compatible Interface Connector

CONNECTOR

MB-0150-2

July 2006

PM3 Series**RoHS Compliant**

PM3 series is a back plane side interface connector, standardized by the Serial ATA-International Organization.

Features

- Serial ATA Standard compatible
- Through hole type terminal suitable for FPC relay mounting
- Packaged in tray

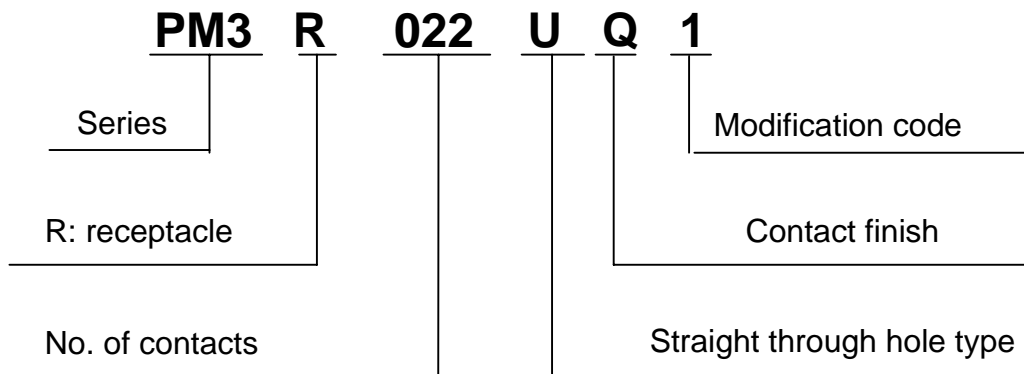
General Specifications

- No. of contacts: 22 pos.
- Contact resistance: 30m ohm max. (initial)
- Dielectric withstanding voltage: AC 500 VACr.m.s (per minute)
- Operating temperature: -40 to+85 Deg. C
- Current carrying capacity: 1.5A per contact
- Life time: 500 mating cycle

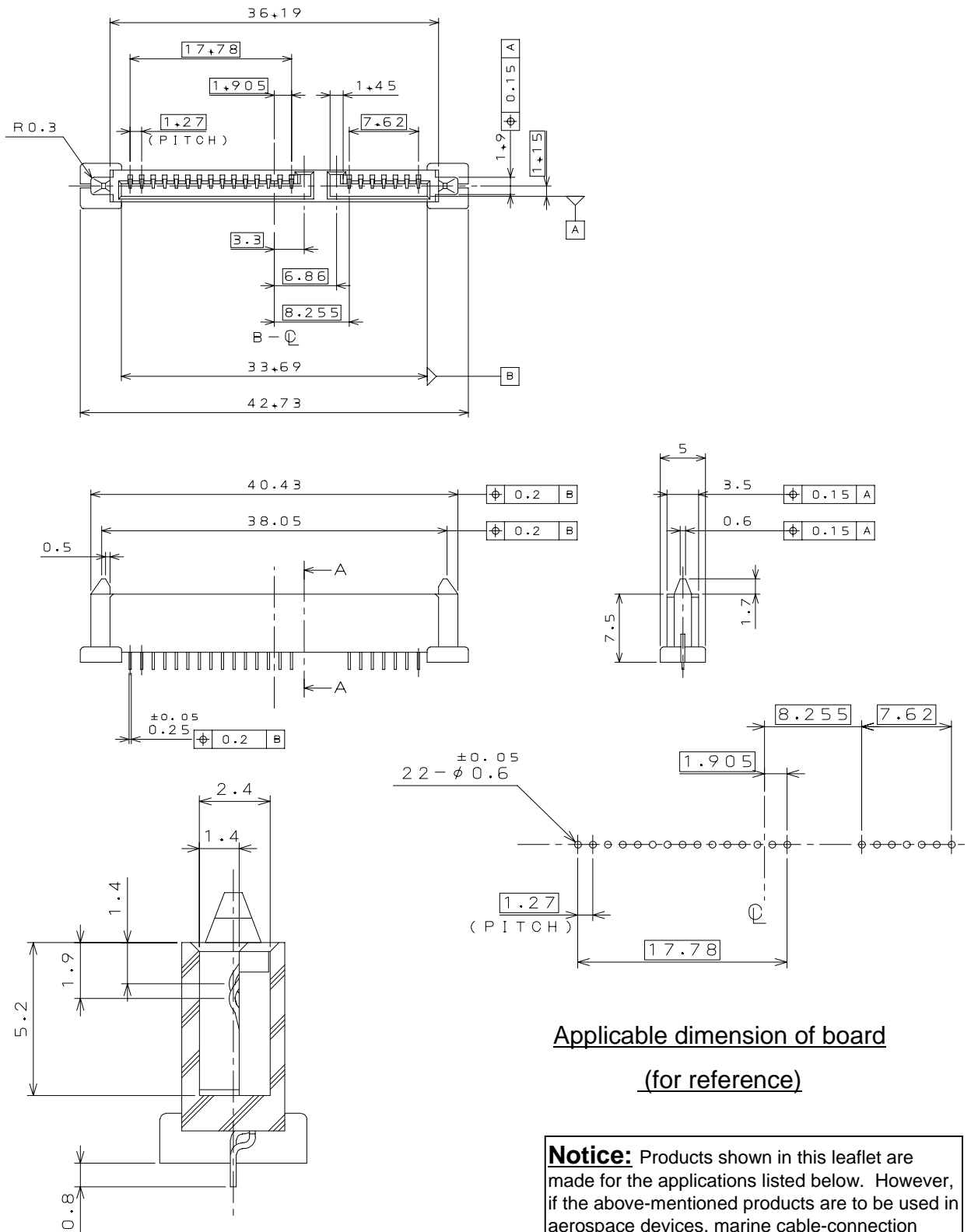
Materials and Finishes

Componets	Materials/ Finishes
Contact	Copper alloy/ Conntact area: 0.3 um Au plating min. over Ni Terminal area: Sn plating
Insulator	Glass filled LCP UL94V-0 Color: Black

Ordering Information



Part Number: PM3R022UQ1(SJ104319)



Applicable dimension of board
(for reference)

Cross section A-A

Japan Aviation Electronics Industry, Limited

Product Marketing Division
Aobadai Building, 3-1-19, Aobadai, Meguro-ku, Tokyo 153-8539
Phone: +81-3-3780-2787 FAX: +81-3-3780-2946

Notice: Products shown in this leaflet are made for the applications listed below. However, if the above-mentioned products are to be used in aerospace devices, marine cable-connection devices, atomic power control systems, medical equipment for life-support systems, or any other specific application requiring extremely high reliability, please contact JAE for further information.
Recommended applications: Computers, Office machines, Measuring devices, Telecommunication devices (Terminals, Mobile devices), AV devices, Household applications, FA devices, etc.