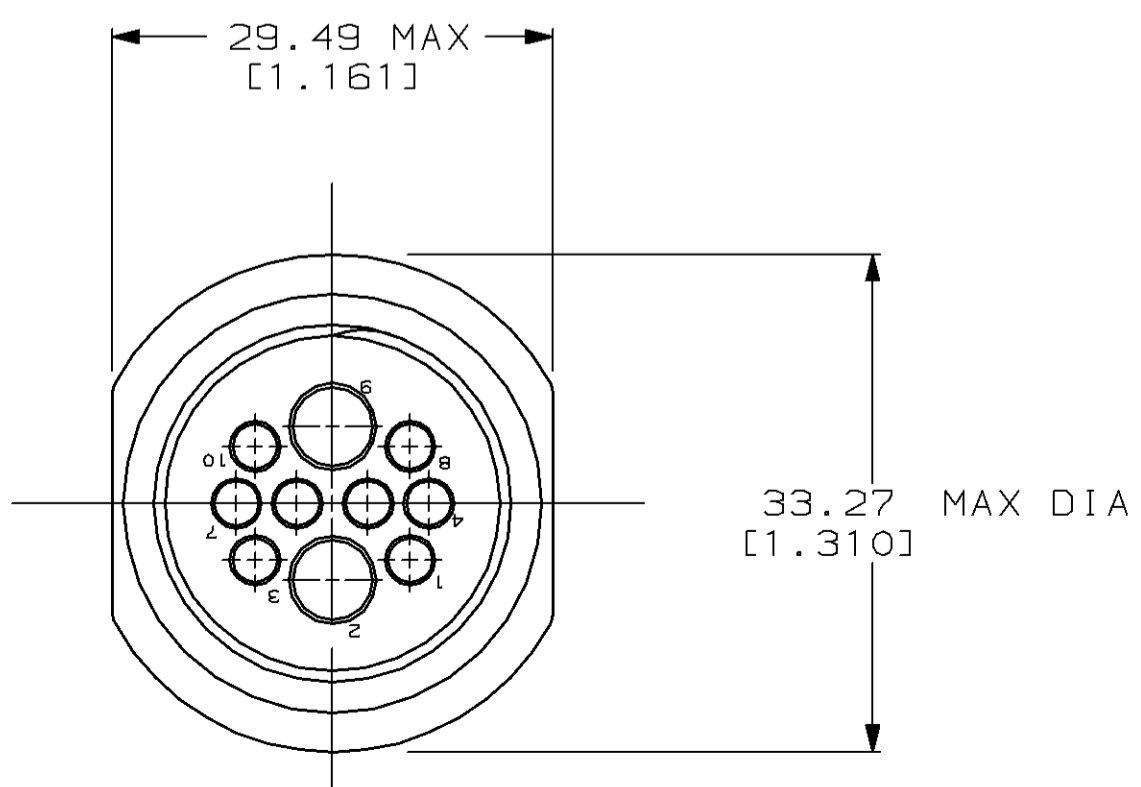
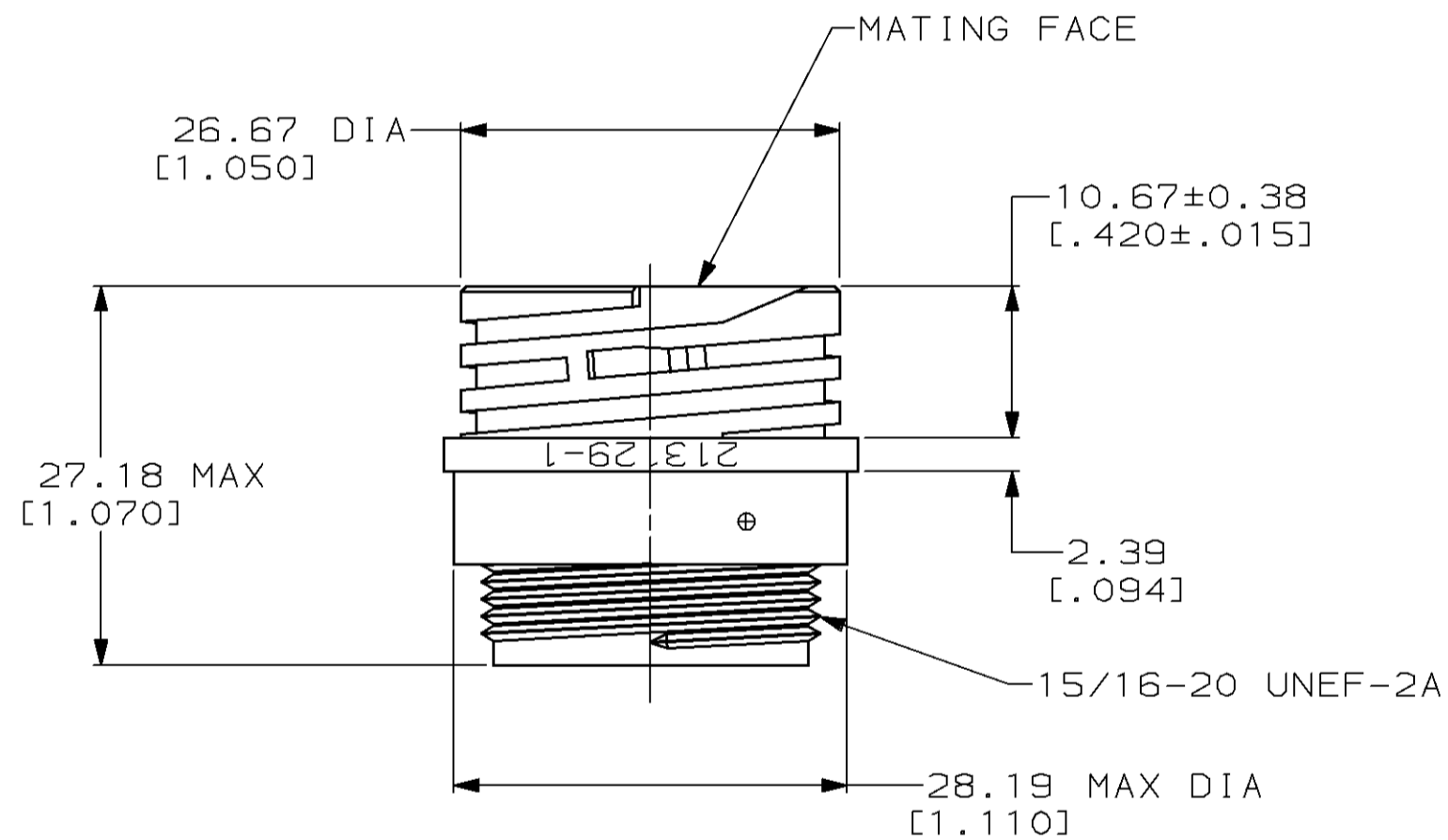
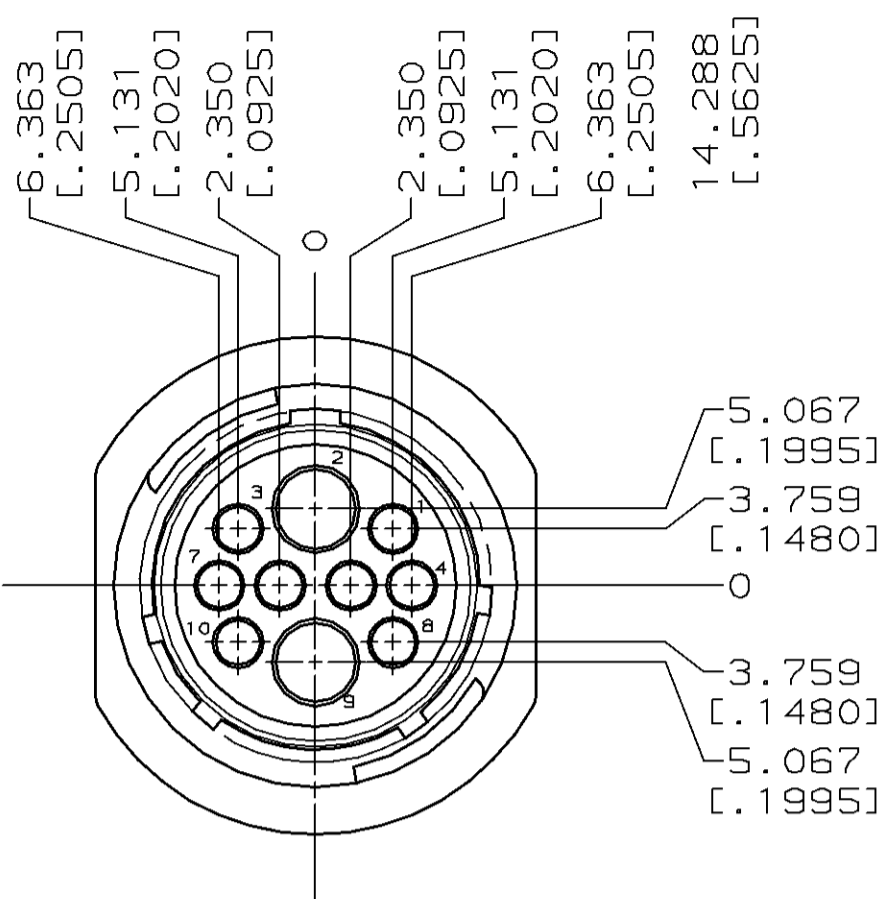


THIS DRAWING IS UNPUBLISHED. RELEASED FOR PUBLICATION  
 BY AMP INCORPORATED. ALL RIGHTS RESERVED.

| LOC | DIST | REVISIONS |     |                              |          |     |      |
|-----|------|-----------|-----|------------------------------|----------|-----|------|
|     |      | P         | LTR | DESCRIPTION                  | DATE     | DWN | APVD |
| BD  | 35   | E         |     | REDRAW ON CAD EC 0020-532-95 | 05/23/95 | -   | -    |



1. THIS CONNECTOR WILL ACCEPT TWO TYPE I, SIZE 12 SOCKET CONTACTS AND EIGHT MULTIMATE SOCKET CONTACTS.
2. TYPE I CONTACTS MATE FIRST, BREAK LAST.
3. MAX WIRE INSULATION USED WITH THIS RECEPTACLE IS 2.67[.105] DIA FOR MULTIMATE SOCKET CONTACTS.

213129-1  
 PART NUMBER

|   |  |                               |   |
|---|--|-------------------------------|---|
| THIS DRAWING IS A CONTROLLED DOCUMENT FOR AMP INCORPORATED. IT IS SUBJECT TO CHANGE AND THE CONTROLLING ENGINEERING ORGANIZATION SHOULD BE CONTACTED FOR THE LATEST REVISION. |  | DWN<br>C. OBERMAN<br>5-25-95  | AMP Incorporated<br>Harrisburg, PA 17105-3608   |
| DIMENSIONS:<br>mm [INCHES]  |  | CHK<br>R. STONE<br>5-25-95    |   |
| TOLERANCES UNLESS OTHERWISE SPECIFIED:  |  | APVD<br>A. FRANTUM<br>5-25-95 | NAME<br>RECEPTACLE, ARR 17-10M, REVERSE<br>SEX, SERIES 4, CLASS A,<br>FREE-HANGING, CPC |
| 0 PLC ±-<br>1 PLC ±-<br>2 PLC ±0.25 [.010]<br>3 PLC ±0.250 [.0100]<br>4 PLC ±- ±-<br>ANGLES ±- ±-<br>FINISH -   |  | PRODUCT SPEC<br>-             | SIZE<br>A2  |
| MATERIAL<br>NYLON, BLACK  |  | APPLICATION SPEC<br>-         | CAGE CODE<br>00779  |
|   |  | WEIGHT<br>-                   | DRAWING NO<br>213129  |
|   |  | CUSTOMER DRAWING              | SCALE<br>2:1  |
|   |  |                               | SHEET<br>1 OF 1   |
|   |  |                               | REV<br>E  |