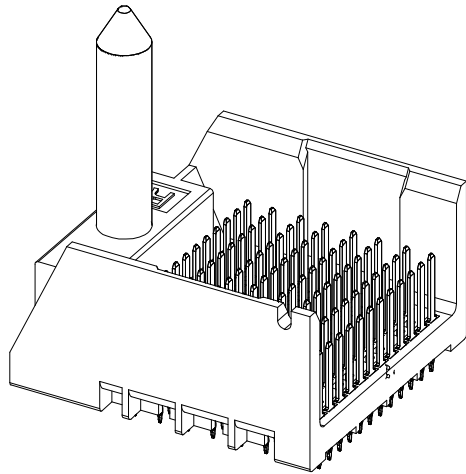


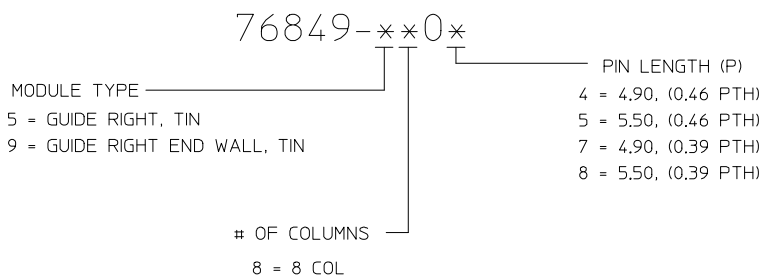
- NOTES:
1. MATERIALS: HOUSING - LIQUID CRYSTAL POLYMER (LCP)
GLASS-FILLED, UL94V-0
TERMINALS - HIGH PERFORMANCE COPPER ALLOY
 2. FINISH: 30μ MIN GOLD IN CONTACT AREA.
SELECTIVE TIN ON PCB TAILS.
NICKEL OVERALL.
 3. REFER TO MOLEX PRODUCT SPECIFICATION PS-76060-999
FOR PERFORMANCE SPECIFICATIONS AND ADDITIONAL PCB INFORMATION.
 4. THIS PART CONFORMS TO CLASS B REQUIREMENTS OF MOLEX
COSMETIC SPEC PS-45499-002.
 5. PACKAGE PER: PK-70873-764.
 6. SEE SHEETS 2 & 3 FOR PART NUMBERS AND BOARD RELATIONSHIPS.
 7. MATES WITH IMPACT DC SERIES NO. 76850.
 8. REFER TO MOLEX PCB ROUTING GUIDE AS-76060-990 FOR ANTIPAD AND
ROUTING RECOMMENDATIONS.
 9. KEEP OUT ZONE FOR BP HOUSING LENGTH INCLUDES AN ADDITIONAL 1.0MM
TO ACCOMODATE FOR SPACE REQUIRED BY DC FRONT HOUSING.
 10. CONNECTORS SUPPLIED WITH A 2-56 UNC-2A SCREW.

INITIAL RELEASE EC NO: UCP2013-0902 DRWINDVARVARA 2012/09/06 CHKD: APPR: JB INGHAM 2012/09/24	QUALITY SYMBOLS ▽=0 ▽=0	GENERAL TOLERANCES (UNLESS SPECIFIED)		DIMENSION STYLE MM ONLY	SCALE 4:1	DESIGN UNITS METRIC	THIRD ANGLE PROJECTION		
		4 PLACES ± --- ± ---	3 PLACES ± --- ± ---	2 PLACES ± 0.13 ± ---	1 PLACE ± 0.25 ± ---	ANGULAR ± 1/2°	DRAWN BY JMENDOZA	DATE 2010/05/10	CHECKED BY JB INGHAM
		DRAFT WHERE APPLICABLE MUST REMAIN WITHIN DIMENSIONS		SIZE C	MATERIAL NO. SEE CHART	DOCUMENT NO. SD-76849-0003	SHEET NO. 1 OF 3		
THIS DRAWING CONTAINS INFORMATION THAT IS PROPRIETARY TO MOLEX INCORPORATED AND SHOULD NOT BE USED WITHOUT WRITTEN PERMISSION									

MATERIAL NUMBER	# OF COLUMNS	# OF DIFF PAIR	DIM "A"	DIM "B"	MODULE TYPE
76849-980*	8	32	24.3	14.05	END WALL
76849-580*	8	32	22.9	14.05	OPEN WALL

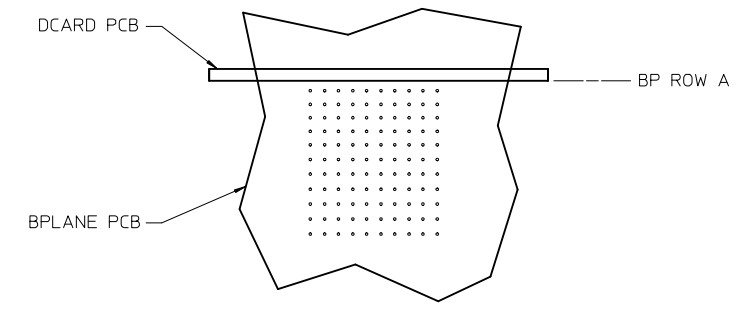


GUIDE RIGHT OPEN END

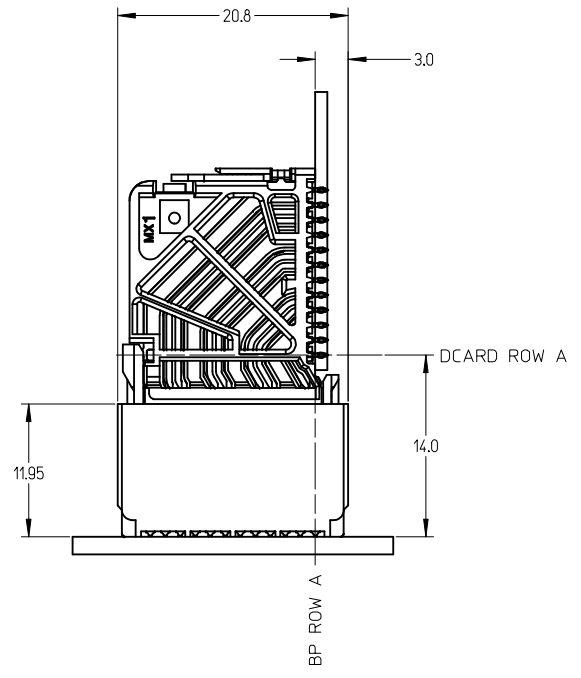
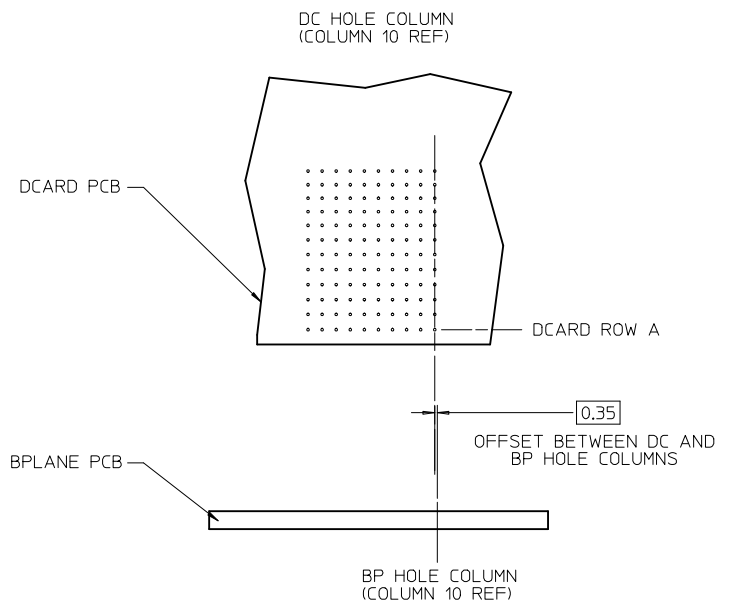


INITIAL RELEASE EC NO: UCP2013-0902 DRWINDYARVARA 2012/09/06 CHKD: APPR: JB INGHAM 2012/09/24 REV: A	QUALITY SYMBOLS ▼=0 ▽=0	GENERAL TOLERANCES (UNLESS SPECIFIED)		DIMENSION STYLE MM ONLY	SCALE 4:1	DESIGN UNITS METRIC	THIRD ANGLE PROJECTION		
		4 PLACES ± --- ± --- 3 PLACES ± --- ± --- 2 PLACES ± 0.13 ± --- 1 PLACE ± 0.25 ± ---	mm INCH	DRAWN BY JMENDOZA	DATE 2010/05/10	TITLE IMPACT ORTHO ROUTABLE 4 PAIR HEADER ASSEMBLY RIGHT GUIDE SALES DWG			
		ANGULAR ± 1/2°		CHECKED BY JB INGHAM	DATE 2010/05/10	APPROVED BY JB INGHAM			
		DRAFT WHERE APPLICABLE MUST REMAIN WITHIN DIMENSIONS		MATERIAL NO. SEE CHART	DATE 2012/09/24	MOLEX INCORPORATED		DOCUMENT NO. SD-76849-0003	SHEET NO. 2 OF 3

THIS DRAWING CONTAINS INFORMATION THAT IS PROPRIETARY TO MOLEX INCORPORATED AND SHOULD NOT BE USED WITHOUT WRITTEN PERMISSION



IMPACT ORTHO 4 PAIR
BOARD RELATIONSHIPS



INITIAL RELEASE EC NO: UCP2013-0902 DRWN: DVARVARA 2012/09/06 CHKD: APPR: JB INGHAM 2012/09/24	DESCRIPTION REV A	QUALITY SYMBOLS	GENERAL TOLERANCES (UNLESS SPECIFIED) mm INCH 4 PLACES ± --- ± --- 3 PLACES ± --- ± --- 2 PLACES ± 0.13 ± --- 1 PLACE ± 0.25 ± --- ANGULAR ± 1/2°	DIMENSION STYLE	SCALE	DESIGN UNITS	THIRD ANGLE PROJECTION TITLE IMPACT ORTHO ROUTABLE 4 PAIR HEADER ASSEMBLY RIGHT GUIDE SALES DWG MOLEX INCORPORATED DOCUMENT NO. SD-76849-0003 SHEET NO. 3 OF 3
		▽=0 ▽=0		MM ONLY	3:1	METRIC	
		DRAWN BY JMENDOZA DATE 2010/05/10		CHECKED BY JB INGHAM DATE 2010/05/10	APPROVED BY JB INGHAM DATE 2012/09/24	MATERIAL NO. SEE CHART	
		DRAFT WHERE APPLICABLE MUST REMAIN WITHIN DIMENSIONS			SIZE C	THIS DRAWING CONTAINS INFORMATION THAT IS PROPRIETARY TO MOLEX INCORPORATED AND SHOULD NOT BE USED WITHOUT WRITTEN PERMISSION	