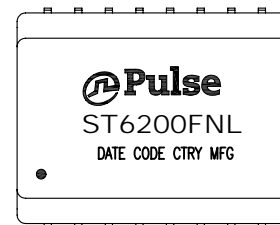


NOTES:

1. ROHS COMPLIANT
2. HEADER: PHENOLIC WITH FLAMMABILITY RATING UL 94V-0 OR BETTER.
3. STORAGE TEMPERATURE: -20°C TO +125°C
4. COMPLIANCE TO J-STD:
  - A. J-STD-002: SOLDERABILITY AT 245°C REFLOW PROFILE
  - B. J-STD-020: LEVEL 1, NO MOISTURE SENSITIVE
  - C. J-STD-075: R7, 245°C MAXIMUM THROUGH REFLOW SOLDER
5. TO ORDER TAPE & REEL PACKAGING ADD A "T" SUFFIX TO THE PART NUMBER(i.e ST6200FNL BECOMES ST6200FNLT).

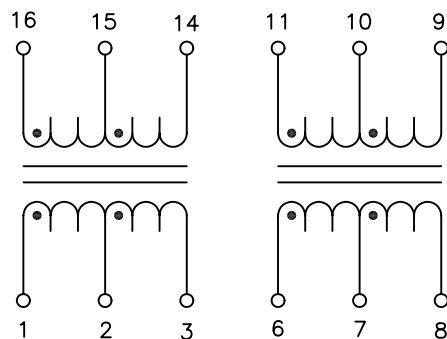


FINAL OUTLINE

© Copyright, 2014. Pulse Electronics Corp. All rights reserved. Pulse confidential & proprietary. (06/11/14)

PRODUCT DESCRIPTION	TLA DRAWING	PS DRAWING	SHEET	PART NO.	DATASHEET REV.
XFMR DUAL, SMT-1 SMD, 1CT:1CT	ST6200FNL-10	PS-2755.001-A	1 OF 3	ST6200FNL	A

ELECTRICAL CHARACTERISTICS AT +25°C UNLESS OTHER SPECIFIED

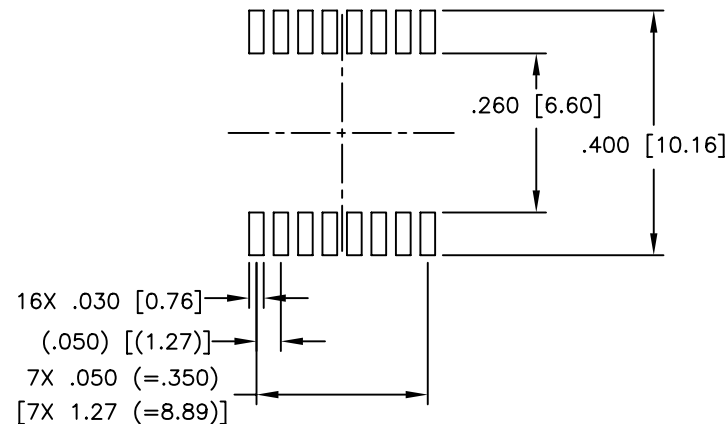
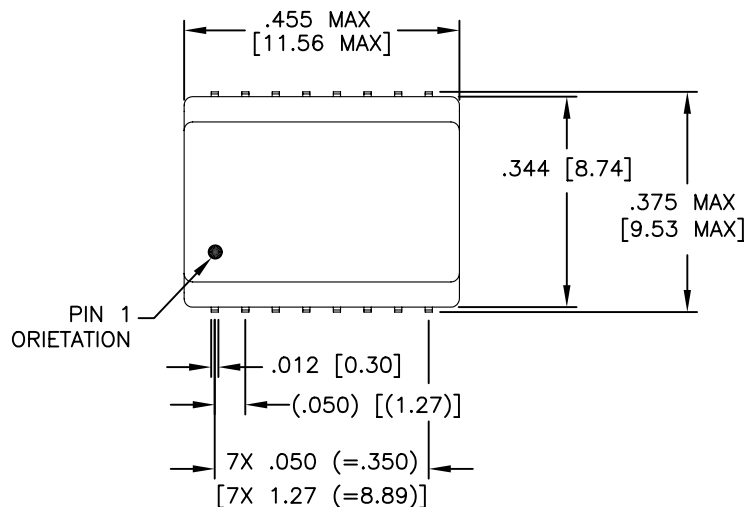


SCHEMATIC

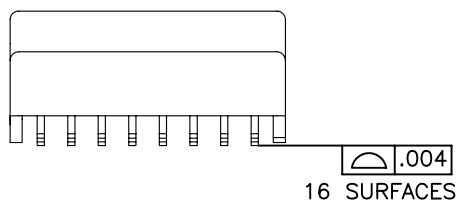
PARAMETER	SPECIFICATIONS
OPERATING TEMPERATURE	0°C ~ +70°C
URNS RATIO	1 : 1 ±2%
POLARITY	PER SCHEMATIC
URNS RATIO @ 300 KHz	(6-8):(11-9) = 1:1, ±2% (1-3):(16-14) = 1:1, ±2%
PRIMARY INDUCTANCE: @ 20 mV, 100 KHz	(1-3) = (6-8) = 28 uH MINIMUM
DC RESISTANCE	(1-3) = .200 OHMS MAXIMUM (14-16) = .200 OHMS MAXIMUM (6-8) = .200 OHMS MAXIMUM (9-11) = .200 OHMS MAXIMUM
LEAKAGE INDUCTANCE: @ 20 mV, 1 MHz	(1-3) WITH (16-14) SHORTED = 70 nH MAXIMUM (6-8) WITH (11-9) SHORTED = 70 nH MAXIMUM
CWW	(1-3) TO (14-16) = 4 pF MAXIMUM (6-8) TO (11-9) = 4 pF MAXIMUM
HI POT	1500 VRMS FOR 60 SECONDS

© Copyright, 2014. Pulse Electronics Corp. All rights reserved. Pulse confidential & proprietary. (06/11/14)

PRODUCT DESCRIPTION	TLA DRAWING	PS DRAWING	SHEET	PART NO.	DATASHEET REV.
XFMR DUAL, SMT-1 SMD, 1CT:1CT	ST6200FNL-10	PS-2755.001-A	2 OF 3	ST6200FNL	A



SUGGESTED LAND PATTERN



DIMENSIONS ARE IN INCHES [MILLIMETERS] WITH THE FOLLOWING TOLERANCES: [MILLIMETERS] ARE FOR REFERENCE ONLY.  
 .XX= ±.01 [±0.25]  
 .XXX= ±.005 [±0.13]

© Copyright, 2014. Pulse Electronics Corp. All rights reserved. Pulse confidential & proprietary. (06/11/14)

PRODUCT DESCRIPTION	TLA DRAWING	PS DRAWING	SHEET	PART NO.	DATASHEET REV.
XFMR DUAL, SMT-1 SMD, 1CT:1CT	ST6200FNL-10	PS-2755.001-A	3 OF 3	ST6200FNL	A