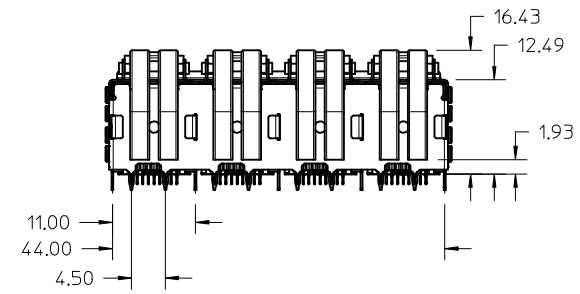
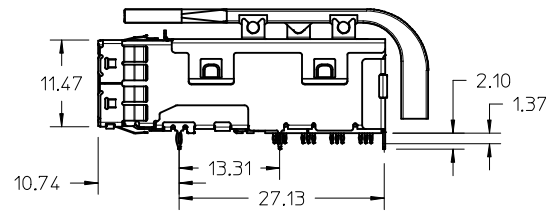
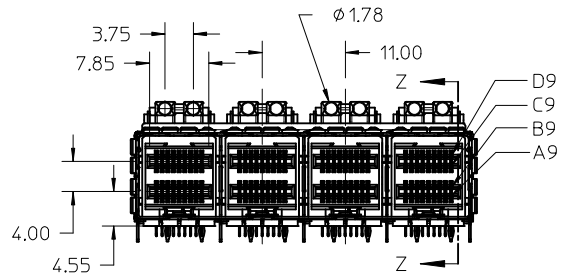


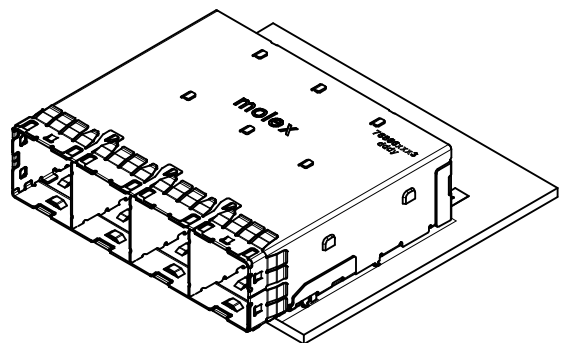
SECTION Z-Z



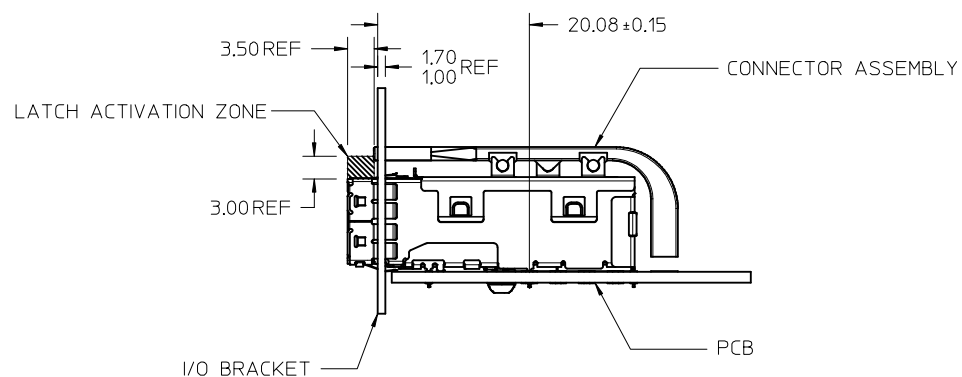
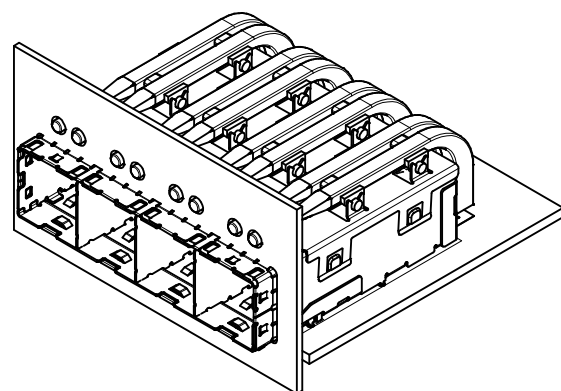
NOTES:

1. MATERIALS:
 - CONNECTOR HOUSING: HIGH TEMPERATURE THERMOPLASTIC GLASS FILLED, UL 94V-0
 - EMI CAGE: NICKEL SILVER ALLOY
 - EMI FINGERS: COPPER ALLOY
 - TERMINALS: COPPER ALLOY
 - LIGHT PIPES: HALOGEN FREE, CLEAR POLYCARBONATE
2. FINISHES:
 - EMI FINGERS: 0.50µM MIN NICKEL
 - CONTACT AREA: 0.76µM MIN GOLD OVER 2.54µM MIN NICKEL
 - TAIL AREA: 0.76µM-1.52µM TIN OVER 2.54µM MIN NICKEL
3. PRODUCT SPECIFICATION: PS-76866-001
4. PACKAGING SPECIFICATION: PK-76866-002
 - CONNECTORS WILL BE IN ONE BOX
 - LIGHT PIPE ASSEMBLIES WILL BE IN ONE BOX
 - BOTH BOXES WILL BE IN A MASTER CARTON
5. MATES WITH: MOLEX CABLE SERIES 111068 & 111073
6. RECOMMENDED MOUNTING HARDWARE: REFER TO APPLICATION SPECIFICATION AS-76866-001
7. PLUG MODULE PCB LAYOUT REFER TO SD-76866-9900

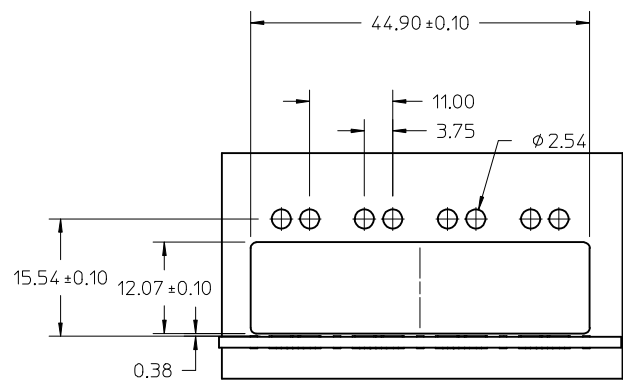
REV'D NOTES EC NO: UCP2015-5060 DRW: KALLASHAN 2015/06/01 CHKD: TMCLELLAND 2015/06/03 APPR: TMCLELL 2015/06/18	QUALITY SYMBOLS ▽=0 ▽=0 ▽=0	GENERAL TOLERANCES (UNLESS SPECIFIED)		DIMENSION STYLE MM ONLY	SCALE 2:1	DESIGN UNITS METRIC	THIRD ANGLE PROJECTION		
		4 PLACES ± --- ± ---	3 PLACES ± --- ± ---	2 PLACES ± 0.13 ± ---	1 PLACE ± 0.25 ± ---	0 PLACE ± ±	DRAWN BY DATE KLANG 2009/05/01		
		ANGULAR ±1/2°		DRAFT WHERE APPLICABLE MUST REMAIN WITHIN DIMENSIONS		CHECKED BY DATE TMCLELLAND 2013/10/16		APPROVED BY DATE MBANAKIS 2010/01/14	
		MATERIAL NO. 76866-0123		DOCUMENT NO. SD-76866-023		SHEET NO. 1 OF 5		THIS DRAWING CONTAINS INFORMATION THAT IS PROPRIETARY TO MOLEX INCORPORATED AND SHOULD NOT BE USED WITHOUT WRITTEN PERMISSION	



AS APPLIED TO PCB



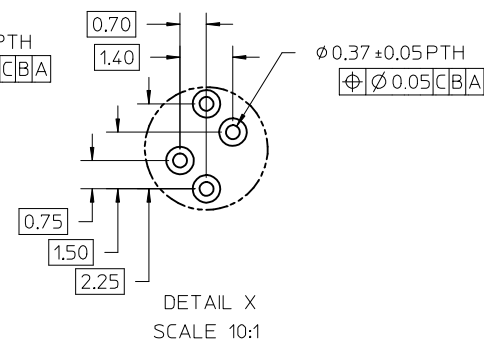
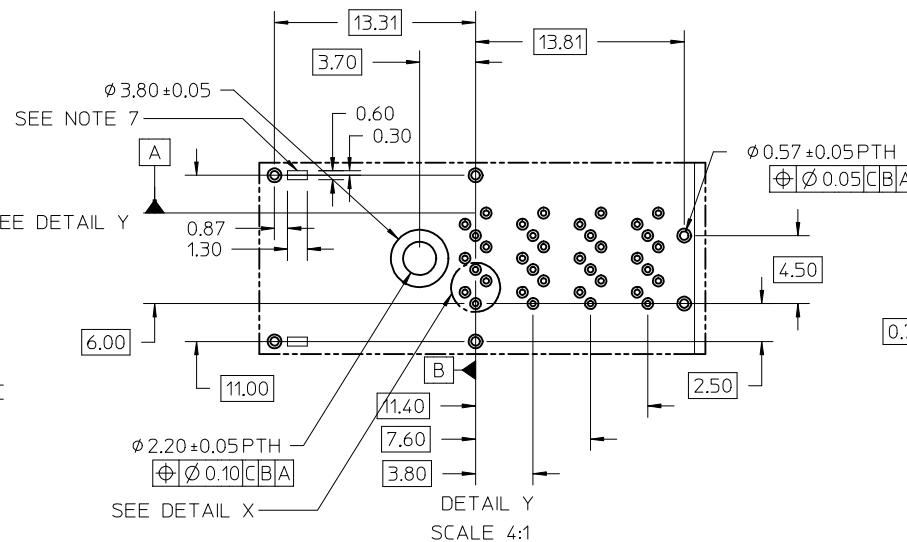
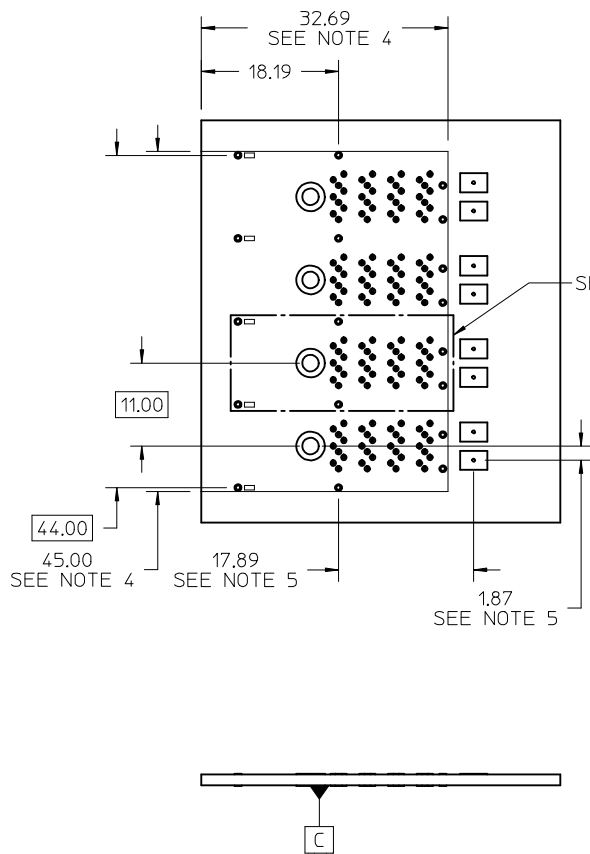
ASSEMBLED VIEW



I/O BRACKET CUT OUT
(BRACKET NOT SUPPLIED)

SEE SHEET 1 EC NO: UCP2015-5060 DRINKCALLAGHAN 2015/06/01 CHKD: TMCCLELLAND 2015/06/03 APPR: TMCCLELL 2015/06/18	QUALITY SYMBOLS	GENERAL TOLERANCES (UNLESS SPECIFIED)	DIMENSION STYLE	SCALE	DESIGN UNITS	THIRD ANGLE PROJECTION
	▽=0	mm INCH	MM ONLY	2:1	METRIC	
	▽=0	4 PLACES ± --- ± ---	DRAWN BY DATE			IPASS PLUS HD 1X4 ASSEMBLY LIGHT PIPE molex
	▽=0	3 PLACES ± --- ± ---	KLANG 2009/05/01	TITLE		
	▽=0	2 PLACES ± 0.13 ± ---	CHECKED BY DATE			DOCUMENT NO. SD-76866-023
▽=0	1 PLACE ± 0.25 ± ---	TMCCLELLAND 2013/10/16				
	0 PLACE ± ±	APPROVED BY DATE			SHEET NO.	
		MBANAKIS 2010/01/14			2 OF 5	
		MATERIAL NO.				
		ANGULAR ±1/2°				
		DRAFT WHERE APPLICABLE MUST REMAIN WITHIN DIMENSIONS	SEE SHEET 1			
			SIZE C	THIS DRAWING CONTAINS INFORMATION THAT IS PROPRIETARY TO MOLEX INCORPORATED AND SHOULD NOT BE USED WITHOUT WRITTEN PERMISSION		

RECOMMENDED FOOTPRINT



NOTES:

1. RECOMMENDED DRILL SIZE AND ANNULAR RING FOR 0.37 ϕ FINISHED PTH - REFER TO APPLICATION SPECIFICATION AS-76866-001
2. MINIMUM RECOMMENDED SPACING: 47.00MM
3. MINIMUM PCB THICKNESS: 1.57MM
4. CONNECTOR KEEPOUT AREA
5. LOCATION OF LED CENTER LINE
6. RECOMMENDED DRILL SIZE AND ANNULAR RING FOR 0.57 ϕ FINISHED PTH - REFER TO APPLICATION SPECIFICATION AS-76866-001
7. CAGE STAND OFF AREA, NO TRACES ON SURFACE OF PCB IN THESE AREAS

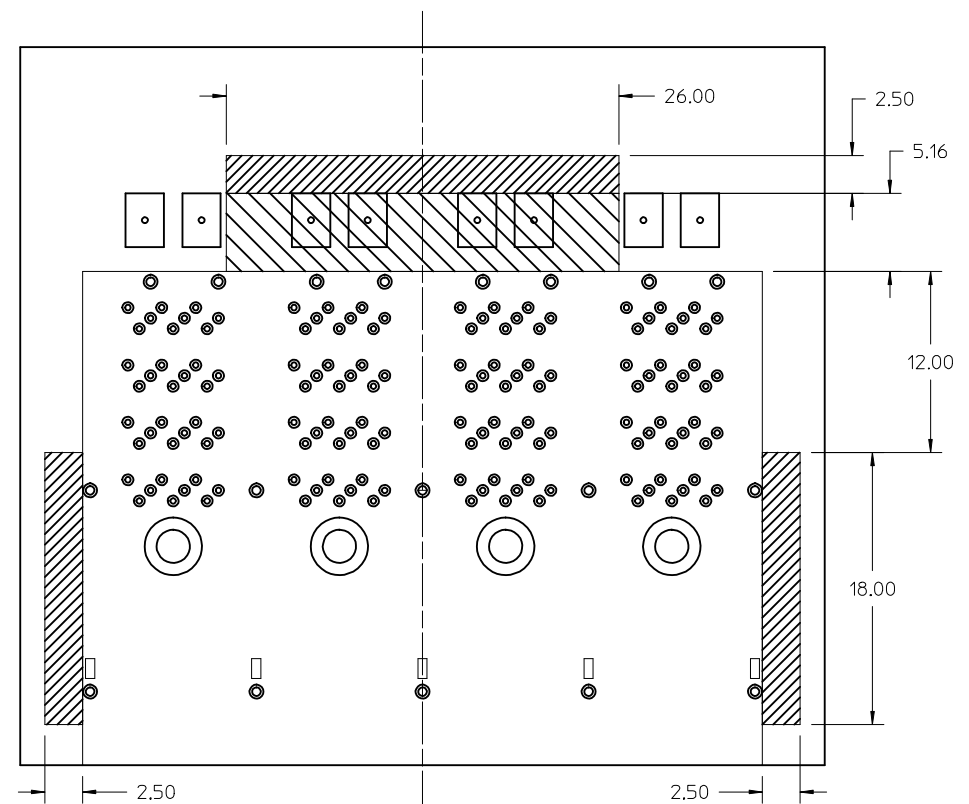
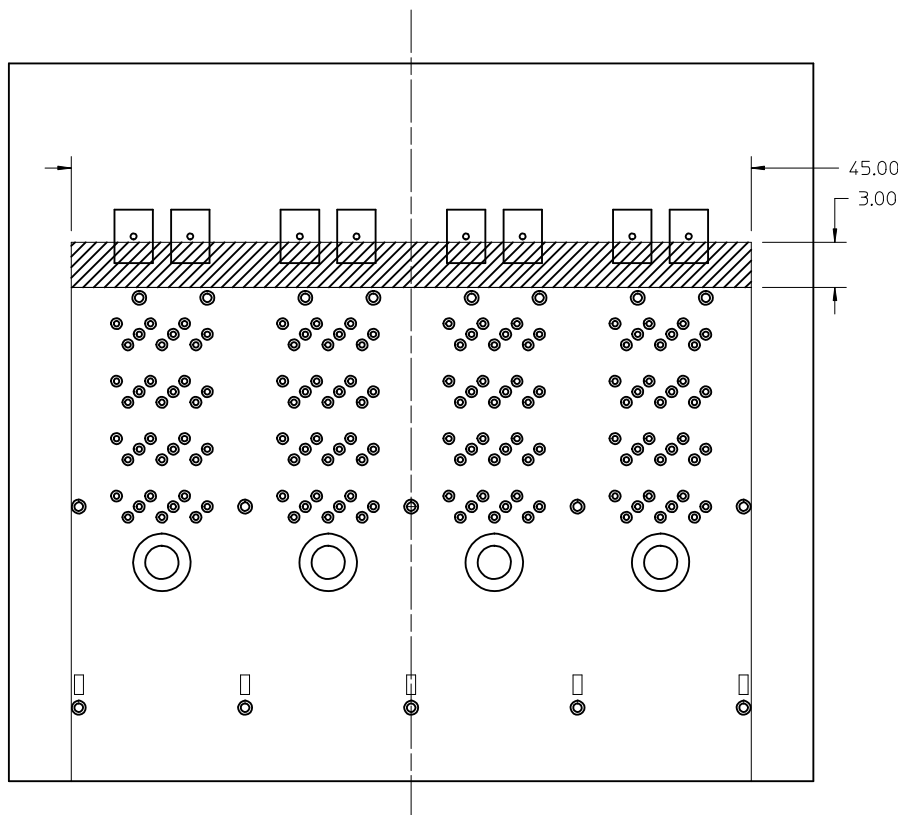
SEE SHEET 1 EC NO: UCP2015-5060 DRINKKALLAGHAN 2015/06/01 CHKD:TMCCLELLAND 2015/06/03 APPR:TMCCLELL 2015/06/18	QUALITY SYMBOLS ▽=0 ▽=0 ▽=0	GENERAL TOLERANCES (UNLESS SPECIFIED)		DIMENSION STYLE MM ONLY	SCALE 2:1	DESIGN UNITS METRIC	THIRD ANGLE PROJECTION	
				DRAWN BY KLANG	DATE 2009/05/01	TITLE IPASS PLUS HD 1X4 ASSEMBLY LIGHT PIPE		
				CHECKED BY TMCCLELLAND	DATE 2013/10/16	molex		SHEET NO. 3 OF 5
				APPROVED BY MBANAKIS	DATE 2010/01/14			
D6	REVISION	ANGULAR $\pm 1/2^\circ$		MATERIAL NO.		DOCUMENT NO. SD-76866-023		
DRAFT WHERE APPLICABLE MUST REMAIN WITHIN DIMENSIONS		SIZE C		THIS DRAWING CONTAINS INFORMATION THAT IS PROPRIETARY TO MOLEX INCORPORATED AND SHOULD NOT BE USED WITHOUT WRITTEN PERMISSION				

RECOMMENDED TOOLING KEEP OUT AREAS

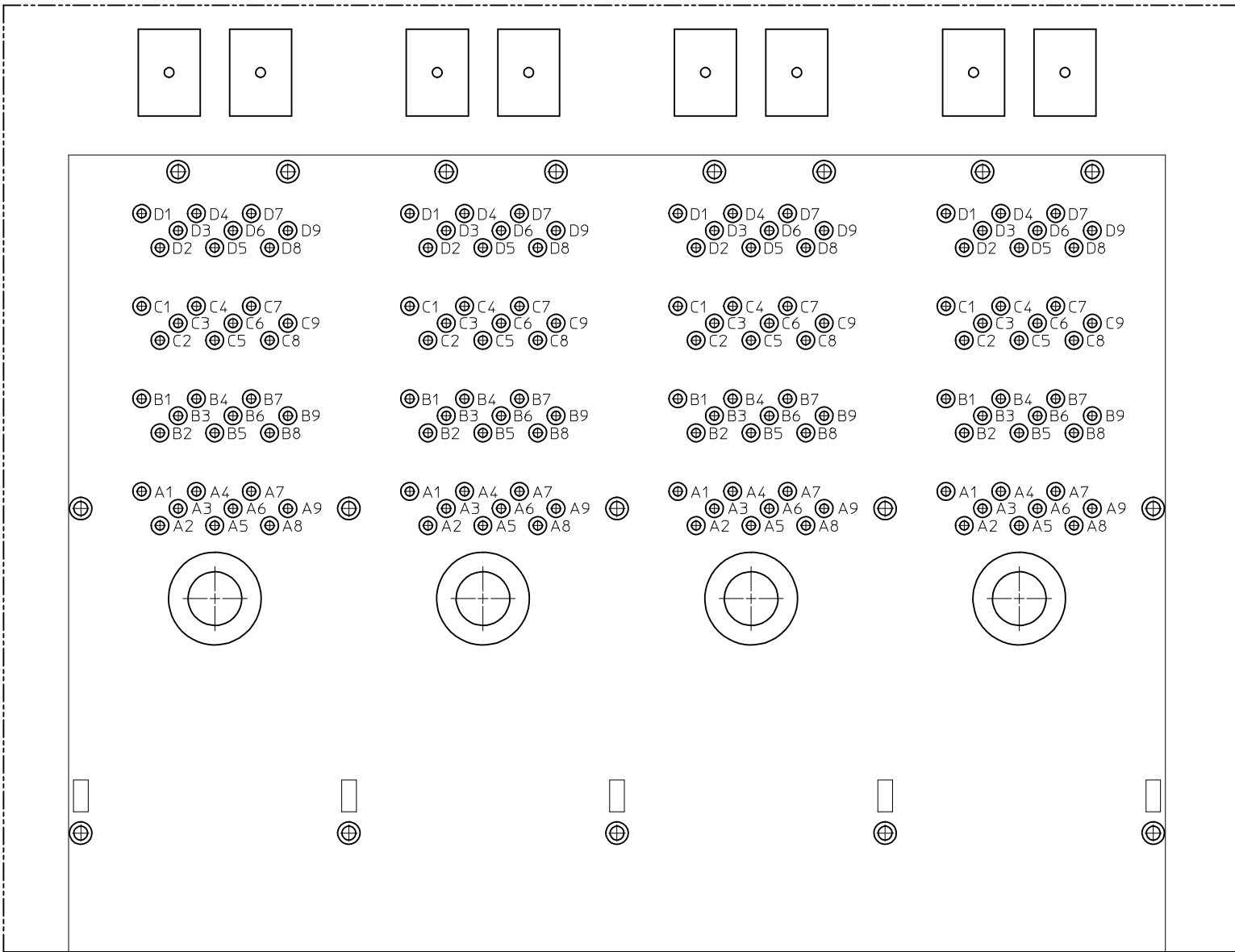
RECOMMENDED INSERTION TOOL
KEEP OUT AREA
NO COMPONENTS IN THIS AREA
MORE THAN 7.50 mm TALL



RECOMMENDED EXTRACTION TOOL
KEEP OUT AREA
NO COMPONENTS IN THESE AREAS
MORE THAN 5.00 mm TALL



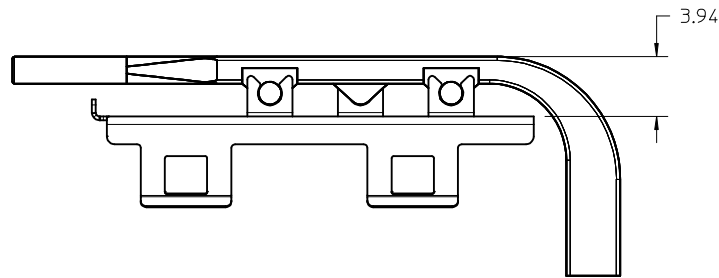
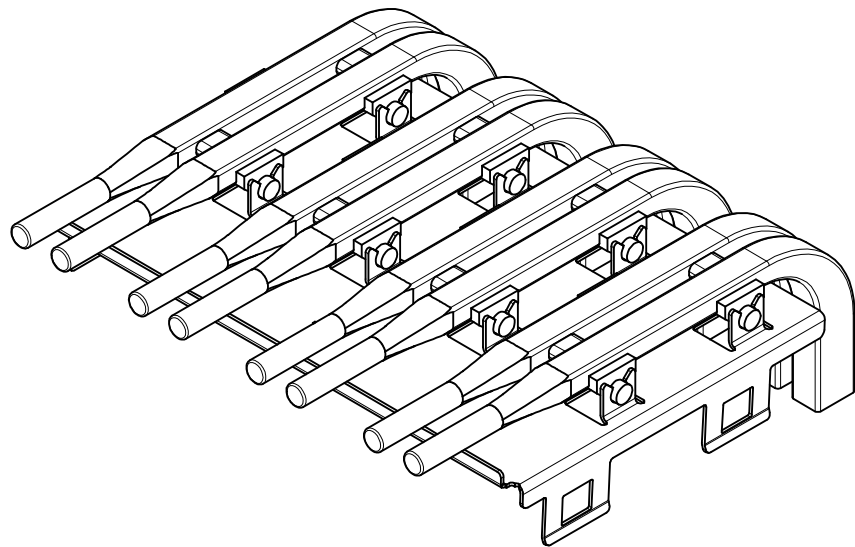
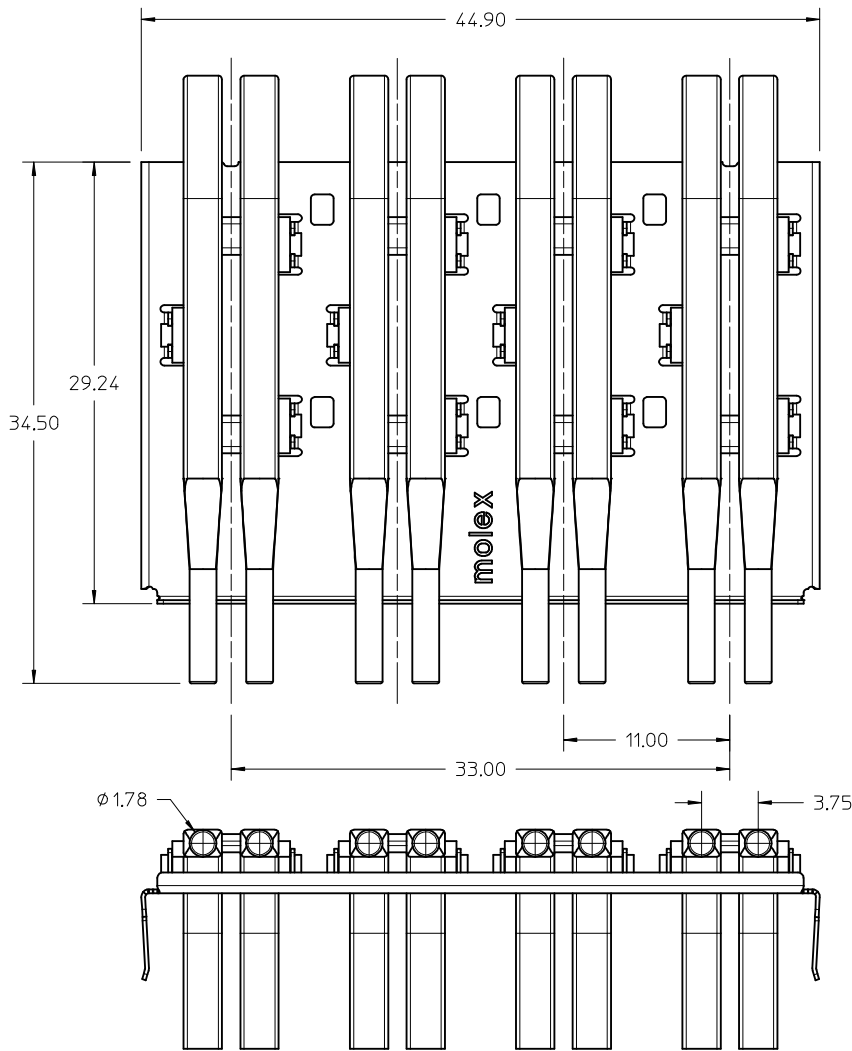
SEE SHEET 1 EC NO: UCP2015-5060 DRWNKCALLAGHAN 2015/06/01 CHKD:TMCCLELLAND 2015/06/03 APPR:TMCCLELL 2015/06/18	DESCRIPTION REV	QUALITY SYMBOLS	GENERAL TOLERANCES (UNLESS SPECIFIED)	DIMENSION STYLE MM ONLY	SCALE 4:1	DESIGN UNITS METRIC	THIRD ANGLE PROJECTION
		▽=0	mm INCH	DRAWN BY DATE KLANG 2009/05/01	TITLE IPASS PLUS HD 1X4 ASSEMBLY LIGHT PIPE		
		▽=0	4 PLACES ± --- ± ---	CHECKED BY DATE TMCCLELLAND 2013/10/16	molex		
		▽=0	3 PLACES ± --- ± ---	APPROVED BY DATE MBANAKIS 2010/01/14			
D6		1 PLACE ± 0.13 ± ---	ANGULAR ±1/2°	SEE SHEET 1	DOCUMENT NO. SD-76866-023	SHEET NO. 4 OF 5	
		0 PLACE ± ±	DRAFT WHERE APPLICABLE MUST REMAIN WITHIN DIMENSIONS	SIZE C	THIS DRAWING CONTAINS INFORMATION THAT IS PROPRIETARY TO MOLEX INCORPORATED AND SHOULD NOT BE USED WITHOUT WRITTEN PERMISSION		



Partial1
SCALE 8:1

CIRCUIT IDENTIFICATION

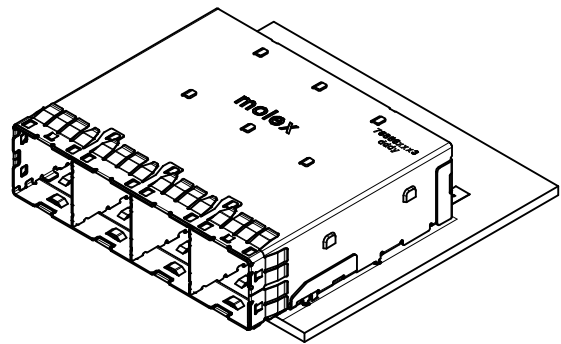
SEE SHEET 1 EEC NO: UCP2015-5060 DRWNK:CALLAGHAN 2015/06/01 CHKD:TMCCLELLAND 2015/06/03 APPR:TMCCLELL 2015/06/18	QUALITY SYMBOLS	GENERAL TOLERANCES (UNLESS SPECIFIED)	DIMENSION STYLE	SCALE	DESIGN UNITS	THIRD ANGLE PROJECTION
	▽=0	mm INCH	MM ONLY	8:1	METRIC	
	▽=0	4 PLACES ± --- ± ---	DRAWN BY DATE	TITLE		
	▽=0	3 PLACES ± --- ± ---	KLANG 2009/05/01	IPASS PLUS HD 1X4 ASSEMBLY LIGHT PIPE		
		2 PLACES ± 0.13 ± ---	CHECKED BY DATE	molex		
		1 PLACE ± 0.25 ± ---	TMCCLELLAND 2013/10/16	DOCUMENT NO.		
		0 PLACE ± ±	APPROVED BY DATE	SD-76866-023		
		ANGULAR ±1/2°	MBANAK I S 2010/01/14	SHEET NO.		
		DRAFT WHERE APPLICABLE MUST REMAIN WITHIN DIMENSIONS	MATERIAL NO.	5 OF 5		
D6	REV		SEE SHEET 1	THIS DRAWING CONTAINS INFORMATION THAT IS PROPRIETARY TO MOLEX INCORPORATED AND SHOULD NOT BE USED WITHOUT WRITTEN PERMISSION		



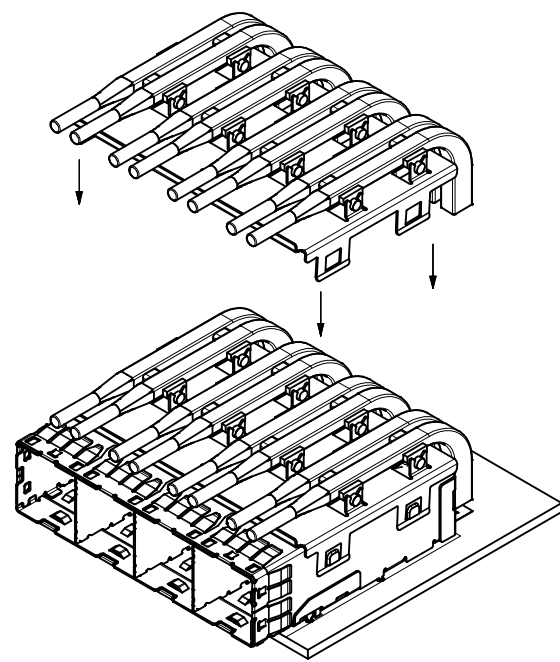
NOTES:

1. MATERIALS:
LIGHT PIPE: HALOGEN FREE, CLEAR POLYCARBONATE
COVER: STAINLESS STEEL ALLOY
2. PACKAGING SPECIFICATION: PK-76994-001
3. MATES WITH: 76866-00*3

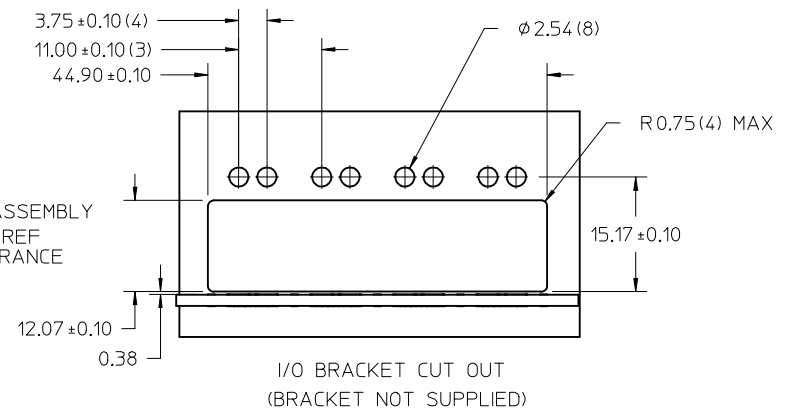
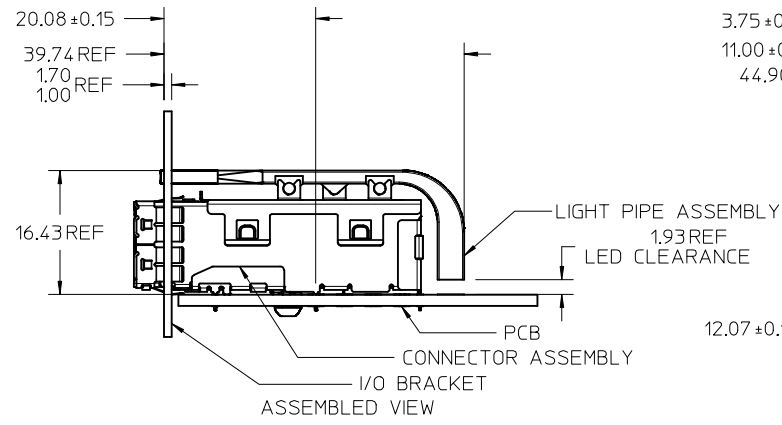
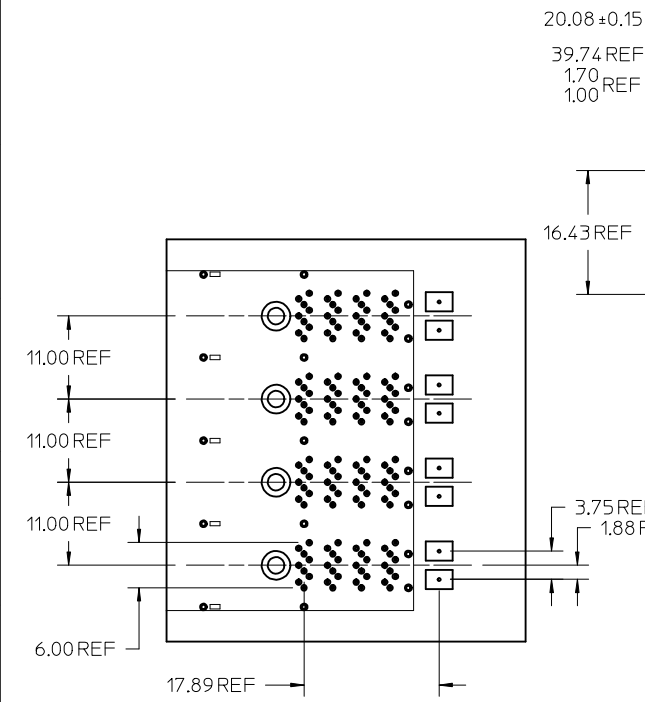
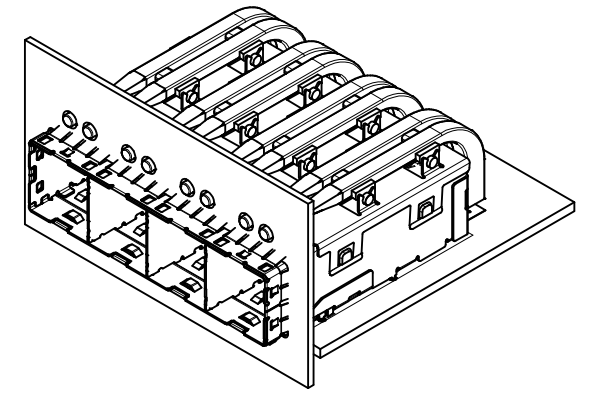
UPDATED MATL SPEC EC NO: UCP2014-1665 IDRW:TMCCLELL 2013/10/15 CHKD:TMCCLELLAND 2013/10/16 APPR:MBANAKIS 2013/10/17	QUALITY SYMBOLS 	GENERAL TOLERANCES (UNLESS SPECIFIED)		DIMENSION STYLE MM ONLY	SCALE 4:1	DESIGN UNITS METRIC	THIRD ANGLE PROJECTION		
		4 PLACES ± --- ± ---	3 PLACES ± --- ± ---	2 PLACES ± 0.13 ± ---	1 PLACE ± 0.25 ± ---	0 PLACE ± ±	DRAWN BY DATE KLANG 2009/05/04		
		ANGULAR ±1/2°		DRAFT WHERE APPLICABLE MUST REMAIN WITHIN DIMENSIONS		CHECKED BY DATE TMCCLELLAND 2013/10/16		APPROVED BY DATE MBANAKIS 2010/01/14	
		MATERIAL NO. 76994-0004		DOCUMENT NO. SD-76994-004		SHEET NO. 1 OF 2			



CONNECTOR AS APPLIED TO PCB



LIGHT PIPES AS APPLIED TO CONNECTOR



SEE SHEET 1 EC NO: UCP2014-1665 DRAWN: MCLELL 2013/10/15 CHKD: MCLELLAND 2013/10/16 APPR: MBANAKIS 2013/10/17	QUALITY SYMBOLS	GENERAL TOLERANCES (UNLESS SPECIFIED)	DIMENSION STYLE	SCALE	DESIGN UNITS	THIRD ANGLE PROJECTION
	▽=0	mm INCH	MM ONLY	2:1	METRIC	
	▽=0	4 PLACES ± --- ± ---	DRAWN BY DATE	TITLE		
	▽=0	3 PLACES ± --- ± ---	KLANG 2009/05/04	IPASS PLUS HD		
	2 PLACES ± 0.13 ± ---	CHECKED BY DATE	1X4 PIGHT PIPE & CLIP			
	1 PLACE ± 0.25 ± ---	TMCCLELLAND 2013/10/16	ASSEMBLY			
	ANGULAR ± 1/2°	APPROVED BY DATE	MOLEX INCORPORATED			
		MBANAKIS 2010/01/14	SD-76994-004			
		MATERIAL NO.	DOCUMENT NO.			
			SHEET NO.			
			2 OF 2			
			THIS DRAWING CONTAINS INFORMATION THAT IS PROPRIETARY TO MOLEX INCORPORATED AND SHOULD NOT BE USED WITHOUT WRITTEN PERMISSION			