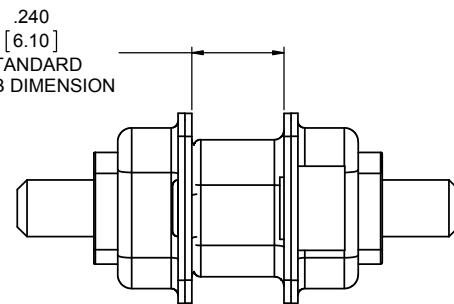
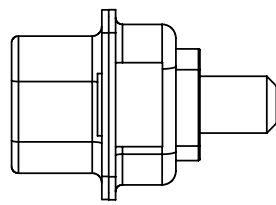
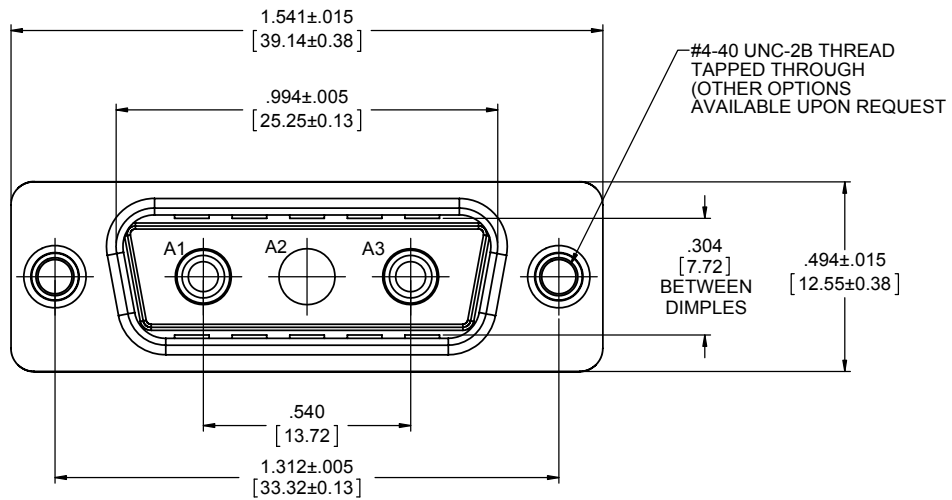
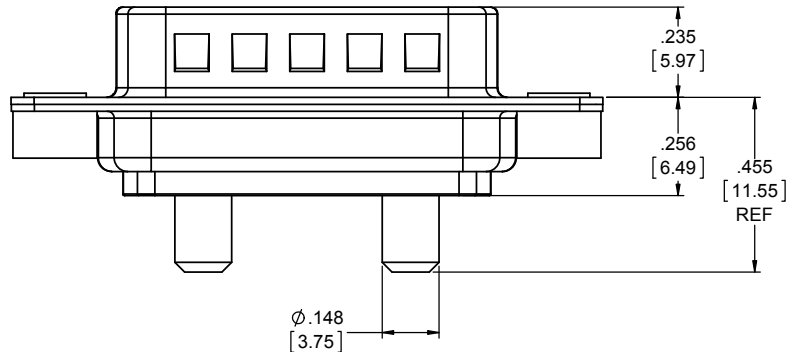


REVISIONS			
REV	DESCRIPTION, ECN, EAR NO.	DATE	APP'D
A	PROPOSAL DRAWING (EAR 13914)	JUL20/11	S.M

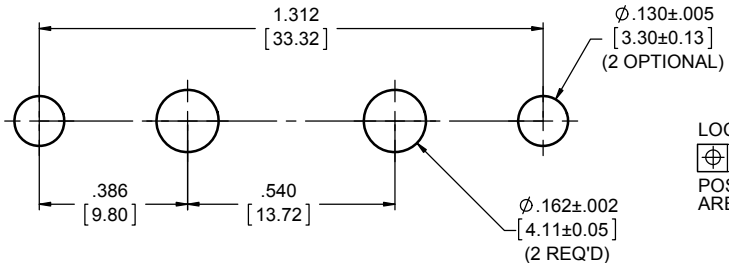


END VIEW IN MATED CONDITION (MATED TO P/N LCC17-A3W3SE-2N1)



NOTE:

- MATERIALS: ALL MATERIALS ARE RoHS COMPLIANT PER EU DIRECTIVE 2002/95/EC AND AMENDMENTS.
 - SHELLS - STAMPED STEEL, TIN OVER NICKEL PLATED
 - INSULATOR - ENGINEERING THERMOPLASTIC, GLASS REINFORCED, HIGH TEMPERATURE RESISTANT, UL FLAMMABILITY RATING 94V-0, BLACK
 - CONTACTS - COPPER ALLOY, PLATED WITH NICKEL FOLLOWED BY 30 µ" [0.76 µm] GOLD ON THE MATING AREA AND GOLD ON THE TAILS
- ELECTRICAL CHARACTERISTICS
 - CURRENT RATING: 55 A PER CONTACT
 - CONTACT RESISTANCE: 5 MILLIOHMS MAX
 - OPERATING TEMPERATURE: -40°C TO +105°C



LOCATE HOLES
 $\text{⌀} 0.13[.005]$ DIA
POSITION DIMENSIONS ARE BASIC

PART NUMBER: LCC17-A3W3PE-4N1

Amphenol Canada Corp.

LCC17 COOLPOWER D-SUB CONNECTOR, 3W3 ARRANGEMENT, PIN PCB TAIL POWER CONTACT, #4-40 THREAD, CONTACTS IN A1 & A3 ONLY, RoHS COMPLIANT

UNLESS SPECIFIED OTHERWISE	DRAWN	S.CAELERS	JUL20/11
PRIMARY UNITS INCHES	CHECKED	S.MUGAN	JUL20/11
SECONDARY MILLIMETERS	M.E. APP'D		
REFERENCE IN PARENTHESES	Q.A. APP'D		
GENERAL TOLERANCES	DWG APPR.		
1 DECIMAL PLACE	ENG. REL. NO.	EAR 13914	
2 DECIMAL PLACES	REF.		
3 DECIMAL PLACES	THIRD ANGLE PROJECTION		
ANGULAR DEGREES	DO NOT SCALE DRAWING		

DWG. NO.	REV
P-LCC17-A3W3PE-4N1	A
CODE ID NO. 03554	DWG SIZE: C
SCALE: 4:1	SHEET 1 OF 1