

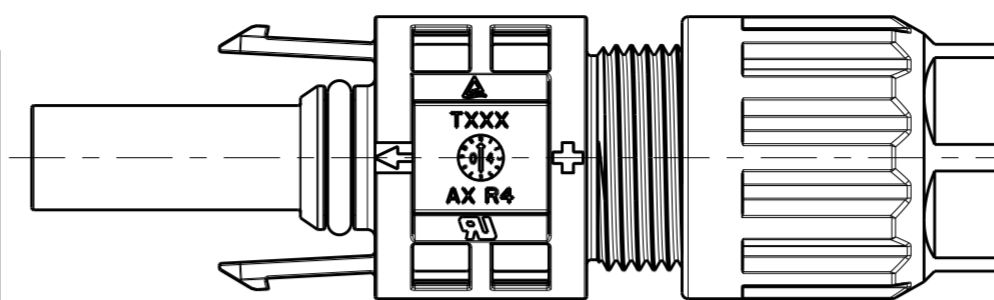
LOC	DIST	REVISIONS			
P	LTR	DESCRIPTION	DATE	DWN	APVD
A5		ADD PV4-S1 RATING INFORMATION	25MAY2016	LW	PY
A6		ADD NOTE 4	18JUL2016	SG	PY

1 SPECIFICATION:

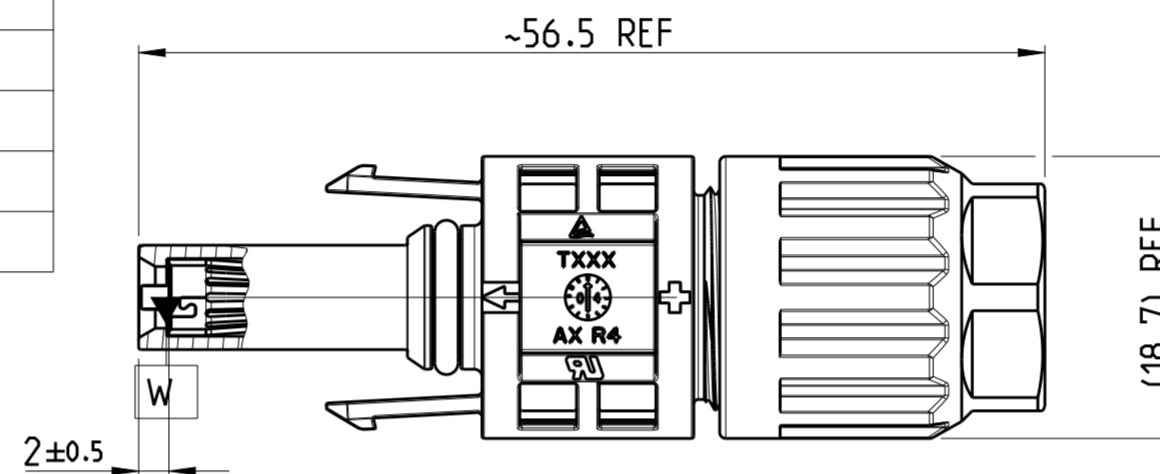
CABLE CONDUCTOR SIZE	2.5MM2/14AWG	4.0MM2/AWG12	6.0MM2/AWG10
RATED CURRENT (AT 85°C AMBIENT)	UL 15A DC TUV 25A DC	UL 20A DC TUV 35A DC	UL 30A DC TUV 40A DC
RATED VOLTAGE	PV4-S: UL 1000V DC / TUV 1000V DC PV4-S1: UL 1500V DC / TUV 1500V DC		
DEGREE OF PROTECTION, MATED	IP 68 (1m, 24h)		
AMBIENT TEMPERATURE RANGE	-40°C ~ +85°C		
OVERVOLTAGE CATEGORY	III		
POLLUTION DEGREE	2		
CONTACT RESISTANCE	0.5mΩ		
CONTACT MATERIAL	COPPER, TIN PLATED		
INSULATION MATERIAL	THERMOPLASTIC, UL94-V0		
SAFETY CLASS	II		
STRIP LENGTH	6.5mm		
CABLE JACKET DIAMETER	5.5~7.8mm		

2 CONTACT SHOWN UNINSTALLED, FOR REFERENCE ONLY

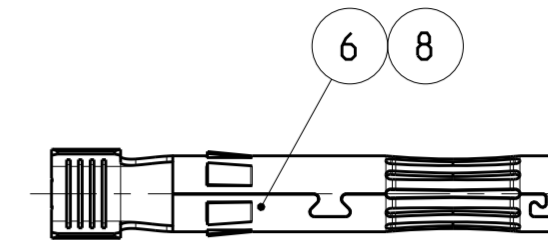
- 3 USE ONLY CRIMPING TOOL OF TE CONNECTIVITY TO CRIMP CONTACT.  
 A. CRIMPING TOOL PN 6-1579014-9 WILL BE USED FOR CRIMPING THE CONTACTS HAVING WIRE SIZE 2.5mm<sup>2</sup> AND 4.0mm<sup>2</sup>.  
 B. CRIMPING TOOL PN 6-1579014-8 WILL BE USED FOR CRIMPING THE CONTACTS HAVING WIRE SIZE 4.0mm<sup>2</sup> AND 6.0mm<sup>2</sup>.  
 4. PLEASE SEE 114-137077 FOR ASSEMBLY PROCESS



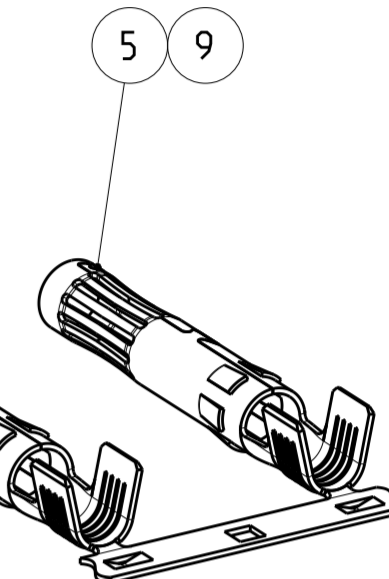
PREASSEMBLED VIEW AS SHOWN



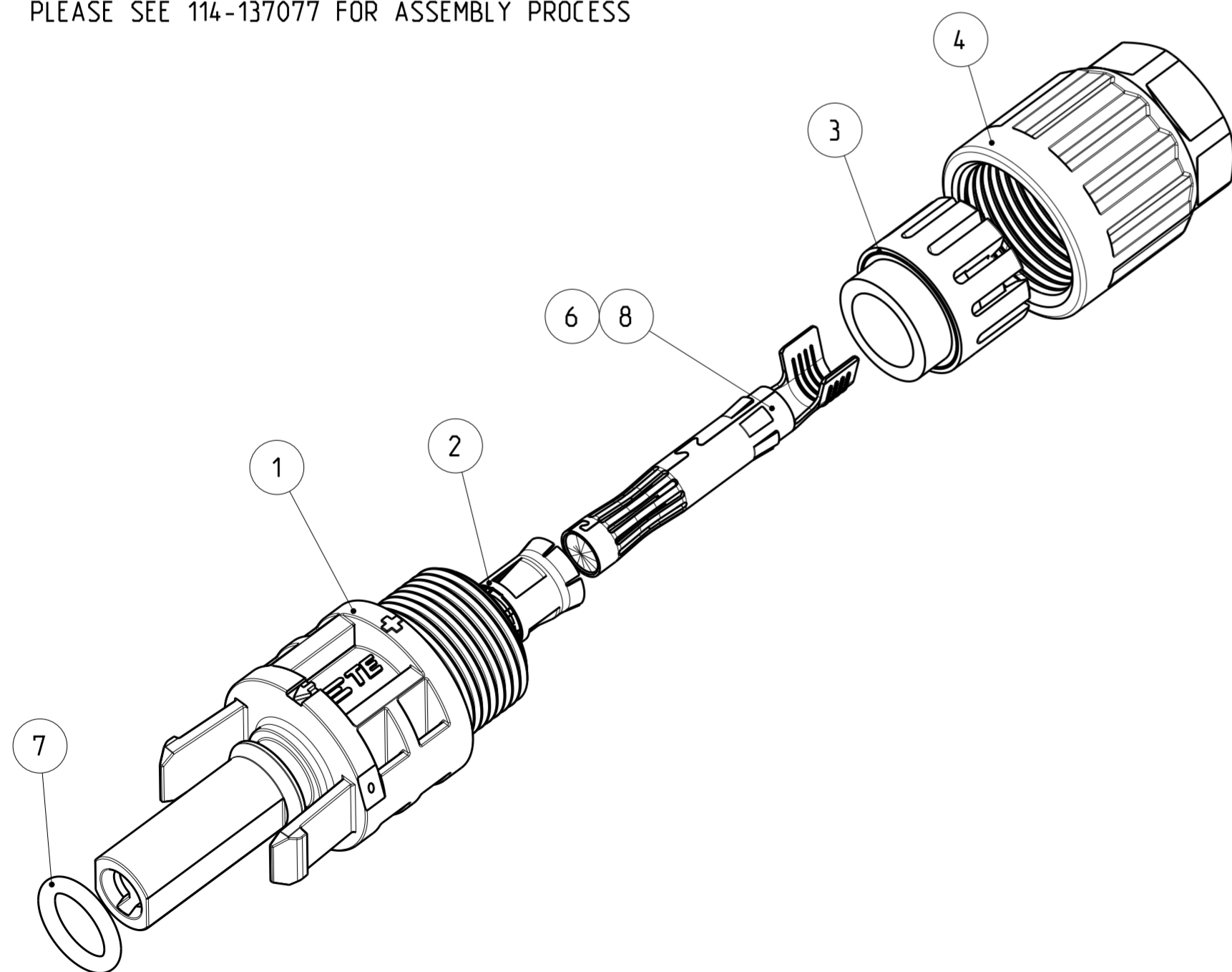
ASSEMBLED VIEW AS SHOWN



SOCKET CONTACT (LOOSE PIECE)



STRIP CONTACT COME OFF TO ASSEMBLY  
 2000 PCS CONTACTS MOUNTED REEL  
 REEL TYPE SUBJECT TO ALTERNATION -1 AS SHOWN



CONNECTOR ASSEMBLY SHOWN EXPLODED VIEW FOR REFERENCE ONLY

2- -4	1- -4	-4	2- -2	2- -1	1- -2	1- -1	-2	-1	PART NUMBER	
100	2000	1000	100	2000	1000				PACKAGING QTY.	
	5.5~6.0		5.5~6.0	6.0~7.8	5.5~6.0	6.0~7.8	5.5~6.0	6.0~7.8	CABLE JACKET DIAMETER in mm	
-	1	-	-	-	-	-	-	-	SOCKET CONTACT, 2.5mm <sup>2</sup> /14AWG, STRIP	9
1	-	1	-	-	-	-	-	-	SOCKET CONTACT, 2.5mm <sup>2</sup> /14AWG, LOOSE PIECE	8
1	1	1	1	1	1	1	1	1	O-RING, 7.1X1.55 (RED)	7
-	-	-	1	1	-	-	1	1	SOCKET CONTACT, 4~6mm <sup>2</sup> /10~12AWG, LOOSE PIECE	6
-	-	-	-	-	1	1	-	-	SOCKET CONTACT, 4~6mm <sup>2</sup> /10~12AWG, STRIP	5
1	1	1	1	1	1	1	1	1	CABLE SCREW JOINT	4
1	1	1	1	1	1	1	1	1	PINCH RING SEAL INMOLDED, ASSY	3
1	1	1	1	1	1	1	1	1	METAL CLIP	2
1	1	1	1	1	1	1	1	1	PV4-S SOCKET CONNECTOR, PLUS CODED	1
QUANTITY PER ASSEMBLY									DESCRIPTION	ITEM No

THIS DRAWING IS A CONTROLLED DOCUMENT.

DIMENSIONS: mm	TOLERANCES UNLESS OTHERWISE SPECIFIED:	DWN: WANG LORRY 13JUN2014	CHK: TAO DANIEL 13JUN2014	APVD: PETER YIN 13JUN2014	NAME: <b>STE</b> TE Connectivity
	0 PLC ±	PRODUCT SPEC: 108-137077		SOCKET CONNECTOR KITS	
	1 PLC ±	APPLICATION SPEC: 114-137077		PV4-S/S1 CONNECTOR, PV4-SF*/S1F*	
	2 PLC ±	WEIGHT: -		SIZE: A2	CAGE CODE: 00779
	3 PLC ±	CUSTOMER DRAWING		DRAWING NO: C-2270025	RESTRICTED TO: -
	4 PLC ±	SCALE: 1:1		SHEET: 1 OF 1	REV: A6
	ANGLES ±				
	FINISH ±				