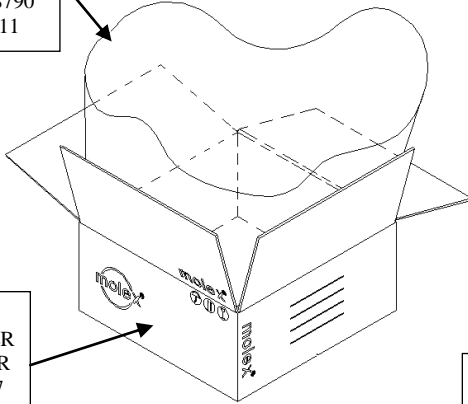




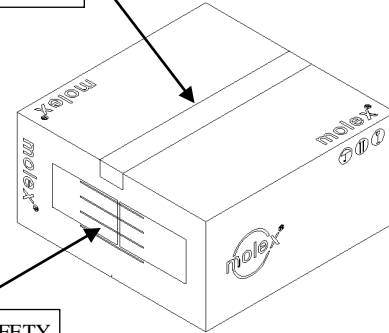
PACKAGING SPECIFICATION

LINER BAG PART
NUMBER 31300-8790
PER ES-40000-7011



CARTON
PART NUMBER
96707-0014 PER
ES-40000-7007

ADHESIVE TAPE PER
ES-40000-7013



PRODUCT ID AND SAFETY
LABEL PER ES-40000-7012

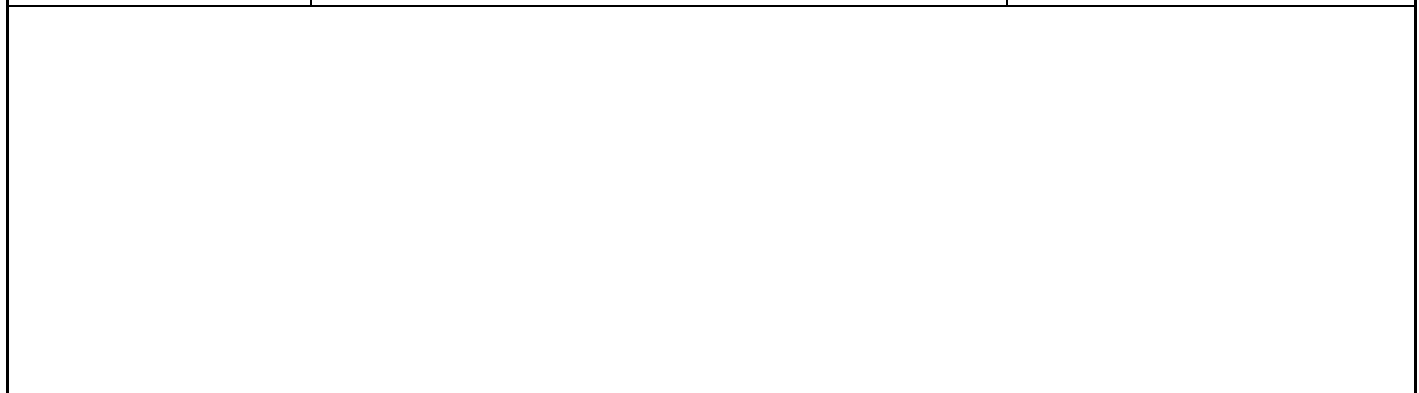
- 1) CARTON BOTTOMS CLOSED WITH STAPLES, TOPS TO BE SEALED WITH A 2" WIDE ADHESIVE TAPE.
- 2) USE PRESCRIBED BOX AND LINER BAG PER CHART BELOW. BAG MUST BE SEALED WITH KWIK LOK YPG PLAIN SEAL OR EQUIVALENT.
- 3) MOISTURIZATION ON PARTS WHEN NOTED. DEIONIZED WATER APPROXIMATELY, 2% BY WEIGHT PER BAG.

REVISION: D	ECR/ECN INFORMATION: EC No: UCP2012-2773 DATE: 2012-02-23	TITLE: BULK PACKAGING SPECIFICATION FOR 2139 SERIES	SHEET No. 1 of 2
DOCUMENT NUMBER: PK-2139-001	CREATED / REVISED BY: MMSTROH	CHECKED BY: MKIPPER	APPROVED BY: FSMITH



PACKAGING SPECIFICATION

CIRCUIT SIZE	MOISTURIZE (SEE NOTE 3)	PARTS PER CARTON (SPQ)
2	NO	10,000
3	NO	7,500
4	NO	6,000
5	NO	4,500
6	NO	3,000
7	NO	3,000
8	NO	3,000
9	NO	2,000
10	NO	2,000
11	NO	2,000
12	NO	1,500
13	NO	1,500
14	NO	1,500
15	NO	1,000
16	NO	1,000
17	NO	1,000
18	NO	750
19	NO	750
20	NO	750
21	NO	500
22	NO	500
23	NO	500
24	NO	500



REVISION: D	ECR/ECN INFORMATION: EC No: UCP2012-2773 DATE: 2012-02-23	TITLE: BULK PACKAGING SPECIFICATION FOR 2139 SERIES	SHEET No. 2 of 2
DOCUMENT NUMBER: PK-2139-001	CREATED / REVISED BY: MMSTROH	CHECKED BY: MKIPPER	APPROVED BY: FSMITH