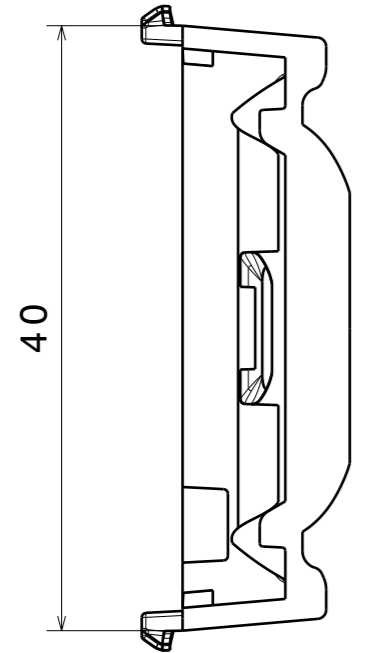
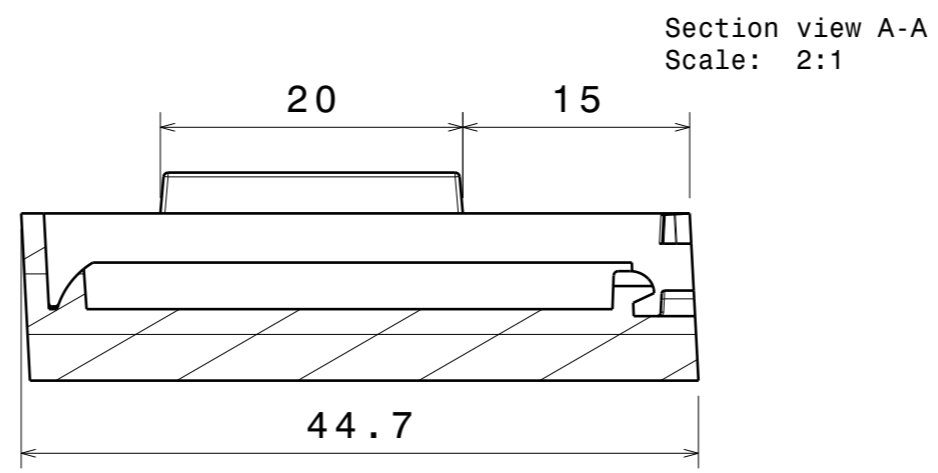


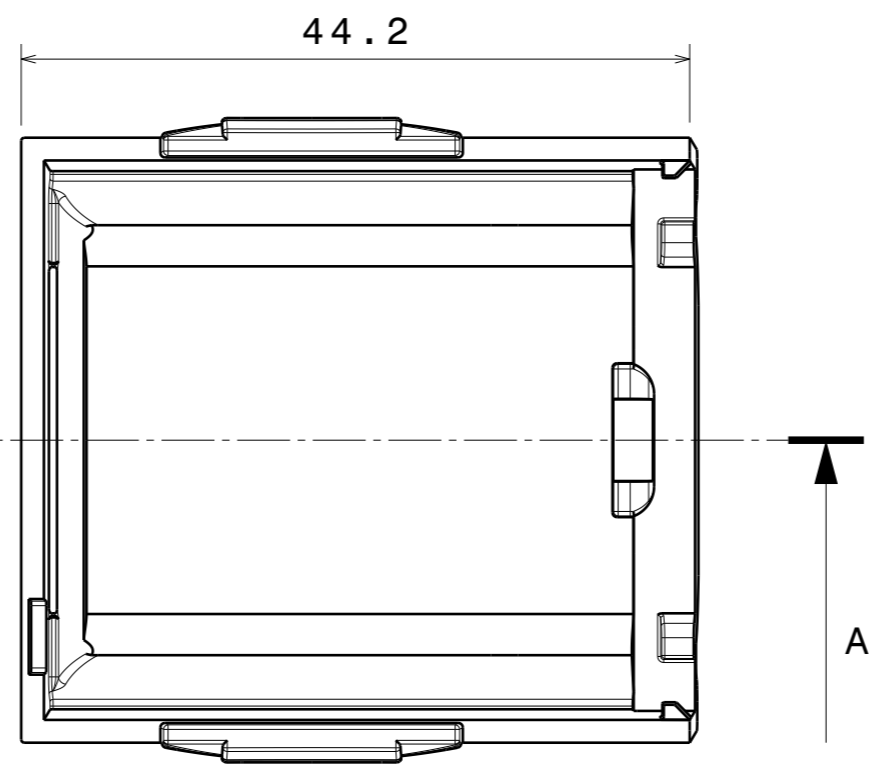
Isometric view  
Scale: 1:1



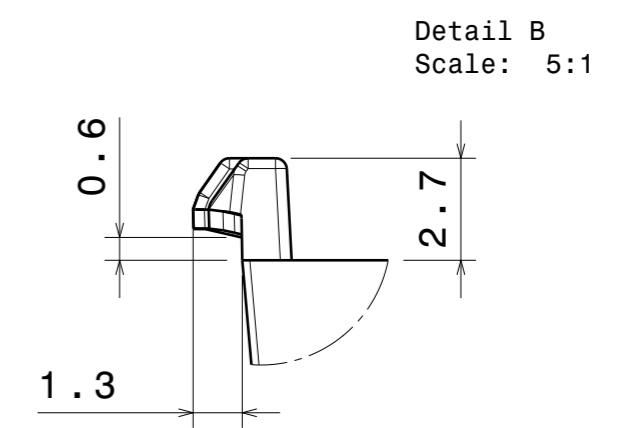
40



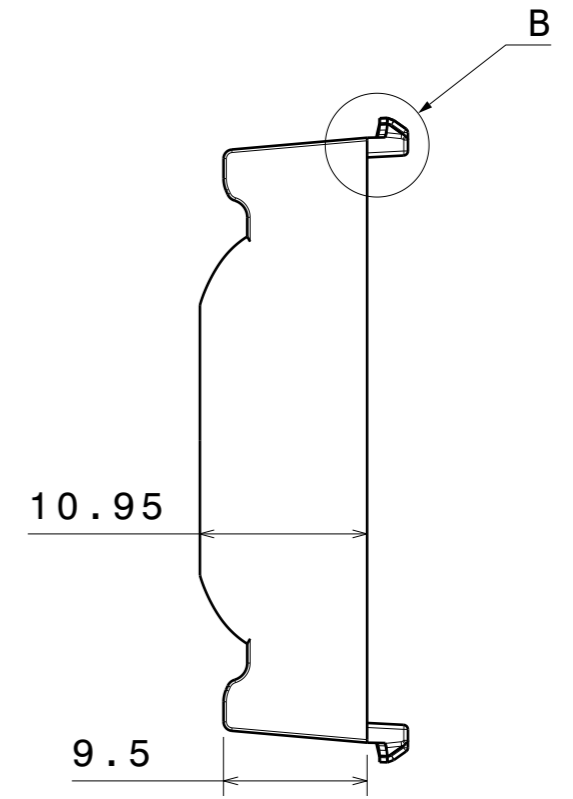
Section view A-A  
Scale: 2:1



44.2



Detail B  
Scale: 5:1



10.95

9.5

| PART   | TYPE | MATERIAL | COLOR / COATING |
|--------|------|----------|-----------------|
| F16453 |      | PC       | clear           |

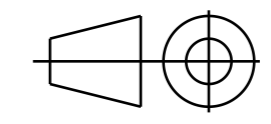
**MECHANICAL DRAWING**

PRODUCT  
**F16453\_LINNEA-60-END-B-ML**



Plastic moulding general tolerances according to DIN 16901-130 and applies if not otherwise shown in the drawing.  
Silicone moulding general tolerances according to ISO 3302-1 Class M3 and applies if not otherwise shown in the drawing.

FIRST ANGLE PROJECTION:



This drawing is the property of LEDiL Oy. It may not be copied or otherwise distributed without prior written permission from LEDiL Oy.

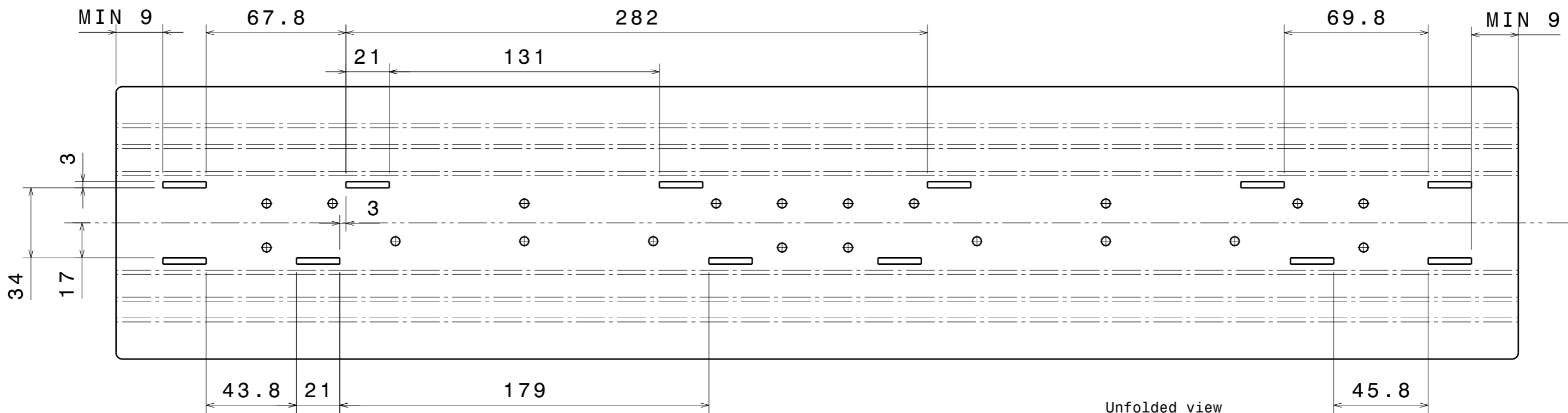
SCALE 2:1

WEIGHT 7,4 g

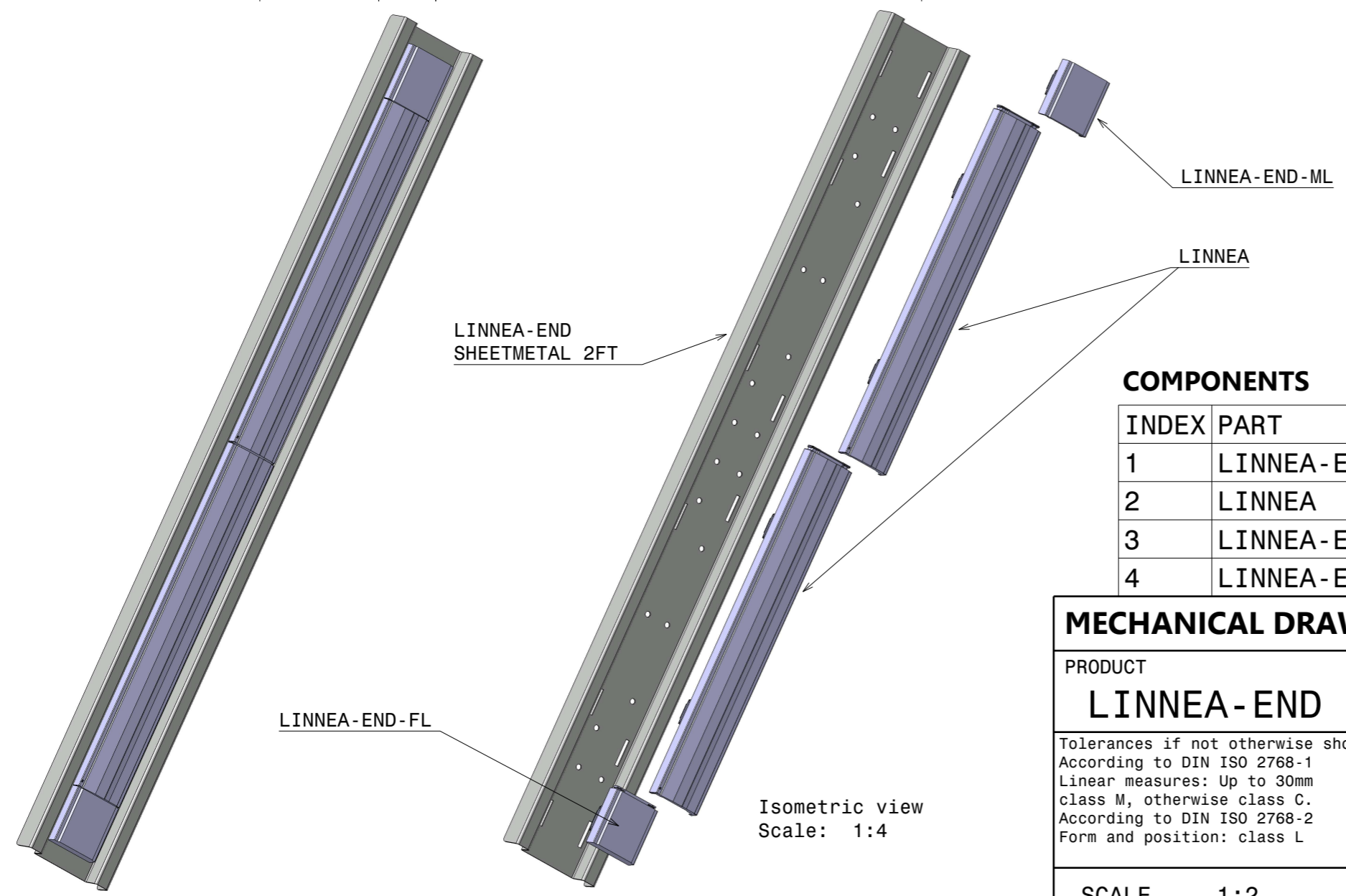
A3 SHEET 1/2

**Notes**

|  |   |
|--|---|
|  | PCB or heatsink level.  |
|  | LED location  |
|  | Ensure LED fitting from a product specific 3D model available from <a href="http://www.ledil.com">www.ledil.com</a>         |
|  | For more details about installation please see LEDiL Installation Guide on <a href="http://www.ledil.com">www.ledil.com</a> |



Unfolded view  
Scale: 1:2



Isometric view  
Scale: 1:4

**COMPONENTS**

| INDEX | PART                      | TYPE | MATERIAL | COLOR / COATING |
|-------|---------------------------|------|----------|-----------------|
| 1     | LINNEA-END SHEETMETAL 2FT |      |          |                 |
| 2     | LINNEA                    |      | PC       | clear           |
| 3     | LINNEA-END-FL             |      | PC       | clear           |
| 4     | LINNEA-END-ML             |      | PC       | clear           |

**MECHANICAL DRAWING**

PRODUCT  
**LINNEA-END SHEETMETAL CUT OUT**

Tolerances if not otherwise shown  
According to DIN ISO 2768-1  
Linear measures: Up to 30mm  
class M, otherwise class C.  
According to DIN ISO 2768-2  
Form and position: class L

FIRST ANGLE PROJECTION:

SCALE 1:2      WEIGHT -

**LEDiL**®

This drawing is the property of LEDiL Oy. It may not be reproduced, copied or communicated without a written agreement with LEDiL Oy.

A3 SHEET 2/2