

1. Scope

The present specifications shall apply to Sanken silicon rectifier diode, AG01A.

2. Outline

Type	Silicon Rectifier Diode (Mesa type)
Structure	Resin Molded
Applications	High Frequency Rectification, etc.

3. Flammability

UL94V-0 (equipment)

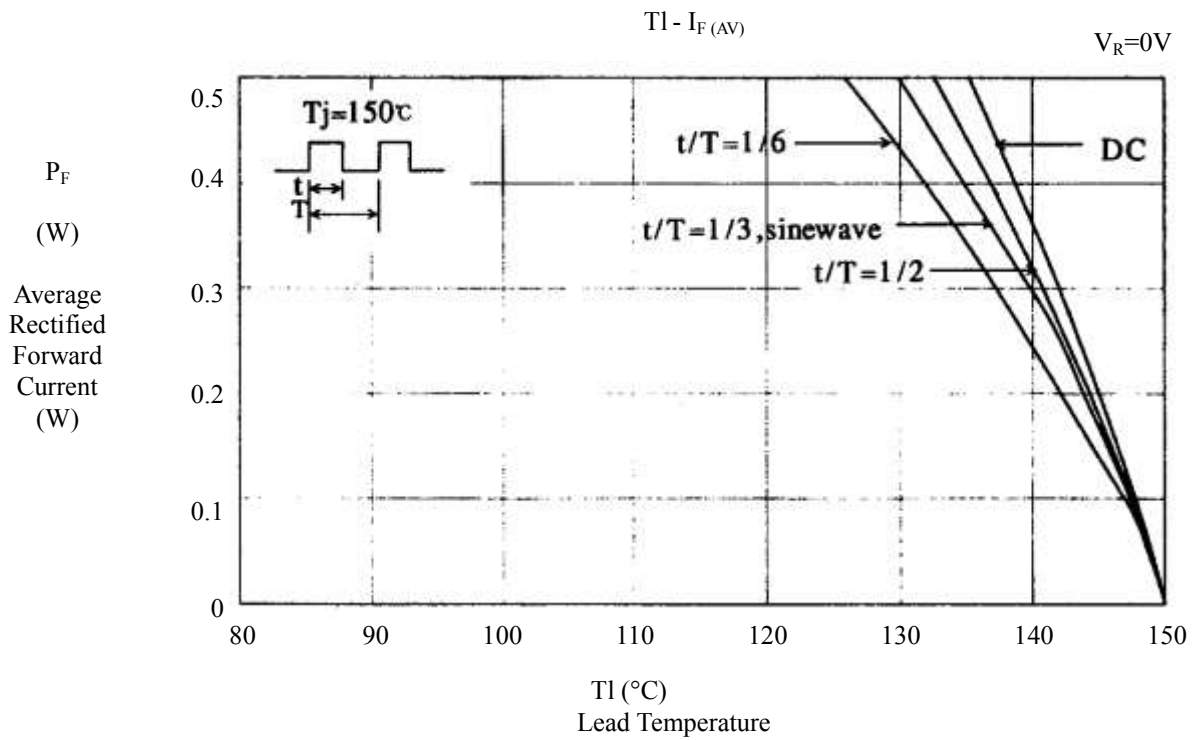
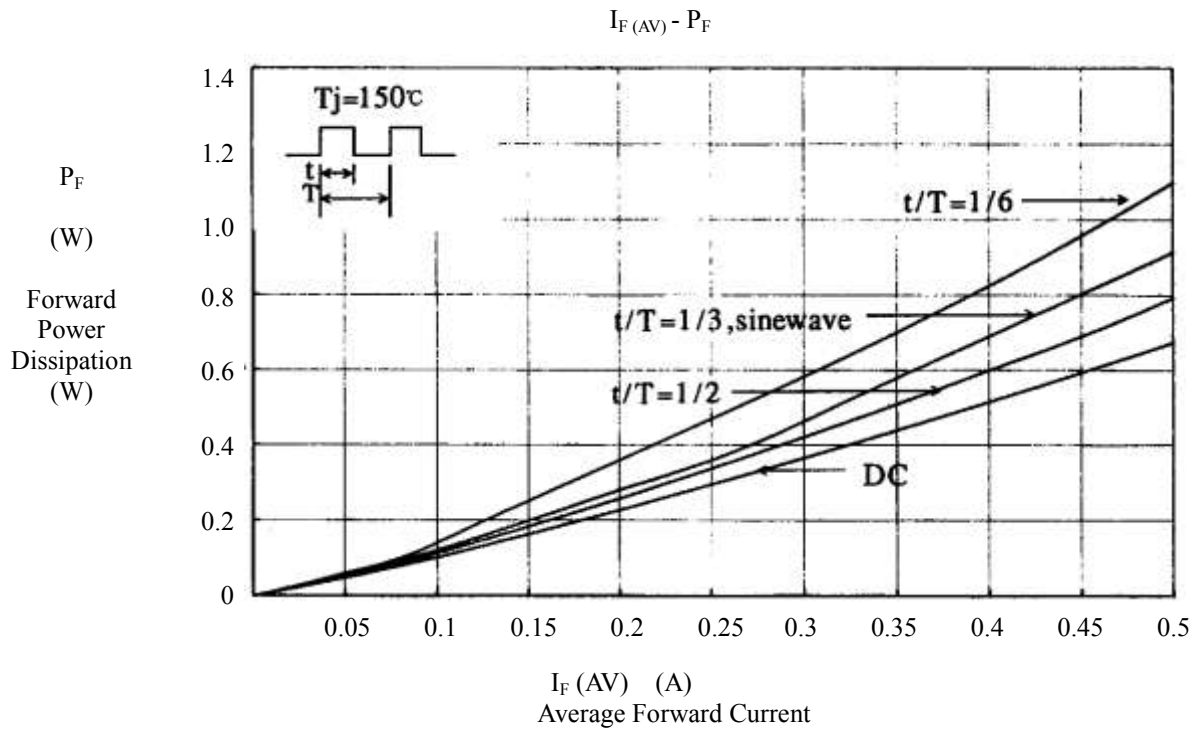
4. Absolute maximum ratings

No.	Item	Symbol	Unit	Rating	Conditions
1	Transient Peak Reverse Voltage	V_{RSM}	V	600	
2	Peak Reverse Voltage	V_{RM}	V	600	
3	Average Forward Current	$I_{F(AV)}$	A	0.5	Tl=130°C Sinewave
4	Peak Surge Forward Current	I_{FSM}	A	15	10ms. Sinewave, one shot
5	Junction Temperature	T_j	°C	-40~+150	
6	Storage Temperature	T_{stg}	°C	-40~+150	

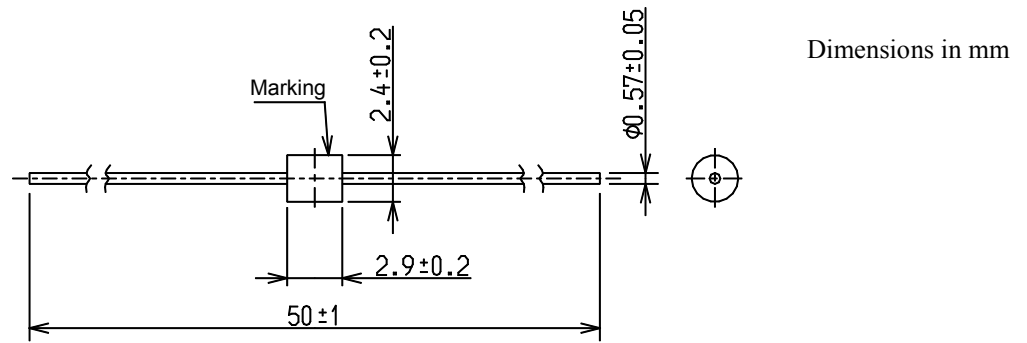
5. Electrical characteristics

No.	Item	Symbol	Unit	Value	Conditions
1	Forward Voltage Drop	V_F	V	1.8 max.	$I_F=0.5A$
2	Reverse Leakage Current	I_R	μA	100 max.	$V_R=V_{RM}$
3	Reverse Leakage Current Under High Temperature	HI_R	μA	500 max.	$V_R=V_{RM}$, Ta=100°C
4	Reverse Recovery Time	trr-1	nS	100 max.	$I_F=I_{RP}=100mA$, 90%Recovery point
		trr-2	nS	50 max.	$I_F=100mA$, $I_{RP}=200mA$ 75% Recovery point
5	Thermal Resistance	θ_{j-1}	°C/W	22 max.	Between Junction and Lead

6. Characteristics



7. Package information
7-1 Dimensions



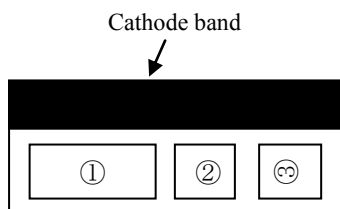
- *1 The allowance position of Body against the center of whole lead wire is 0.5mm(max.)
- *2 The centric allowance of lead wire against center of physical body is 0.2mm(max.)
- *3 The burr may exit up to 2mm from the body of lead
- *4 Whole lead wire is $62.0^{±1.0}$, with 52mm taping.

7-2 Appearance

The body shall be clean and shall not bear any stain, rust or flaw.
The color of the case will be black.

7-3 Marking Type number

- ① Type number : AG01 is abbreviated as G.
- ② V_{RM} rank A : 600V
- ③ Lot number
- ④ First digit : Last digit of Year
Second digit : Month
From 1 to 9 for Jan. to Sep.
O for Oct., N for Nov., and D for Dec.



The type number, VRM rank and lot number are to be marked in White.