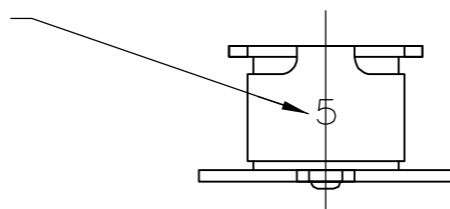


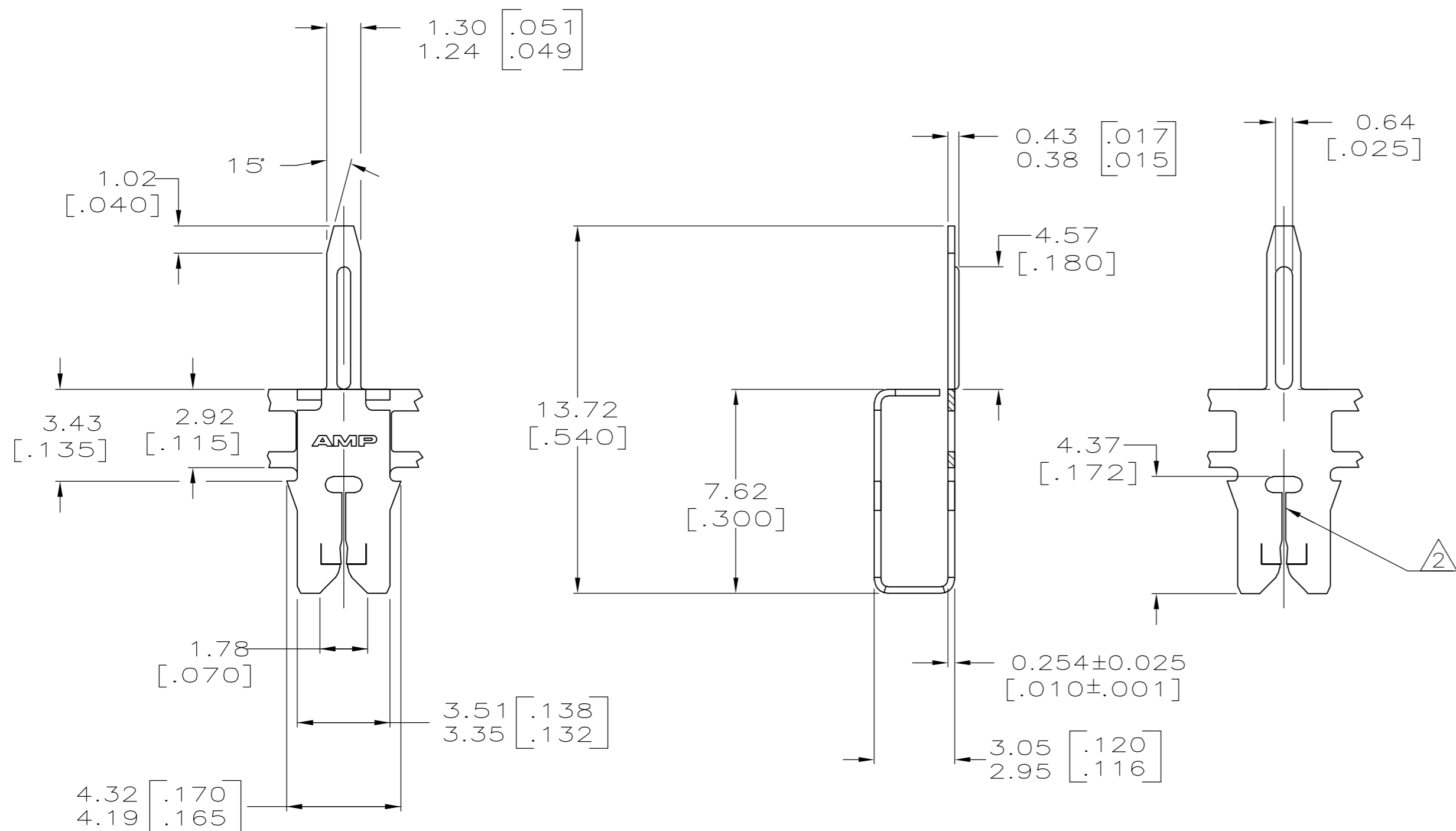
THIS DRAWING IS UNPUBLISHED. RELEASED FOR PUBLICATION
 © COPYRIGHT BY TYCO ELECTRONICS CORPORATION. ALL RIGHTS RESERVED.

LOC	DIST	REVISIONS			
P	LTR	DESCRIPTION	DATE	DWN	APVD
AF	50	F	REV PER 0G3A-0728-04	07OCT2004	RF KR

IDENTIFICATION NUMBER 5 FOR MAGNET WIRE RANGE



- 1 CONTINUOUS STRIP ON REELS WITH TERMINALS LOCATED ON 5.59 ±0.08 [.220±.003] CENTERS.
- 2 SLOT TERMINATES EITHER A SINGLE OR DOUBLE MAGNET WIRES OF THE SAME TYPE AND SIZE, COPPER RANGE: 0.23-0.32mm [#31-#28] AWG.
- 3 0.002032 [.000080] MIN TIN OVER 0.00127 [.000050] MIN NICKEL



62928-1
 PART NUMBER

THIS DRAWING IS A CONTROLLED DOCUMENT.		DWN 11/JUL/94 MICHAEL S. FEHER	Tyco Electronics Corporation Harrisburg, PA 17105-3608		
DIMENSIONS: INCHES		CHK 12/JUL/94 JEFF R. RUTH			
TOLERANCES UNLESS OTHERWISE SPECIFIED:		APVD -	NAME POST, TERMINAL, MAG-MATE		
0 PLC ± - 1 PLC ± - 2 PLC ± 0.25 [.010] 3 PLC ± - 4 PLC ± - ANGLES ± 1°		PRODUCT SPEC 108-2012	RESTRICTED TO -		
MATERIAL 4M BRASS		APPLICATION SPEC 114-2046	SIZE A2	CAGE CODE 00779	DRAWING NO C=62928
FINISH - 3		WEIGHT -	SCALE 6:1		SHEET 1 OF 1
		CUSTOMER DRAWING	REV F		