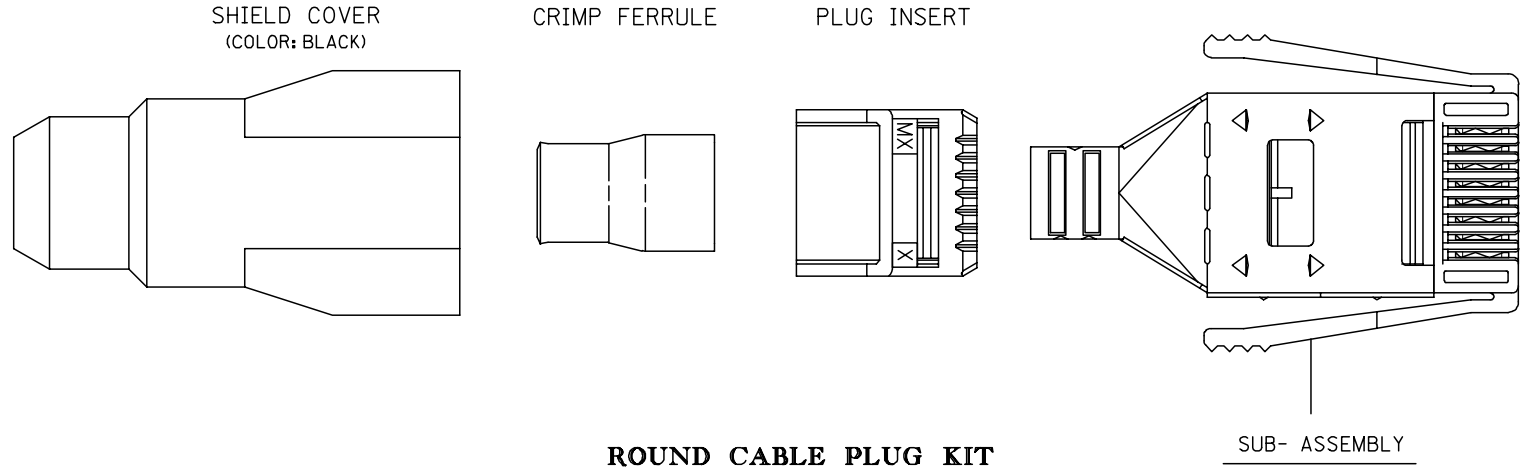


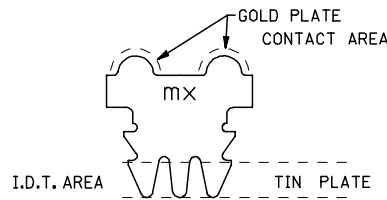
NON-KEYED OPTION MS-71310-0/3***		KEYING OPTION "1" MS-71310-1/4***		KEYING OPTION "2" MS-71310-2/5***		HSG. SIZE	CKT SIZE	DIM. "A"		DIM. "B"		DIM. "C"	
E.D.P. NUMBER	ENG. NUMBER	E.D.P. NUMBER	ENG. NUMBER	E.D.P. NUMBER	ENG. NUMBER			MM	IN.	MM	IN.	MM	IN.
015-83-0504	MS-71310-0004	015-83-0534	MS-71310-1004	015-83-0554	MS-71310-2004	4	4	9,30	.366	12,07	.475	17,22	.678
015-83-0506	MS-71310-0006	015-83-0536	MS-71310-1006	015-83-0556	MS-71310-2006	6	6	11,84	.466	14,61	.575	19,76	.778
015-83-0508	MS-71310-0008	015-83-0538	MS-71310-1008	015-83-0558	MS-71310-2008	8	8	14,38	.566	17,15	.675	22,30	.878
015-83-0516	MS-71310-0016	015-83-0546	MS-71310-1016	015-83-0566	MS-71310-2016	16	16	24,54	.966	27,31	1.075	32,46	1.278



ROUND CABLE PLUG KIT

NOTES:

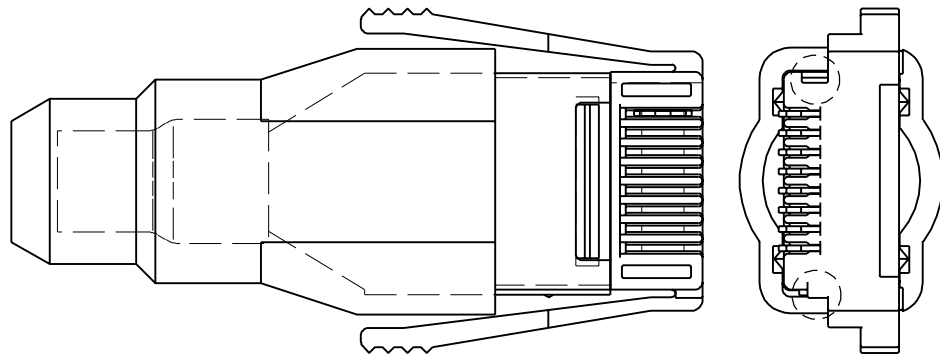
- FOR ILLUSTRATION PURPOSES 8 CIRCUIT SHOWN.
- REFER TO PK-70873-0053 FOR STANDARD PACKAGING.
- MUST CONFORM TO AS-71310 AND PS-71350-A.
- MATERIAL:**
 - PLUG HOUSING: POLYCARBONATE ALLOY; COLOR: CLEAR
 - PLUG SHIELD: BRASS WITH 100 MICROINCH TIN PLATE OVER 50 MICROINCH NICKEL. (MOLEX ES-88 CODE I54)
 - CONTACTS: PHOSPHOR BRONZE, 50 MICRO-INCH GOLD SELECTIVE PLATE IN THE CONTACT AREA, 50 MICRO-INCH TIN SELECTIVE PLATE IN THE IDT AREA, BOTH OVER 50 MICRO-INCH NICKEL UNDERPLATE. (MOLEX ES-88 CODE 575).
 - PLUG INSERT: POLYCARBONATE ALLOY; COLOR: CLEAR.
 - CRIMP FERRULE: COPPER WITH 100 MICROINCHES OF BRIGHT TIN PLATE OVER 50 MICROINCHES OF NICKEL UNDERPLATE. (MOLEX SPEC ES-88 CODE I54)
 - SHIELD COVER: POLYESTER, UL 94V-0, COLOR:BLACK



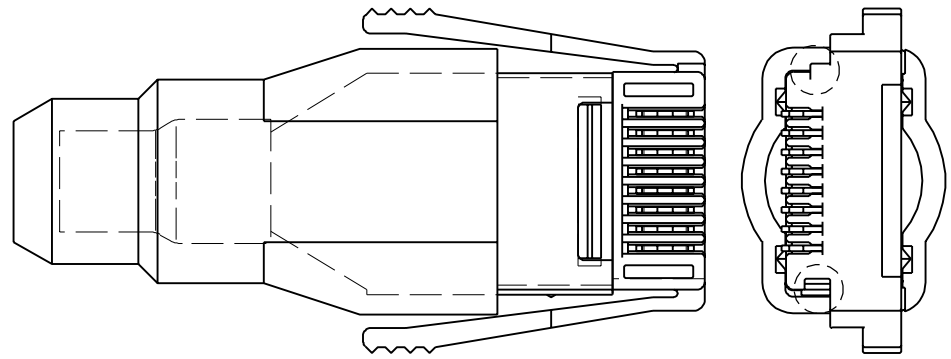
SIDE VIEW OF CONTACT

ROHS COMPLIANCE EPR NO. E2007-0364 DRAWN BY: GIBBY/BRINES DATE: 2006/11/02 CHECKED BY: GIBBY/BRINES DATE: 2006/11/24 APPROVED BY: GIBBY/BRINES DATE: 2006/11/27 MATERIAL NO. 015-83-0504	QUALITY SYMBOLS	GENERAL TOLERANCES (UNLESS SPECIFIED)		DIMENSION STYLE	SCALE	DESIGN UNITS	THIRD ANGLE PROJECTION	
	▽=0	mm	INCH	MM ONLY	4:1	METRIC		
	▽=0	4 PLACES ± ---	± ---		DRAWN BY: J. LONG	DATE: 1985/11/27	PLUG ASSEMBLY KIT SEMCONN	
		3 PLACES ± ---	± ---		CHECKED BY: BIXLER	DATE: 1985/11/27	MOLEX INCORPORATED	
	2 PLACES ± ---	± ---		APPROVED BY: IT	DATE: 1985/11/27	MATERIAL NO. SDMS-71310-***		
	1 PLACE ± ---	± ---		SIZE A2		SHEET NO. 1 OF 2		
DRAWING ABOVE MUST REMAIN WITHIN DIMENSIONS		ANGULAR ±1/2°		THIS DRAWING CONTAINS INFORMATION THAT IS PROPRIETARY TO MOLEX INCORPORATED AND SHOULD NOT BE USED WITHOUT WRITTEN PERMISSION				

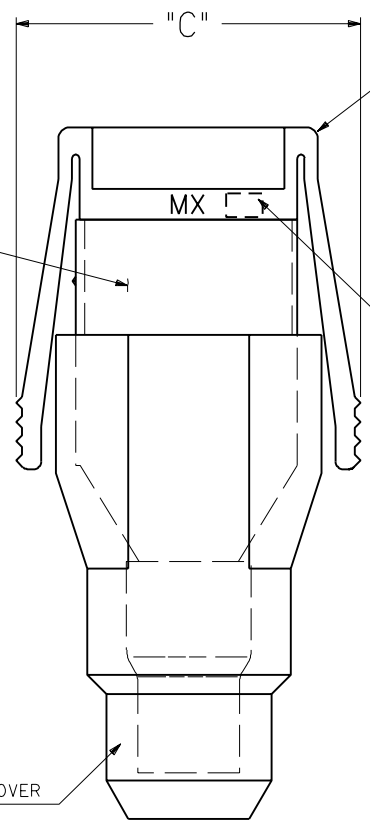
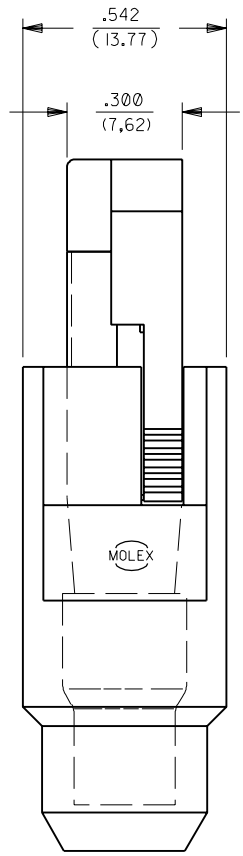
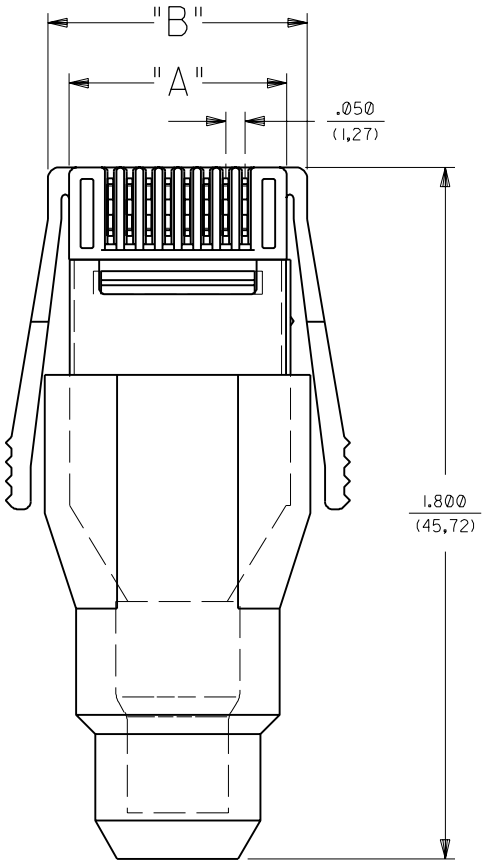
13 12 11 10 9 8 7 6 71310 4 3 2 1



KEYING OPTION "1"



KEYING OPTION "2"



TERMINATED VIEWS

SEE SHEET 1 FOR DIMENSIONS

E	SEE SHEET 1
D	SEE SHEET 1
C	SEE SHEET 1
B	SEE SHEET 1
A	SEE SHEET 1
I	SEE SHEET 1

DIMENSIONS SHOWN (METRIC) INCH		=		=		REVISE ONLY ON CAD SYSTEM	
UNLESS OTHERWISE SPECIFIED TOLERANCES ANGULAR ± 1/2°							
3 PLACE	±	---	---	---	---	---	---
2 PLACE	±	---	---	---	---	---	---
1 PLACE	---	---	---	---	---	---	---
DRAFT WHERE APPLICABLE MUST REMAIN WITHIN DIMENSIONS							
DRW'G. BY: <i>J. Long</i>	CHK'D. BY: CAB	PART NO. SEE CHART		DRWG. NO. SDMS-71310-*****		TITLE: STD. SEMCONN - PLUG ASS'Y SHIELD ROUND CABLE WITH BLACK COVER	
APP'D. BY: JRT	SCALE: 4 : 1	FILE NAME: S71310X02	MOLEX INC. AND SHOULD NOT BE USED WITHOUT WRITTEN PERMISSION	SHEET NO.: 2	DATE: 11/27/85	DIV. 5122 TC	

13 12 11 10 9 8 7 6 5 4 3 2 1

71310