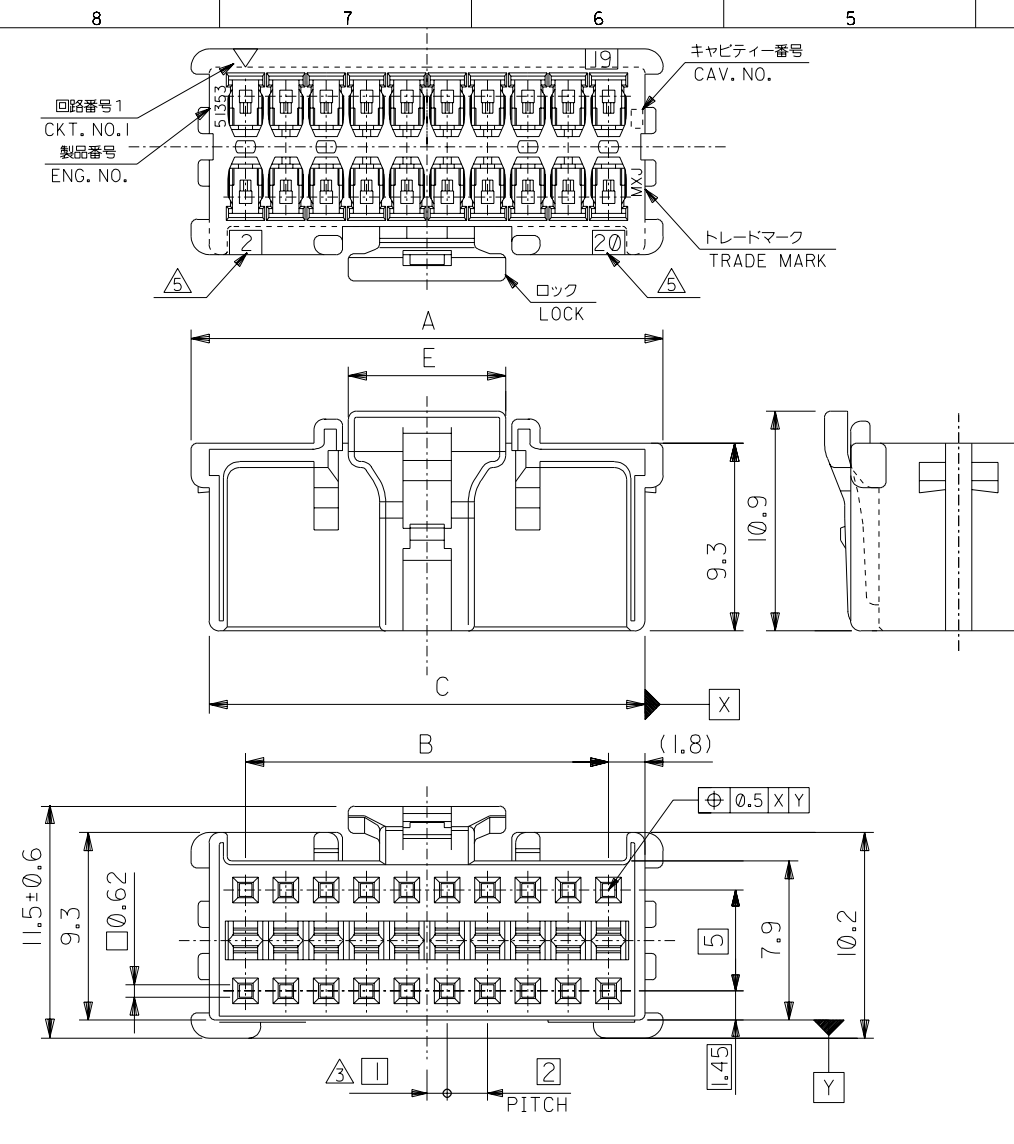


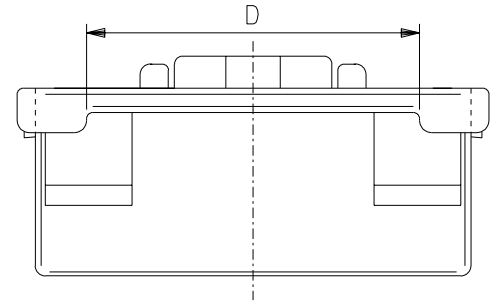
DO NOT SCALE DRAWING



注記 NOTES

- △ 適合ターミナル : 56134-9000, 9100
APPLICABLE TERMINAL : 56134-9000, 9100
- 2. 嵌合相手 : 55917, 55959 シリーズ
MATE WITH : 55917, 55959 SERIES
(全極数/2) = 偶数の場合に適用。
APPLY FOR (CIRCUIT/2)=EVEN
- △ 製品番号 MATERIAL NO. 51353-**-0*
極数 CIRCUIT SIZE 色 COLOR
- △ ロック側の回路番号表示は、8~14極は無し、16~40極は有り。
LOCK SIDE CKT. NO. DIDN'T INDICATED 8~14CKT,
INDICATE 16~40CKT.

ナチュラル (白) NATURAL (WHITE)	0
黒 BLACK	1
赤 RED	2
黄 YELLOW	3
青 BLUE	4
桃 PINK	5
緑 GREEN	6
茶 BROWN	7
橙 ORANGE	8
紫 VIOLET	9

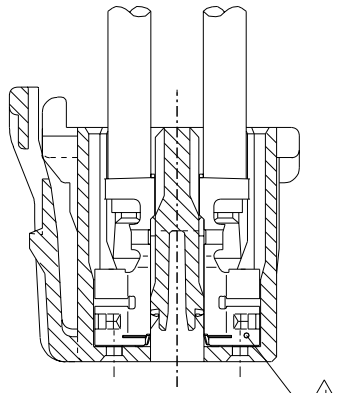
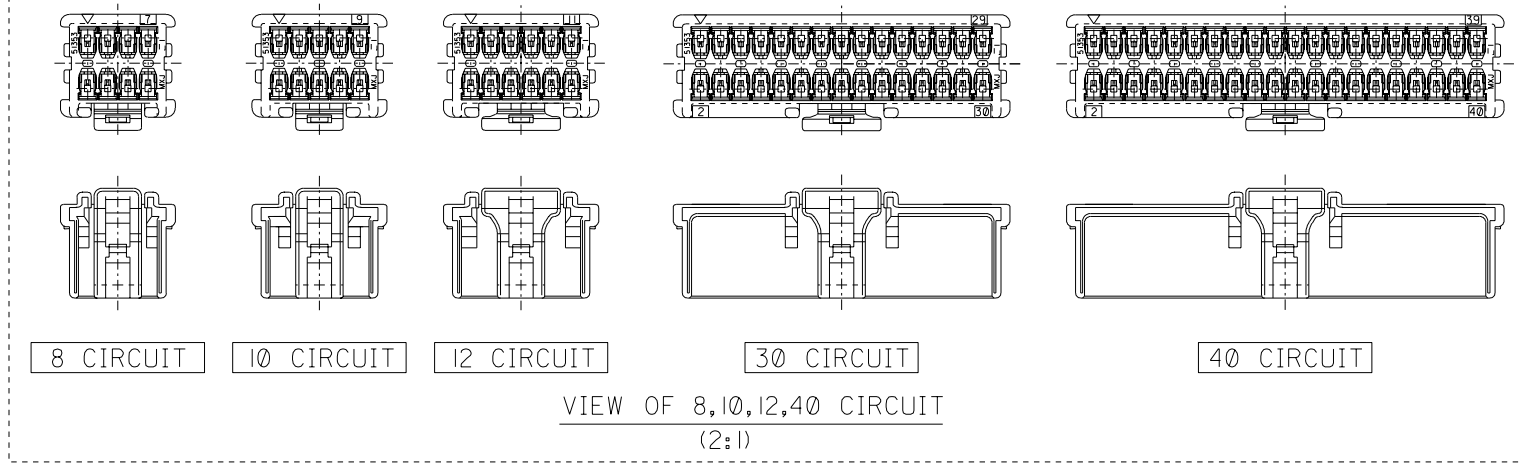


7.8	36.5	41.6	38	43.4	51353-400*	40
	34.5	39.6	36	41.4	-380*	38
	32.5	37.6	34	39.4	-360*	36
	30.5	35.6	32	37.4	-340*	34
	28.5	33.6	30	35.4	-320*	32
	26.5	31.6	28	33.4	-300*	30
	24.5	29.6	26	31.4	-280*	28
	22.5	27.6	24	29.4	-260*	26
	20.5	25.6	22	27.4	-240*	24
	18.5	23.6	20	25.4	-220*	22
	16.5	21.6	18	23.4	-200*	20
	14.5	19.6	16	21.4	-180*	18
	12.5	17.6	14	19.4	-160*	16
	10.5	15.6	12	17.4	-140*	14
7.8	8.5	13.6	10	15.4	-120*	12
4.7	6.5	11.6	8	13.4	-100*	10
4.7	4.5	9.6	6	11.4	51353-080*	8
E	D	C	B	A	MATERIAL NO.	CKT.

EC NO. DRWN: CHK: APPR:	REVISED	MATERIAL 材料 66NYLON, UL94V-0	GENERAL TOLERANCES: (UNLESS SPECIFIED) 一般公差	SCALE	DESIGN UNITS	MODEL NO.	DIMENSIONS:		SHT	REV	
	EC NO. J2003-0719 DRWN:N.ITO '02/10/22 CHK: K.ASAKAWA APPR:T.YAMAGUCHI			10 UNDER 未滿	mm	THIRD ANGLE PROJECTION	mm	INCH	mm	ONLY	REVISION ON CAD ONLY
	REVISED			10 OVER 30 UNDER 未滿	mm	INCH	mm	ONLY			
	EC NO. J2003-0066 DRWN:N.ITO '02/07/08 CHK: K.ASAKAWA APPR:T.YAMAGUCHI			30 OVER 以上	mm	INCH	mm	ONLY			
REVISED	RELEASED	FINISH 仕上げ	ANGLE 角度	DRAWN BY & DATE N.ITO '01/12/17		TITLE: 2.0mm W+-B DUAL CONN DIP RCPT HOUSING					
EC NO. J2002-2307 DRWN:N.ITO '02/03/18 CHK: K.ASAKAWA APPR:T.YAMAGUCHI	EC NO. J2002-1196 DRWN:N.ITO '01/12/17 CHK: K.ASAKAWA APPR:T.YAMAGUCHI	WIRE RANGE 適用線径範囲		CHECKED BY & DATE K.ASAKAWA '02/10/22		MOLEX MOLEX INCORPORATED					
REVISED	INS. RANGE 被覆外径		APPROVED BY & DATE T.YAMAGUCHI '02/10/22								
EC NO. J2003-0002 DRWN:N.ITO '02/10/22 CHK: K.ASAKAWA APPR:T.YAMAGUCHI	EC NO. J2003-0002 DRWN:N.ITO '02/10/22 CHK: K.ASAKAWA APPR:T.YAMAGUCHI			CAD FILENAME 51353002.S01	MATERIAL NO. SEE CHART	DRAWING NO. SD-51353-002	SHEET NO. 1 OF 2	THIS DRAWING CONTAINS INFORMATION THAT IS PROPRIETARY TO MOLEX INCORPORATED AND SHOULD NOT BE USED WITHOUT WRITTEN PERMISSION.		SIZE B	

DWG. NO. SD-51353-002

8 7 6 5 4 3 2 1



ターミナル装着状態図
TERMINAL ASSEMBLY DRAWING
SCALE 5:1

DO NOT SCALE DRAWING

EC NO. DRWN: CHK: APPR:	REVISED EC NO. J2003-0719 DRWN:N.ITO '02/09/12 CHK: K.ASAKAWA APPR:T.YAMAGUCHI	REVISED EC NO. J2003-0066 DRWN:N.ITO '02/07/08 CHK: K.ASAKAWA APPR:T.YAMAGUCHI	REVISED EC NO. J2002-2307 DRWN:N.ITO '02/03/18 CHK: K.ASAKAWA APPR:T.YAMAGUCHI	RELEASED EC NO. J2002-1196 DRWN:N.ITO '01/12/17 CHK: K.ASAKAWA APPR:T.YAMAGUCHI
C	B	A	0	

MATERIAL 材料	SEE CHART 1 OF 2
FINISH 仕上げ	//
WIRE RANGE 適用線径範囲	//
INS. RANGE 被覆外径	//

GENERAL TOLERANCES: (UNLESS SPECIFIED) 一般公差	10 UNDER 未満	±0.2
	10 OVER 30 UNDER 以上 未満	±0.25
	30 OVER 以上	±0.3
ANGLE 角度		±3°

51353-●●0●		MODEL NO.	DIMENSIONS:		SHT	REV
SCALE //	DESIGN UNITS ☒ mm ☐ INCH	THIRD ANGLE PROJECTION	mm INCH	mm ONLY		REVISE ON CAD ONLY
DRAWN BY & DATE N.ITO '01/12/17		TITLE: 2.0mm W-+-B DUAL CONN DIP RCPT HOUSING				
CHECKED BY & DATE K.ASAKAWA '02/09/12		APPROVED BY & DATE T.YAMAGUCHI '02/09/12				
CAD FILENAME 51353002.S02		MATERIAL NO. SEE CHART	DRAWING NO. SD-51353-002	SHEET NO. 2 OF 2		
THIS DRAWING CONTAINS INFORMATION THAT IS PROPRIETARY TO MOLEX INCORPORATED AND SHOULD NOT BE USED WITHOUT WRITTEN PERMISSION.						
					SIZE B	

8 7 6 5 4 3 2 1 EN-02J(097) MXJ-54

51353002.S02