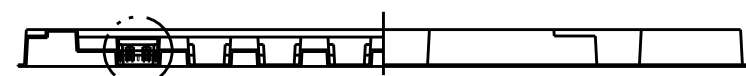
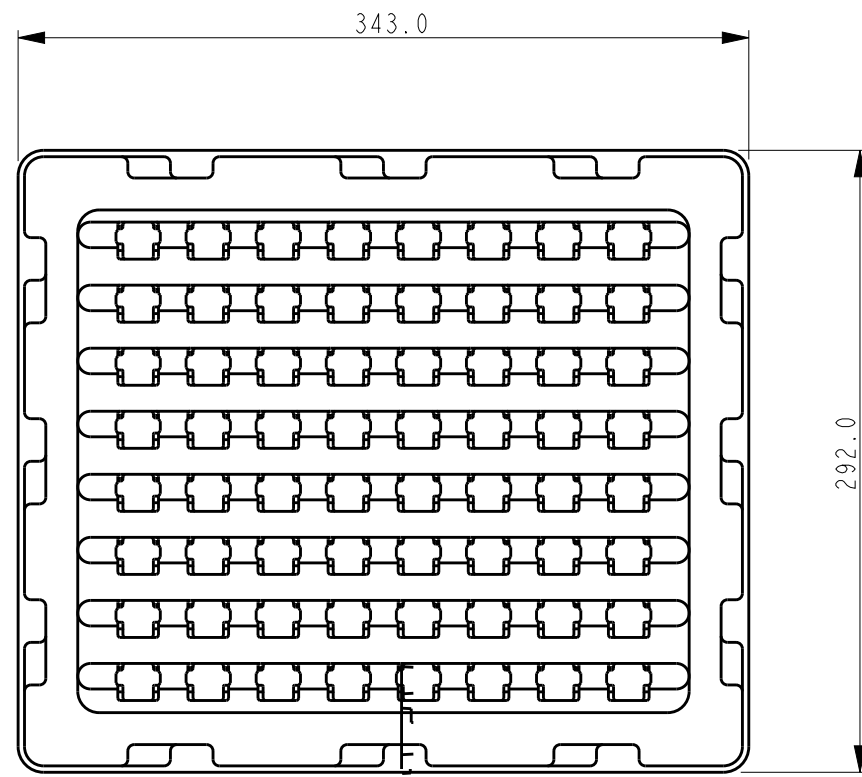




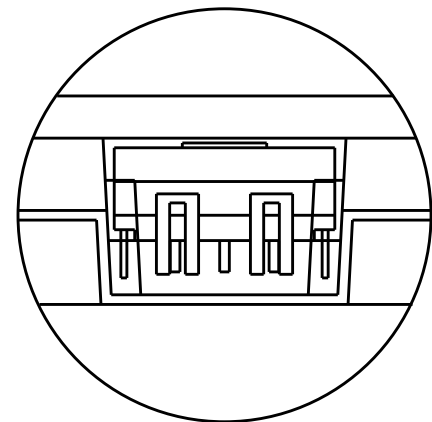
THIS DRAWING IS UNPUBLISHED. RELEASED FOR PUBLICATION  
 © COPYRIGHT - TE CONNECTIVITY ALL RIGHTS RESERVED.

LOC	DIST	REVISIONS			
P	LTR	DESCRIPTION	DATE	DWN	APVD
IR	-	SEE SHEET 1	-	-	-

NOTES:  
 1. TRAY (PN 3178822-1) PACKAGING IS ONLY FOR PN 1982295-5.

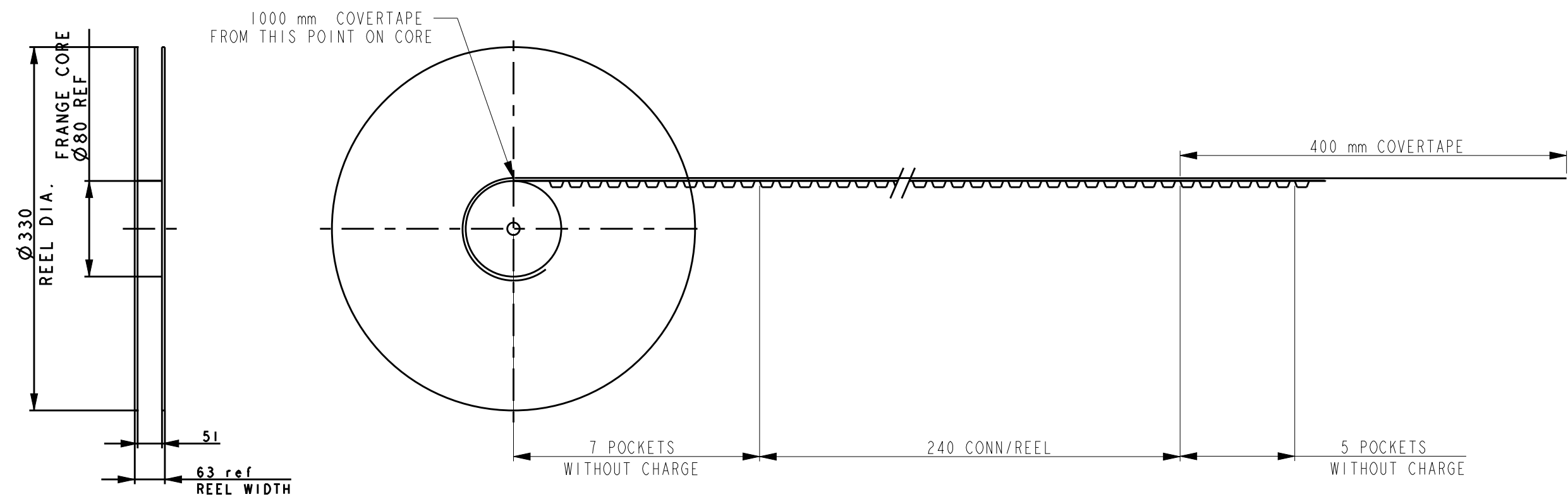
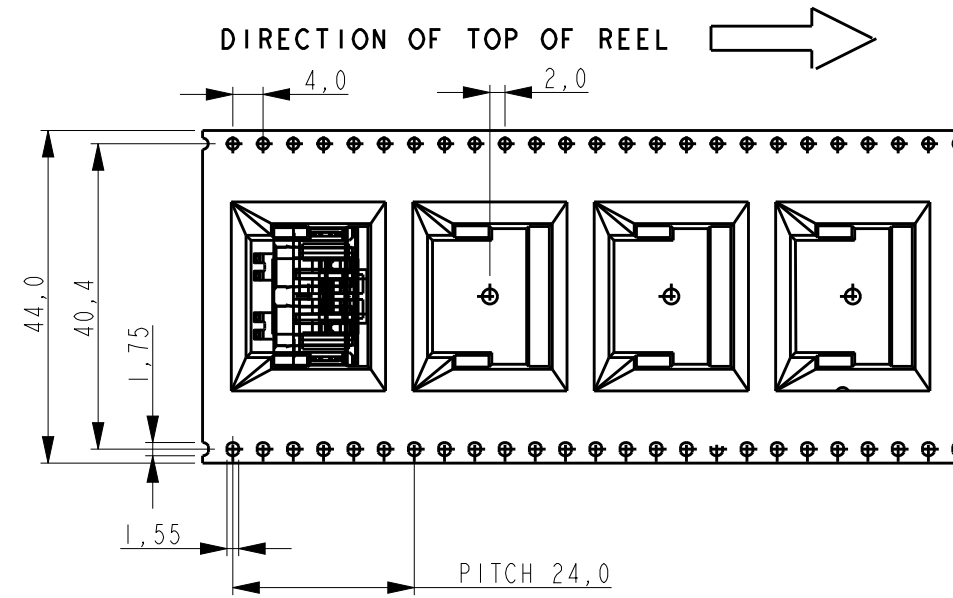


SEE DETAIL B



DETAIL B

DO NOT SCALE



NOTES:

- 1 MATERIAL: TRANSPARENT POLYSTYRENE ALLOY.
- 2 10 SPROCKET HOLES PITCH CUMULATIVE TOLERANCE +/-0,20.
- 3 CARRIER CAMBER IS WITHIN 1 mm IN 250 mm.
- 4 ALL DIMENSIONS MEET EIA-481-C REQUIREMENTS.
- 5 THICKNESS: 0,50±0,05mm.
- 6 REEL PACKAGING ONLY FOR OTHER PART NUMBERS.

THIS DRAWING IS A CONTROLLED DOCUMENT.		DWN R. Annokkee 16-Feb-17	TE Connectivity	
DIMENSIONS: mm		CHK R. Annokkee 16-Feb-17		
TOLERANCES UNLESS OTHERWISE SPECIFIED:		APVD J. Broeksteeg 16-Feb-17	PRODUCT SPEC 108-19346	SIZE A2
0 PLC ±0,5		APPLICATION SPEC 114-19110	CAGE CODE 00779	DRAWING NO G-1982295
1 PLC ±0,1		WEIGHT -	RESTRICTED TO -	SCALE 5:1
2 PLC ±0,05		MATERIAL -	Customer Drawing	SHEET 2 OF 2
3 PLC ±				REV C2
4 PLC ±				
ANGLES ±2				
FINISH				