

Photoelectrics Retro-reflective Type PA18C.R..., DC

CARLO GAVAZZI



- Miniature sensor range
- Range: 6.5 m (Axial), 5 m (Radial)
- Sensitivity adjustment by potentiometer
- Modulated, infrared light 850 nm
- Supply voltage: 10 to 30 VDC
- Output: 100 mA, NPN or PNP, N.O & N.C.
- Degree of protection IP67, IP69K
- LED indication for output, stability and power ON
- Protection: reverse polarity, short circuit and transients
- Cable and plug versions
- Excellent EMC performance



Product Description

The PA18C.R... is part of a family of inexpensive general purpose retro-reflective sensors in industrial standard 18 mm cylindrical ABS housing. The sensors are useful in applications where high-accuracy detection as well as small size is required.

Compact housing and high power LED for excellent performance-size ratio. The potentiometer used for adjustment of the sensitivity makes the sensors highly flexible. The output type is NPN or PNP and the output switching function is NO and NC.

Ordering Key PA18CAR65PAM1SA

| | |
|----------------------|-------|
| Type | _____ |
| Housing style | _____ |
| Housing size | _____ |
| Housing material | _____ |
| Housing type axial | _____ |
| Detection principle | _____ |
| Sensing distance | _____ |
| Output type | _____ |
| Output configuration | _____ |
| Connection type | _____ |
| Sensitive adjustment | _____ |

Type Selection

| Housing style | Range S _n | Connection | Ordering no. NPN Make & break switching | Ordering no. PNP Make & break switching |
|-----------------|----------------------|------------|--|--|
| M18 Axial type | 6.5 m | Cable | PA 18 CAR 65 NASA | PA 18 CAR 65 PASA |
| M18 Axial type | 6.5 m | Plug | PA 18 CAR 65 NAM1SA | PA 18 CAR 65 PAM1SA |
| M18 Radial type | 5.0 m | Cable | PA 18 CRR 50 NASA | PA 18 CRR 50 PASA |
| M18 Radial type | 5.0 m | Plug | PA 18 CRR 50 NAM1SA | PA 18 CRR 50 PAM1SA |

Specifications according to EN60947-5-2

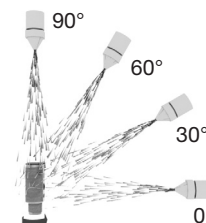
| | | | |
|--|--|---|---|
| Rated operating distance (S_n) Axial type (A) Radial type (R) | Up to 6.5 m, Up to 5.0 m reference target ER4 reflector ø 80 mm | No load supply current (I₀) | ≤ 25 mA @ 24 VDC |
| Blind zone | 50 mm @ S _n max. | Minimum operational current (I_m) | 0.5 mA |
| Sensitivity control Electrical adjustment Mechanical adjustment Adjustable distance to target Axial types Radial types | Adjustable by potentiometer 210° 240° 50-650 cm 50-500 cm | OFF-state current (I_r) | ≤ 100 µA |
| Temperature drift | ≤ 0.2%/°C | Voltage drop (U_d) | ≤ 2.0 VDC @ 100 mA |
| Hysteresis (H) (differential travel) | ≤ 20% | Protection | Short-circuit, reverse polarity and transients |
| Rated operational volt. (U_B) | 10 to 30 VDC (ripple included) | Light source | LED, 850 nm |
| Ripple (U_{rpp}) | ≤ 10% | Light type | Infrared, modulated |
| Output current Continuous (I _a) Short-time (I) | ≤ 100 mA ≤ 100 mA (max. load capacity 100 nF) | Sensing angle | ± 2° |
| | | Ambient light | 30.000 lux Incandescent lamp |
| | | Light spot Diameter | Ø 164 mm @ 3.25 m |
| | | Operating frequency | 500 Hz |
| | | Response time OFF-ON (t _{ON}) ON-OFF (t _{OFF}) | ≤ 1.0 ms ≤ 1.0 ms |
| | | Power ON delay (t_v) | ≤ 100 ms |
| | | Output function Type Switching function | NPN or PNP NO and NC |



Specifications (cont.)

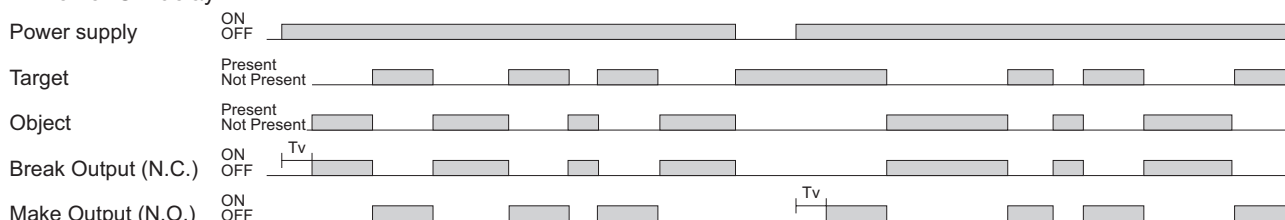
| | | | |
|---|--|---|--|
| Indication Output ON Signal stability and power ON | LED, yellow LED, green | Housing material Body Front material Cable gland Trimmer shaft Locknuts Mounting bracket | ABS, grey PMMA, red POM, Black POM, Dark Grey PBTB, black PPA, black |
| Environment Installation category Pollution degree Degree of protection | III (IEC 60664/60664A; 60947-1) 3 (IEC 60664/60664A; 60947-1) IP 67, IP 69K* | Connection Cable Plug | PVC, grey, 2 m 4 x 0.25 mm ² , Ø = 4.5 mm M12, 4-pin (CONB14NF-series) |
| Ambient temperature Operating Storage | -25° to +60°C (-13° to +140°F) -40° to +70°C (-40° to +158°F) | Weight | With cable: 85 g With plug: 25 g |
| Vibration | 10 to 150 Hz, 1 mm/15 g (IEC 60068-2-6) | CE-marking | Yes |
| Shock | 30 g / 11ms, 3 pos, 3 neg per axis (IEC 60068-2-6, 60068-2-32) | Approvals | cULus (UL508) supply class 2 |
| Rated insulation voltage | 500 VAC (rms) IEC protection class III | | |

* The IP69K test according to DIN 40050-9 for high-pressure, high-temperature wash-down applications. The sensor must not only be dust tight (IP6X), but also able to withstand high-pressure and steam cleaning. The sensor is exposed to high pressure water from a spray nozzle that is fed with 80°C water at 8'000-10'000 KPa (80-100bar) and a flow rate of 14-6L/min. The nozzle is held 100-150 mm from the sensor at angles of 0°, 30°, 60° and 90° for 30s each. The test device sits on a turntable that rotates with a speed of 5 times per minute. The sensor must not suffer any damaging effects from the high pressure water in appearance and function.

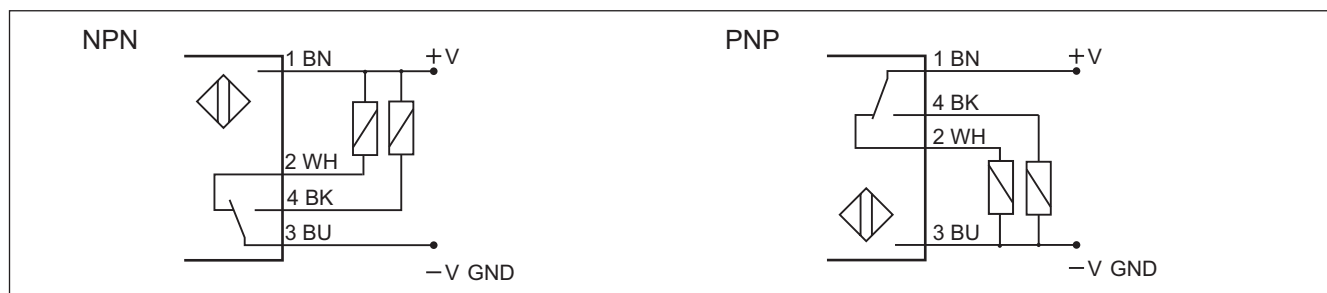


Operation Diagram

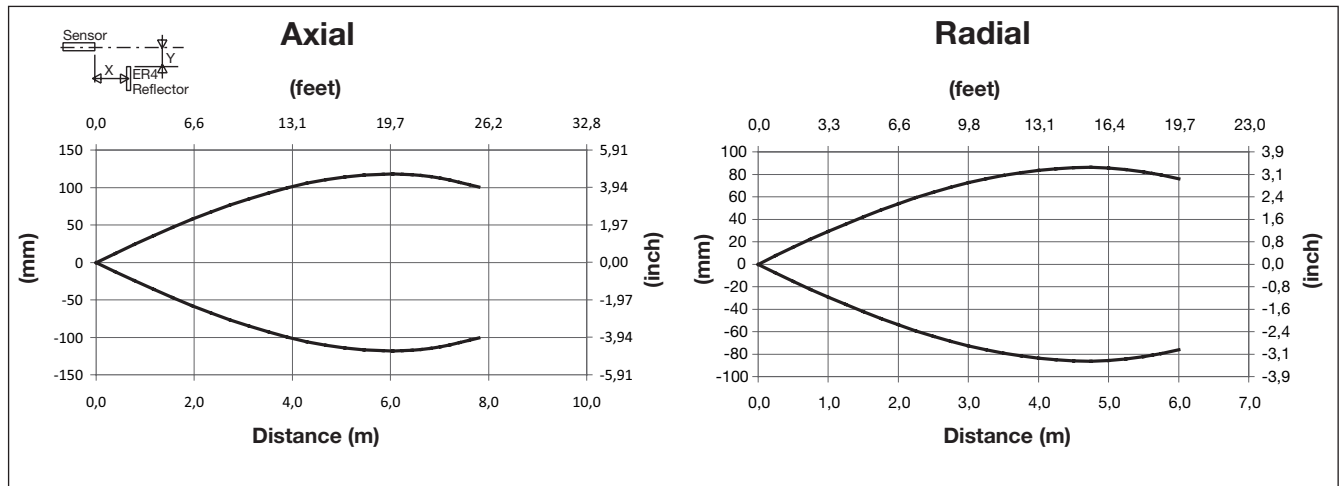
tv = Power ON delay



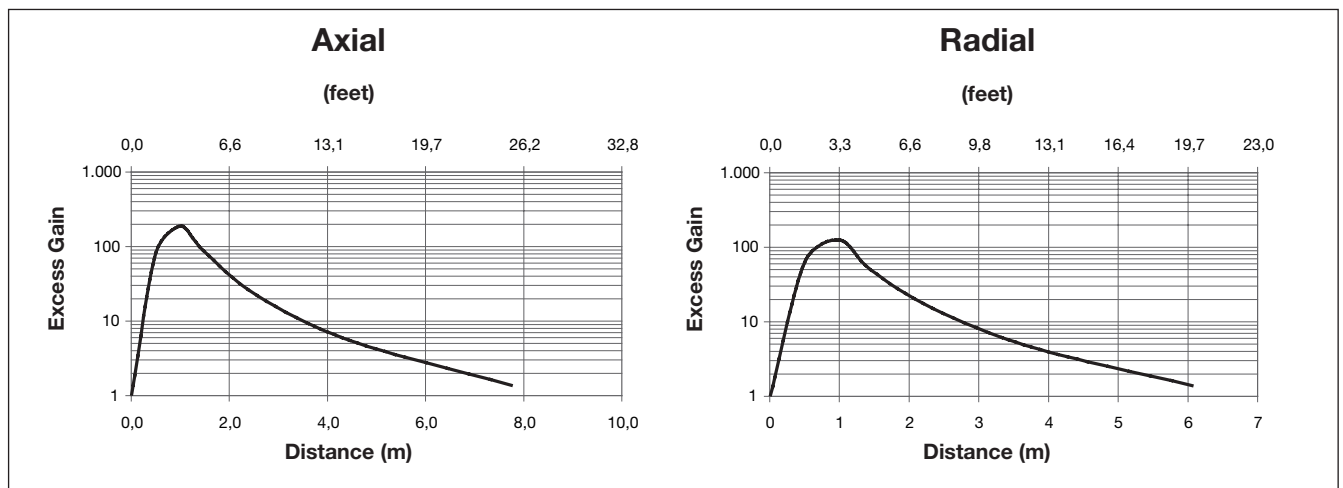
Wiring Diagrams



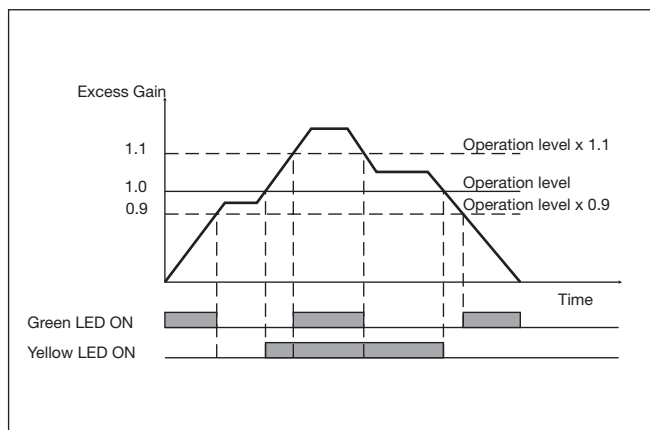
Detection Diagram



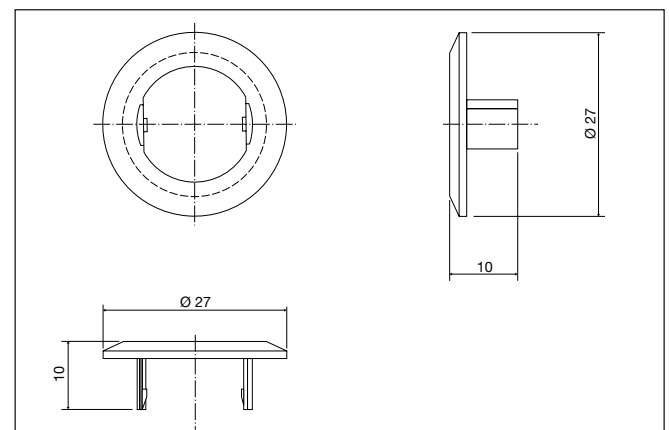
Excess Gain



Signal Stability Indication

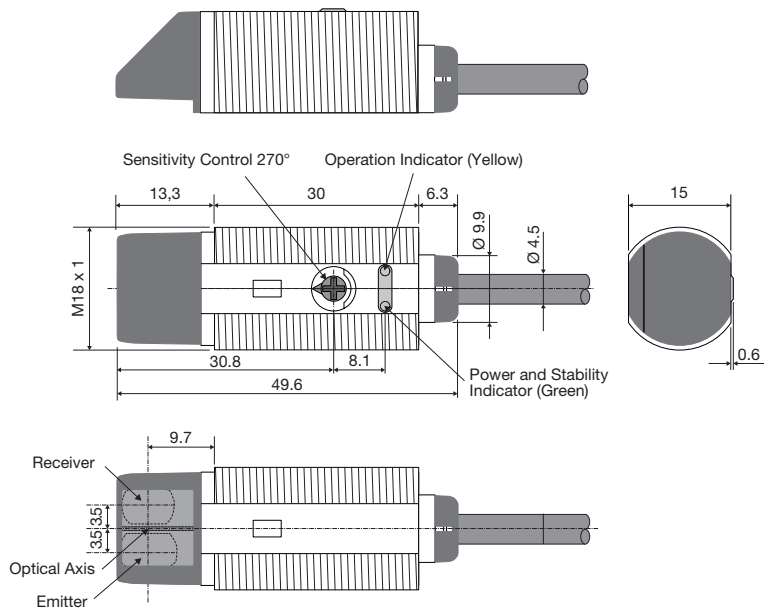


APA18-MB1

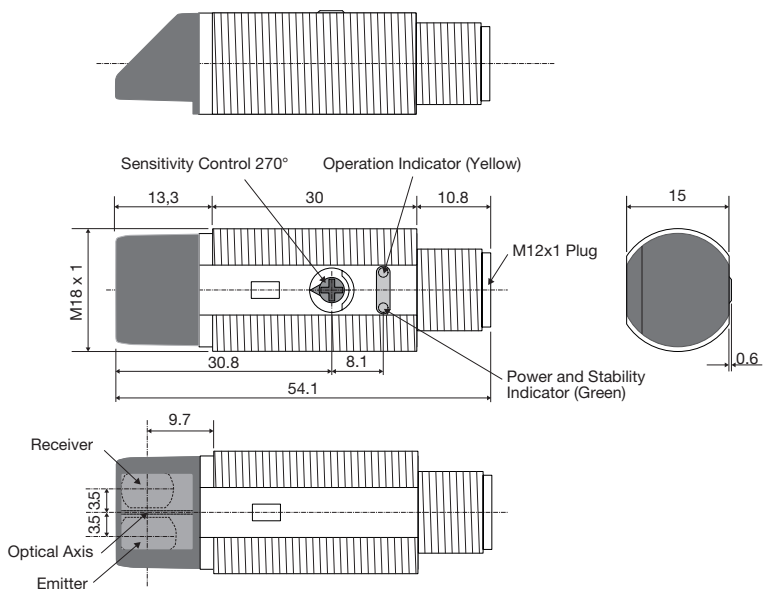


Dimensions Radial version

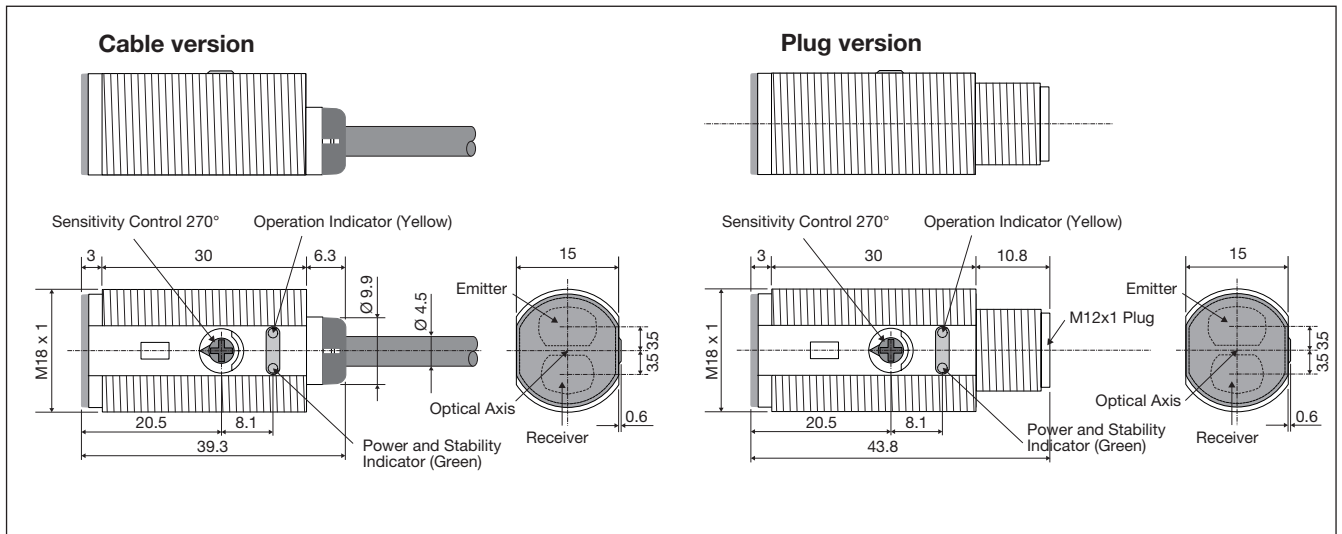
Cable version



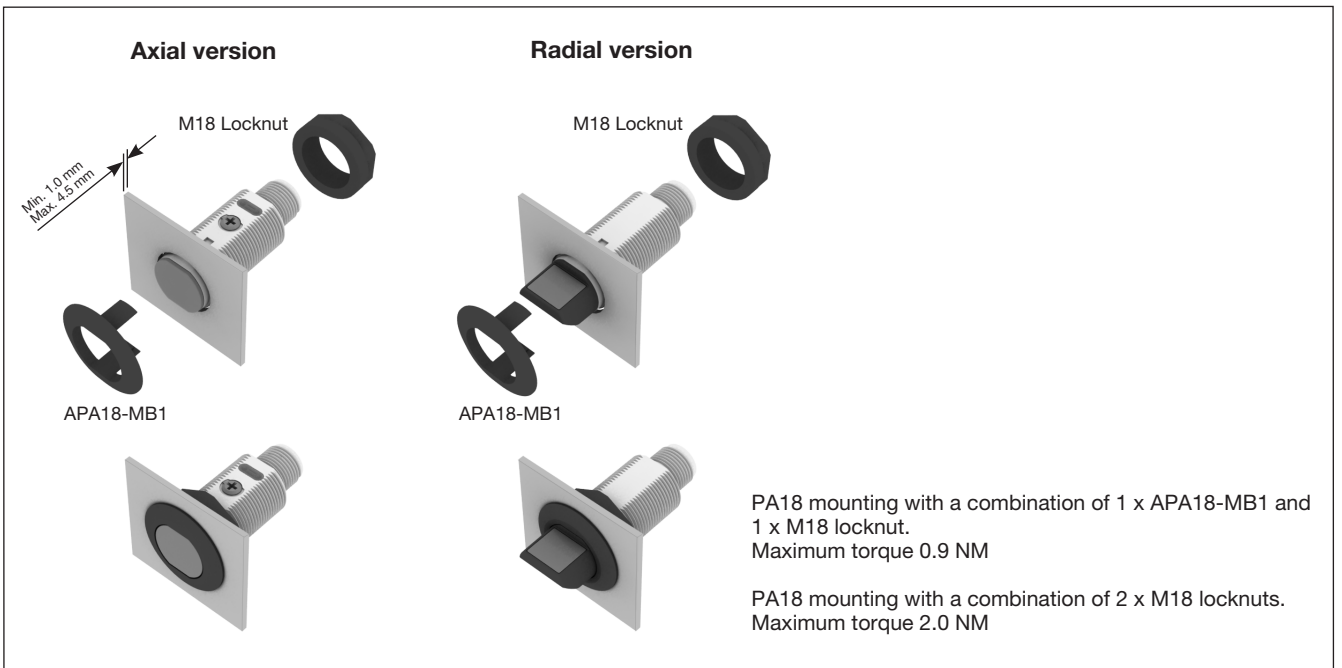
Plug version



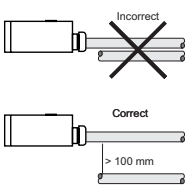
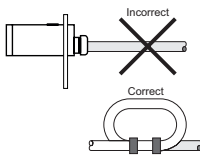
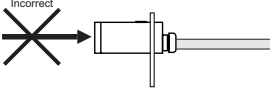
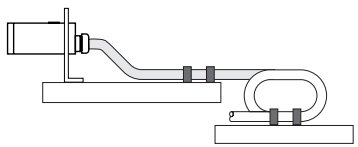
Dimensions Axial version



Mounting Systems



Installation Hints

| | | | |
|---|---|--|--|
| <p>To avoid interference from inductive voltage / current peaks, separate the proximity switch cables from any other power cables. E.g. Engine, contactor or solenoid cables</p>  <p>Incorrect</p> <p>Correct</p> <p>> 100 mm</p> | <p>Relief of the cable strain</p>  <p>Incorrect</p> <p>Correct</p> <p>The cable should not be pulled</p> | <p>Protection of the sensing face</p>  <p>Incorrect</p> <p>A proximity switch should not serve as mechanical stop</p> | <p>Sensor mounted on a mobile carrier</p>  <p>Any repetitive flexing of the cable should be avoided</p> |
|---|---|--|--|

Delivery Contents

- Photoelectric switch: PA 18 C.R...
- Installation instruction on plastic bag
- Screwdriver
- Mounting bracket APA18-MB1
- 2 M18 locknuts
- **Packaging:** Plastic bag

Accessories

- Connector type CONG1A.. / CONB14NF.. series
- Reflector type ER.. - to be purchased separately