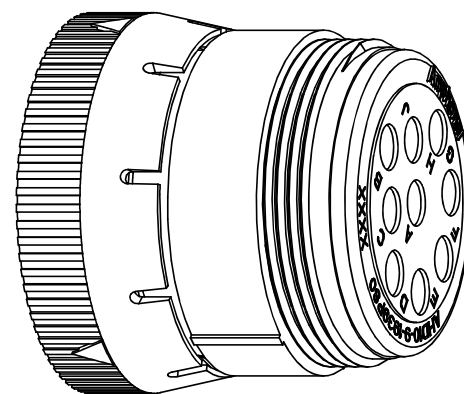
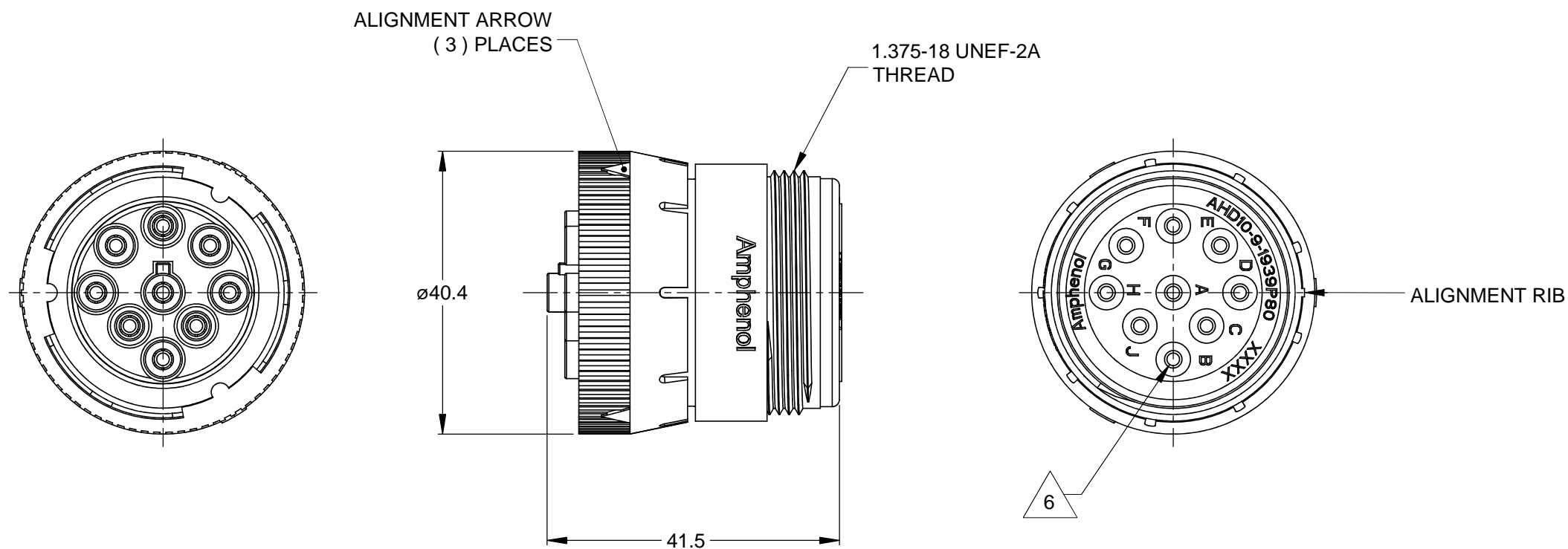


REVISIONS					
REV	ECO	DESCRIPTION	DATE	BY	APPR
A2		RELEASE NEW DWG FORMAT	04DEC13	DRP	



NOTES: UNLESS OTHERWISE SPECIFIED

- MATERIAL:
HOUSING: THERMOPLASTIC; COLOR: GREEN
SEAL: SILICONE RUBBER
- MODIFICATIONS: J1939 TYPE 2 KEY ARRANGEMENT;
OPTIONAL REDUCED DIA. WIRE SEAL
(SEE NOTE 6)
- SPECIFICATIONS:
 - CURRENT RATING: 13 AMPS
 - OPERATING TEMPERATURE: -55°C TO +125°C.
 - DIELECTRIC WITHSTANDING VOLTAGE: LESS THAN 2 MILLIAMPS CURRENT LEAKAGE @ 1500 VOLTS AC.
 - INSULATION RESISTANCE: 1000 MEGOHM MIN @ 25°C.
 - MOISTURE RESISTANCE: IP67 (MATED CONDITION).
 - MATING CYCLE DURABILITY: 100 CYCLES
 - RoHS COMPLIANT
- MATING PART: AHD10-9-1939P*
(* = AVAILABLE MODIFICATIONS)
- ALL DIMENSIONS ARE FOR REFERENCE USE ONLY.

△ CONTACT SIZE AND WIRE SEAL RANGE:

PART NUMBER	SEAL TYPE	CONTACT SIZE	MIN. INSUL O.D.	MAX. INSUL O.D.	TYPICAL WIRE RANGE
AHD16-9-1939S80	STANDARD	16	2.54 mm (.100 in)	3.81 mm (.150 in)	14 - 20 AWG
AHD16-9-1939S8R	REDUCED	16	1.35 mm (.053 in)	3.05 mm (.120 in)	14 - 20 AWG

SEE NOTE 6		DESCRIPTION		ITEM
QUANTITY	PART NUMBER	DESCRIPTION		ITEM
<p>UNLESS OTHERWISE SPECIFIED</p> <p>1) All dimensions are in metric(mm). 2) Tolerances are as follows: 1 PL DEC ±0.30 2 PL DEC ±0.15 3 PL DEC ±0.08</p> <p>Fractions ±1/64 Angles ±1°</p> <p>3) Note reference = △ X</p>				
SIGNATURES		DATE		
DRAWN: D.PARKS		04DEC13		
CHECKED:				
ENGINEER:				
APPROVAL:				
MATERIAL SPECIFICATIONS:		CUSTOMER:		
PROCESS SPECIFICATIONS:		THIS DRAWING IS SUPPLIED FOR INFORMATION ONLY. DESIGN FEATURES, SPECIFICATIONS AND PERFORMANCE DATA SHOWN HEREON ARE THE PROPERTY OF THE AMPHENOL CORPORATION. NO RIGHTS OF REPRODUCTION ARE IMPLIED. ALL DIMENSIONS ARE SUBJECT TO NORMAL MANUFACTURING VARIATIONS.		
NEXT ASSY:				
<p>Amphenol</p> <p>Sine Systems - www.amphenol-sine.com 44724 Morley Drive Clinton Township, MI 48036</p>		<p>CONNECTOR, PLUG, J1939-13 TYPE 2, 9 POSITION, AHD SERIES</p>		
SIZE	TYPE	DWG NO.	REVISION	
B	C-	AHD16-9-1939S8X	A2	
SCALE:	NONE	SHEET 1 OF 1		

TITLE: CONNECTOR, PLUG, J1939-13 TYPE 2, 9 POSITION, AHD SERIES

DWG NO.:

AHD16-9-1939S8X

REV: A2

SH: 1

OF: 1