

5

4

3

2

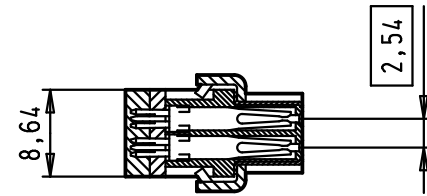
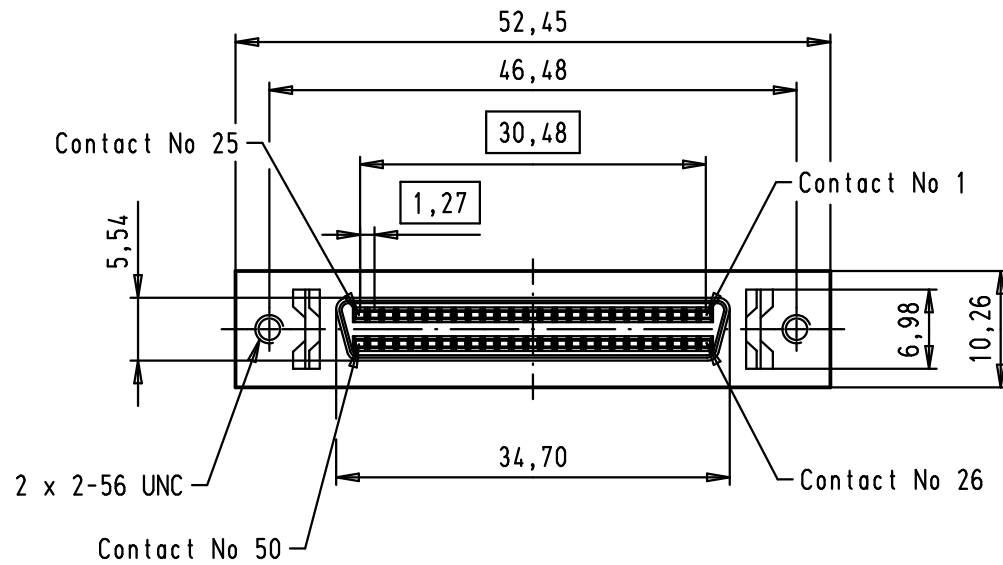
1

D

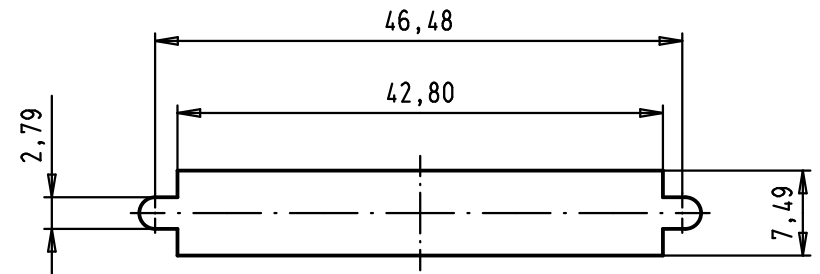
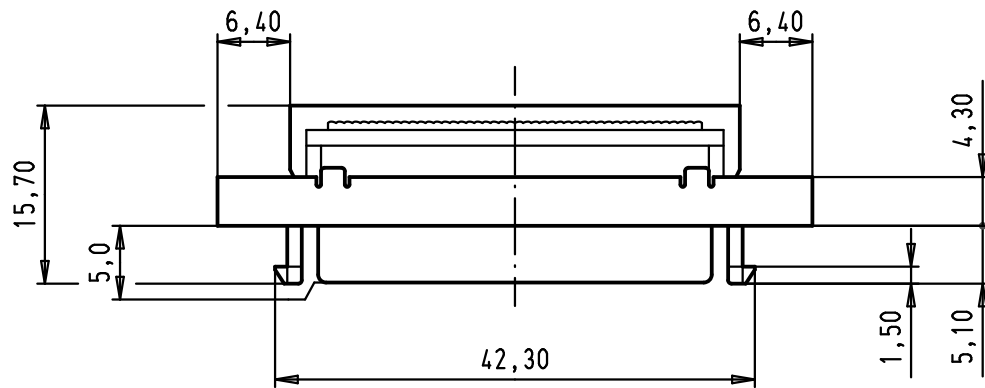
C

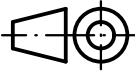

B

A



Panel cutout



				Dot.	Name	 All Dim. in mm Orig. Size DIN A 4	Har-mik [®]	I/O pin/socket	Maßstab/ Scale
				Detail.	30/08/00		ALSPACE	SCSI 2	1,5:1
				Insp.				IDC panel 50 poles female connector with 2-56 UNC threads and latches	
				Stand.					
EC00321	13/03/09	PK	HARTING EURL			 F-95972 Paris	TB 60 04 050 5343	Blatt/ Page	
27941	30/08/00	ALSPACE	Mod.	Dot.	Name				Sub.