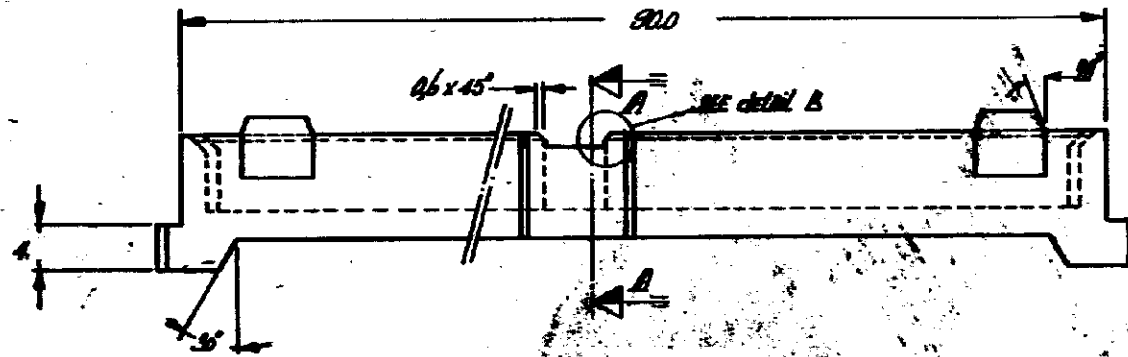
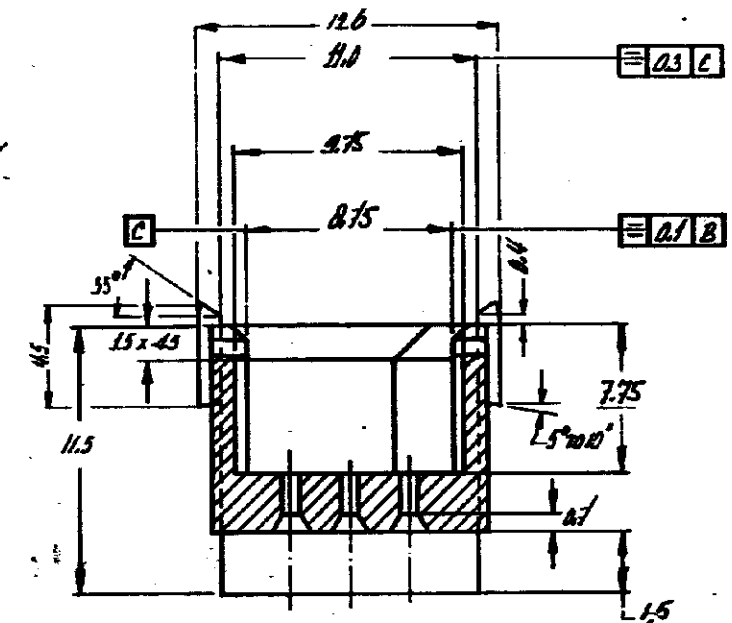
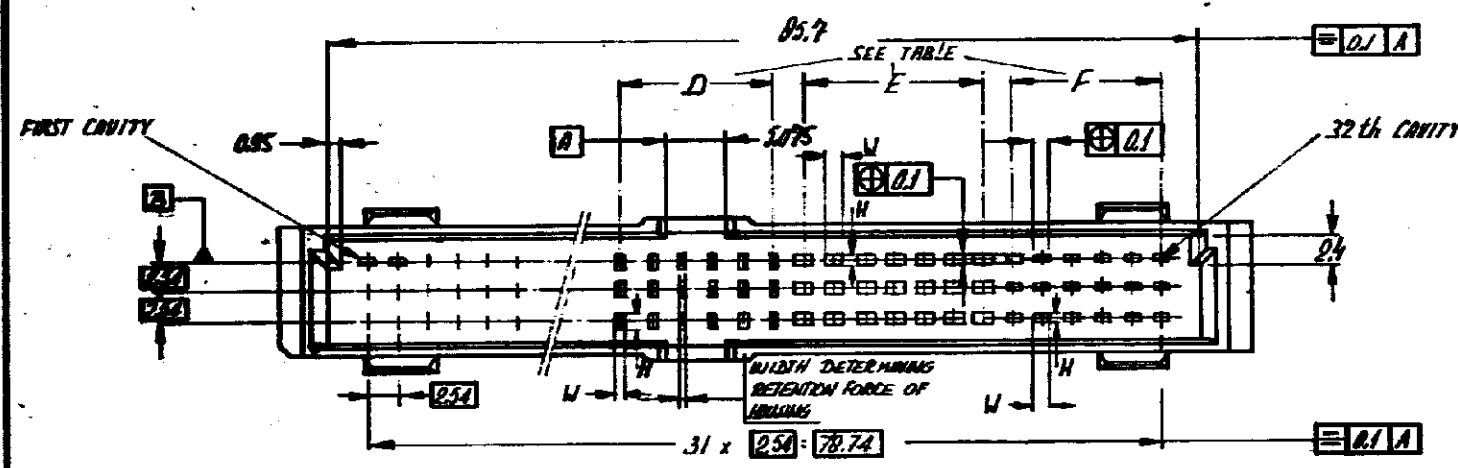
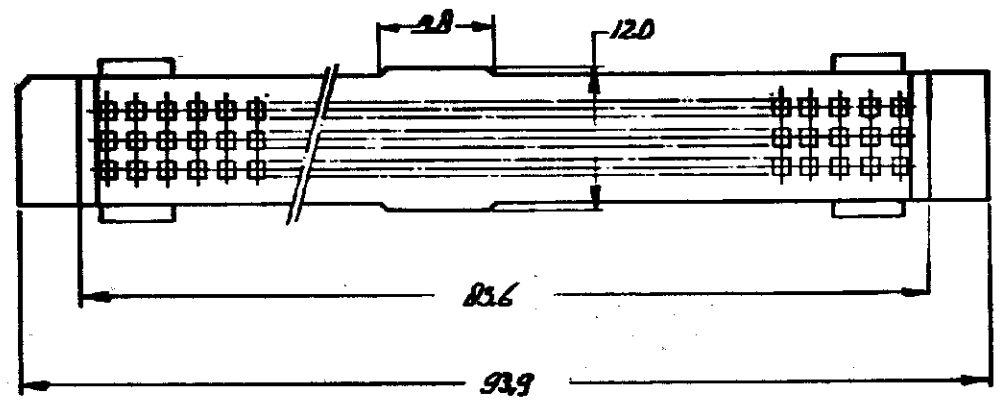
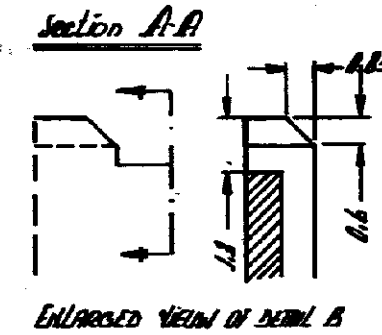


DRAWING MADE IN AMERICAN PROJECTION



CAVITY NUMBER	H	W
F 22 THROUGH 32 1 THROUGH 10	0.65	0.70
E 20 THROUGH 26 7 THROUGH 13	0.66	0.75
D 14 THROUGH 19	0.69	0.59



166397.1	Thermo Plastic Polyester 28' of Colour: Black 286 0005	
ORDER NO.	MATERIAL	PLATING
CUSTOMER COPY FOR REFERENCE ONLY		
DR C.F. David July 1960	DATE	© 1960 BY AMP-HOLLAND N.V. ALL RIGHTS RESERVED A-MP PRODUCTS COVERED BY PATENTS AND/OR PATENTS PENDING.
CHK	DATE	 AMP - HOLLAND N.V. 's-Hertogenbosch
DE	DATE	
APP [Signature]	DATE 19-8-80	WIRE RANGE SCALE B1 14:1 SIZE NO B NO C-166397-E NAME 96 Pos MALE HOUSING

IN MM. DO NOT SCALE FROM THIS DRAWING