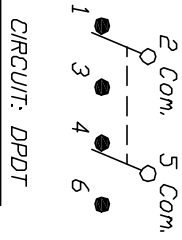


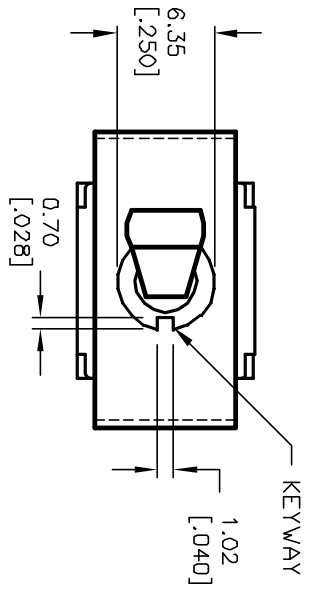
RECOMMENDED PANEL MOUNTING



SWITCH FUNCTION			
PDS. 1	PDS. 2	PDS. 3	
<DN>	DPFF	<DN>	
2-3,5-6	2-3,5-4	2-1,5-4	

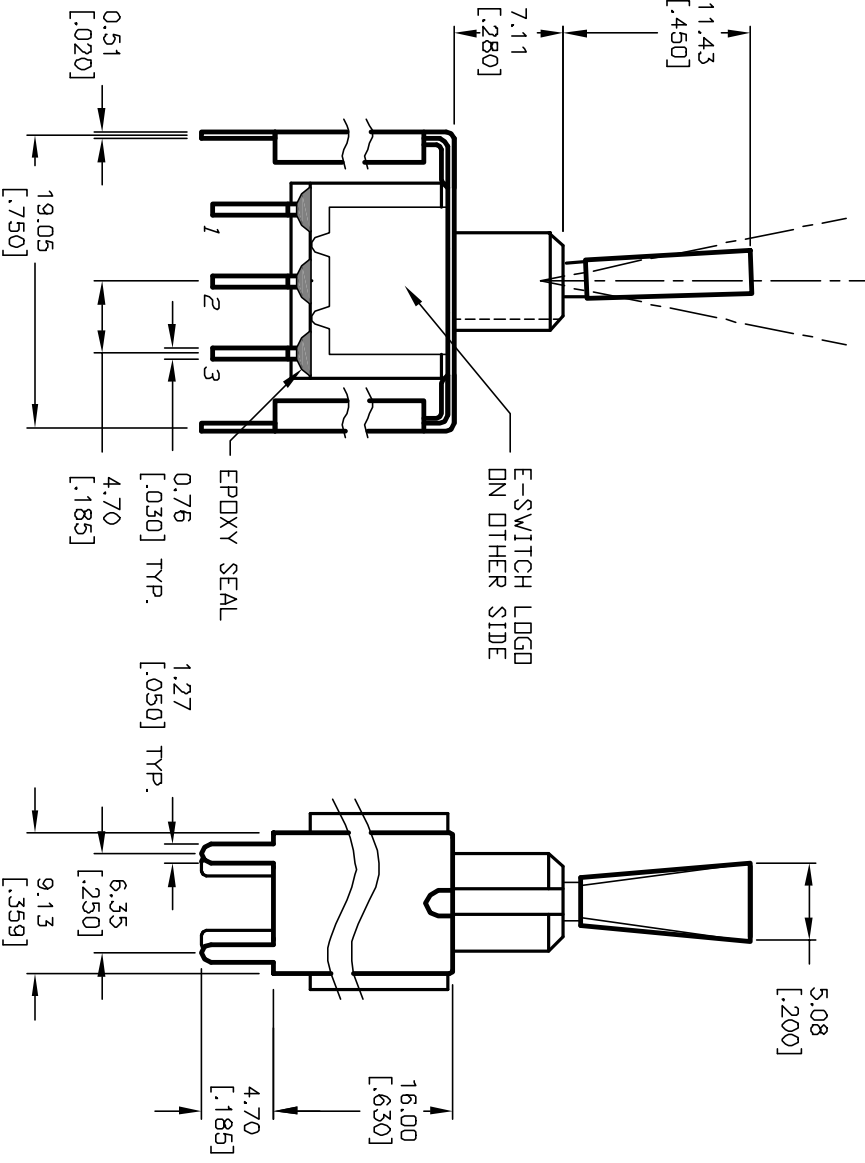
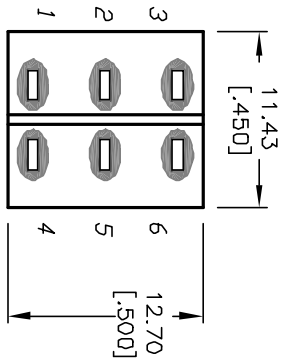
NOTES:

1. ALL DIMENSIONS IN MM [INCH]
2. GENERAL TOLERANCE: X.X=±0.4 X.XX=±0.25
()=Momentary
3. TERM. NDS. FOR REF. ONLY
4. RATING: 0.4VA @20V AC OR DC max.
5. FIXED TERM. & MOVING CONTACT:
Copper Alloy w/GOLD Plate over Nickel plate.
6. ELECTRICAL LIFE: 50,000 make-and-break cycles at full load.
7. INSULATION RESISTANCE: 1,000M ohm min.
8. DIELECTRIC STRENGTH: 1000V RMS @sea level
9. OPERATING TEMP.: -30°C to 85°C



PDS. 1
PDS. 2
PDS. 3

BOTTOM VIEW
CROPPED FOR CLARITY



E-SWITCH®

REV.	ECN No.	DESCRIPTION	DATE	CHKD	SCALE	DATE	DR	DWG	REV
A	12364	RELEASED FOR PRODUCTION	6/19/02	CJB	2:1	6/19/02	CJB	T124031	A
TITLE: 100 DP-4 T6 B12 VSS R E (GOLD CONTACTS)									
THE INFORMATION CONTAINED IN THIS DOCUMENT IS PROPRIETARY TO E-SWITCH AND IS NOT TO BE COPIED OR TRANSFERRED									