

4802, Socket, solder terminal, insulated, 3.5 mm, 2-pole, straight, UK-Connector



### Description

- Solder terminal :  
Screw-on mounting , from rear-side
- Data and Signal transfer
- Data and Signal Connectors 2-pole , insulated , straight
- Reinforced gold plating for increased insertions

### References

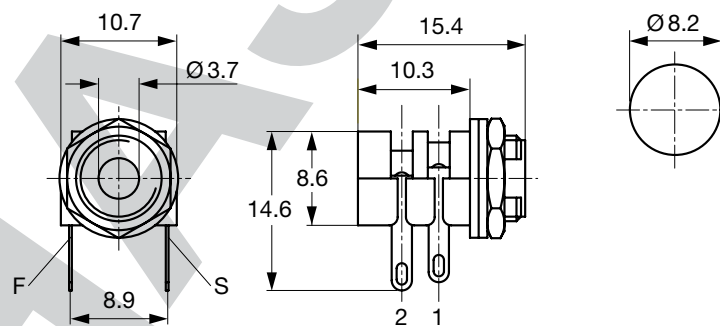
Alternative: Housing shielded [4802.2200](#)  
Last order date: 30.06.2016

### Technical Data

Diameter	3.5 mm	Allowable Operation Temperature	-20 °C to 70 °C
Number of Poles	2-pole	Terminal	solder terminal
Ratings DC	1 A / 12VDC	Mounting	Screw-on mounting wall thickness max. 2.0mm
Ratings AC	1 A / 12VAC	Housings	insulated
Dielectric Strength	500VDC	Style	straight
Insulation Resistance	> 10000 MΩ @ 500VDC	Lifetime	10000 Insertions

Detailed information on product approvals, code requirements, usage instructions and detailed test conditions can be looked up in [General Product Information](#)

### Dimensions



### Diagrams



## All Variants

Product group	Diameter [mm]	Number of Poles	Terminal	Order Number
Data and Signal Plug/ Sockets	3.5	2-pole	solder terminal	4802.2210

Most Popular.

Availability for all products can be searched real-time:<http://www.schurter.com/en/Stock-Check/Stock-Check-SCHURTER>

Packaging unit 100 Pcs

PHASE-OUT