

DWG. IO.
SD-35021-002

SIMILAR ITEM

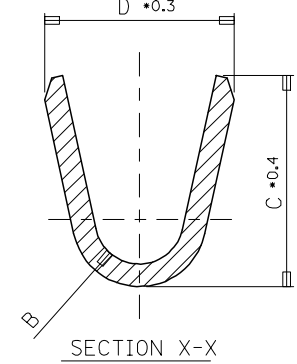
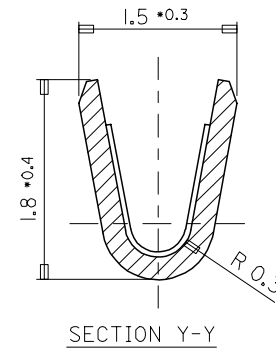
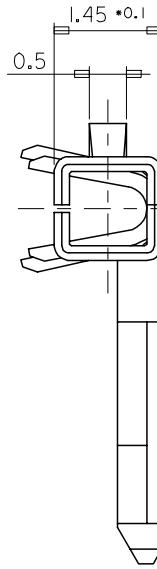
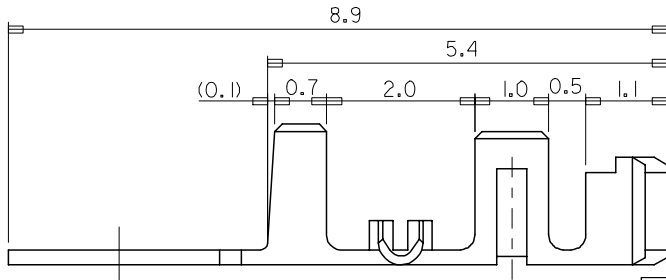
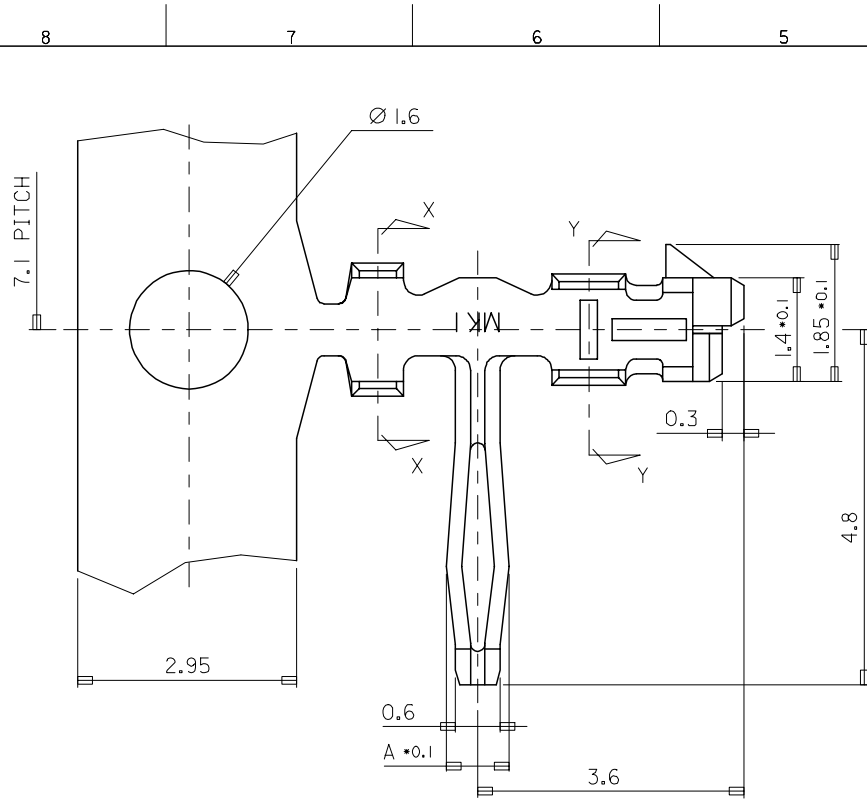
PROJECT NO.

C

B

DO NOT SCALE DRAWING
DIMENSION IN METRIC

LEAD FREE



NOTES:

1. MATERIAL
 - 1) BRASS (CDA 260)
 - 2) PHOSPHOR BRONZE (CDA 510)
2. FINISH
 - TIN(Sn) THICKNESS = 3.0 MICROMETER MINIMUM
 - NICKEL(Ni) UNDERPLATE THICKNESS=1~3 MICROMETER
3. USED HOUSING : 35022-00**/35023-00**/68418-***00
4. THIS PRODUCT IS LEAD FREE OF 35021-***10

POST-PLATED	PHOS. BRON.	AWG #24-#30 (INS. DIA: Ø 1.5 MAX.)	1.8	1.9	R0.4	0.85	350211360	35021-1360
POST-PLATED	PHOS. BRON.	AWG #22-#30 (INS. DIA: Ø 1.9 MAX.)	2.5	2.5	R0.7	1.05	350211160	35021-1160
PLATING	MATERIAL	WIRE RANGE	D	C	B	A	MAT'L NO.	ENG NO.

REVISED EC NO. K0R2007-0069 DRWN: H.JEONG 2006/12/22 CHK: K.S.KIM 2006/12/22 APPR: Y.SOOKIM 2006/12/22	QUALITY SYMBOLS MAJOR = CRITICAL =	GENERAL TOLERANCES: (UNLESS SPECIFIED)		SCALE 15-1	DESIGN UNITS <input checked="" type="checkbox"/> mm <input type="checkbox"/> INCH	THIRD ANGLE PROJECTION 	DIMENSIONS: <input type="checkbox"/> mm <input type="checkbox"/> INCH <input type="checkbox"/> mm <input checked="" type="checkbox"/> ONLY	SHT REV
		4 PLACES ±0. ±	3 PLACES ±0. ±	2 PLACES ±0. ±	1 PLACE ±0.3 ±	ANGULAR: ± 1 °	DRAWN BY & DATE HSSHIN	CHECKED BY & DATE JKOH
REV	DESCRIPTION	DRAFT WHERE APPLICABLE MUST REMAIN WITHIN DIMENSIONS		CAD FILENAME SD35021.DGN	MATERIAL NO. SEE TABLE	DRAWING NO. SD-35021-002	SHEET NO. 1 OF 1	REVISE ON CAD ONLY
		THIS DRAWING CONTAINS INFORMATION THAT IS PROPRIETARY TO MOLEX INCORPORATED AND SHOULD NOT BE USED WITHOUT WRITTEN PERMISSION.						SIZE B

MX-A3