



soberton inc.

PB PIEZO AUDIO BUZZER

Acoustic Product Specification

Product Number: PB-4218NL



Release | Revision: B/2018

CONTENTS

This document contains the technical specifications for the piezo audio buzzer.

Page 1

Specifications

Mechanical Characteristics

Page 2

Environment Test

Reliability Test

Page 3

Measuring Method (Speaker Mode)

Page 4

Dimensions

Page 5

Packing

Specifications

Item	Unit	Specification	Condition
Rated Voltage	VDC	9.0	
Operating Volt	VDC	6.0 ~ 12.0	
Mean Current	mA	50 Max.	At 9.0 VDC
Sound Output	dBa	95	At 30cm/9.0VDC
Resonant Frequency	Hz	2800 ±500	
Operating Temp	°C	-20 ~ +60	
Storage Temp	°C	-20 ~ +70	
Dimension	mm	41.8 x 18	
Housing Material	gram	18	
Material		ABS (black)	
Terminal		Wire type	Wire (150mm) UL1007/AWG26#
Environmental Protection Regulation		RoHS	

Test condition:

Temperature: +25±2 °C Related humidity: 65±5%

Mechanical Characteristics

Item	Test condition	Evaluation standard
Lead Wire Pull Strength	The pull force will be applied to double lead wire : Horizontal: 3.0N(0.306kg) for 30 seconds. Vertical: 2.0N(0.204kg) for 30 seconds.	No damage and cutting off
Vibration	Buzzer will be measured after being applied vibration of amplitude of 1.5mm with 10Hz to 55Hz band of vibration frequency to each of 3 perpendicular directions for 2 hours.	The value of oscillation frequency/ current consumption would be in ±10% compared with initial ones.
Drop test	The part only will be dropped from a height of 70cm onto a 40mm thick wooden board 3 times in 3 axes(X,Y,Z). A total of 9 times.	The SPL would be in ±10dB compared with initial one.



soberton inc.

PB PIEZO AUDIO BUZZER

Acoustic Product Specification

Product Number: PB-4218NL



Release | Revision: B/2018

CONTENTS

This document contains the technical specifications for the piezo audio buzzer.

Page 1

Specifications

Mechanical Characteristics

Page 2

Environment Test

Reliability Test

Page 3

Measuring Method (Speaker Mode)

Page 4

Dimensions

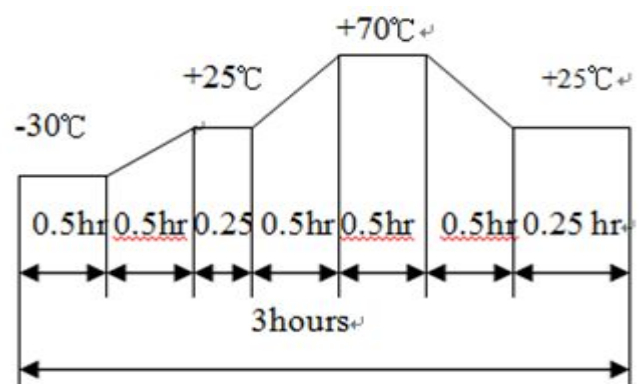
Page 5

Packing

Environment Test

Item	Test condition	Evaluation standard
High temp. test	After being placed in a chamber at +70°C for 96 hours	Being placed for 4 hours at +25°C, buzzer will be measured.
Low temp. test	After being placed in a chamber at -30°C for 96 hours	The value of oscillation, frequency / current consumption would be in ±10% compared with initial ones.
Humidity test	After being placed in a chamber at +70°C and 90±5% relative humidity for 96 hours	The SPL would be in ±10dB compared with initial one.

Temp cycle test
The part will be subjected to 5 cycles.
One cycle shall consist of:



Reliability Test

Item	Test condition	Evaluation standard
Operating life test	<p>1. Continuous life test 48 hours continuous operation at +55°C with maximum rated voltage applied</p> <p>2. Intermittent life test A duty cycle of 1 minute on, 1 minutes off, a minimum of 1000 times at +25±2°C and maximum rated voltage applied</p>	<p>After test, the part will meet specifications without any degradation in appearance and performance except SPL, after 4 hours at +25°C.</p> <p>The SPL would be in±10dBA compared with initial one.</p>

Standard test condition:

- a) Temperature: +5~+35°C
- b) Humidity: 45~85%
- c) Pressure: 860~1060mbar



soberton inc.

PB PIEZO AUDIO BUZZER

Acoustic Product Specification

Product Number: PB-4218NL



Release | Revision: B/2018

CONTENTS

This document contains the technical specifications for the piezo audio buzzer.

Page 1

Specifications

Mechanical Characteristics

Page 2

Environment Test

Reliability Test

Page 3

Measuring Method (Speaker Mode)

Page 4

Dimensions

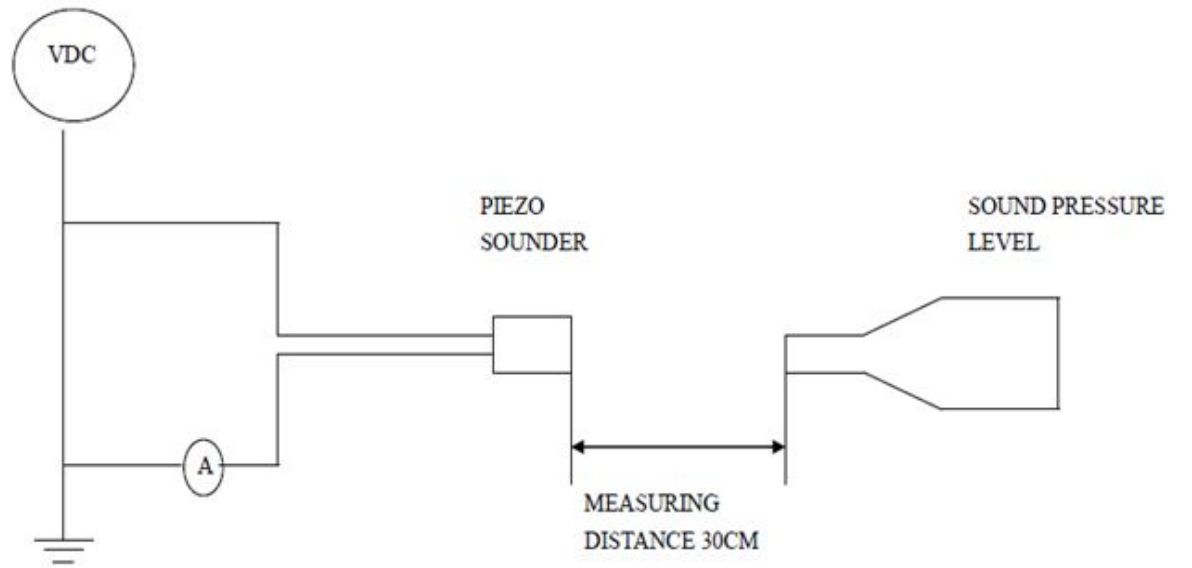
Page 5

Packing

Measuring Method (Speaker Mode)

S.P.L Measuring Circuit

Input Signal: 9.0 VDC



MIC: S.P.L meter TES1351B or equivalent



soberton inc.

PB PIEZO AUDIO BUZZER

Acoustic Product Specification

Product Number: PB-4218NL



Release | Revision: B/2018

CONTENTS

This document contains the technical specifications for the piezo audio buzzer.

Page 1

Specifications

Mechanical Characteristics

Page 2

Environment Test

Reliability Test

Page 3

Measuring Method (Speaker Mode)

Page 4

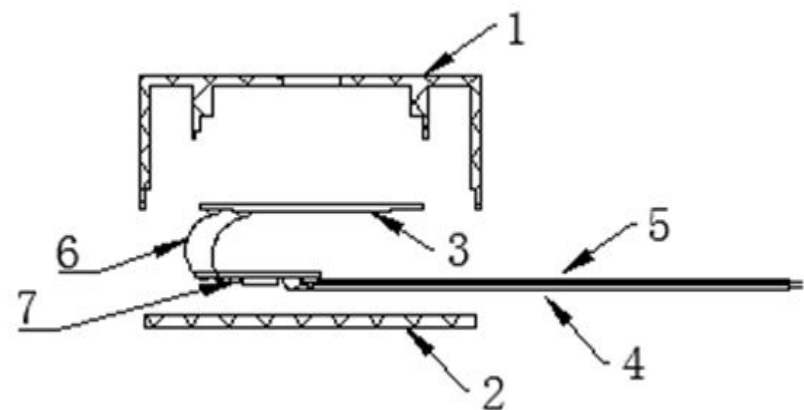
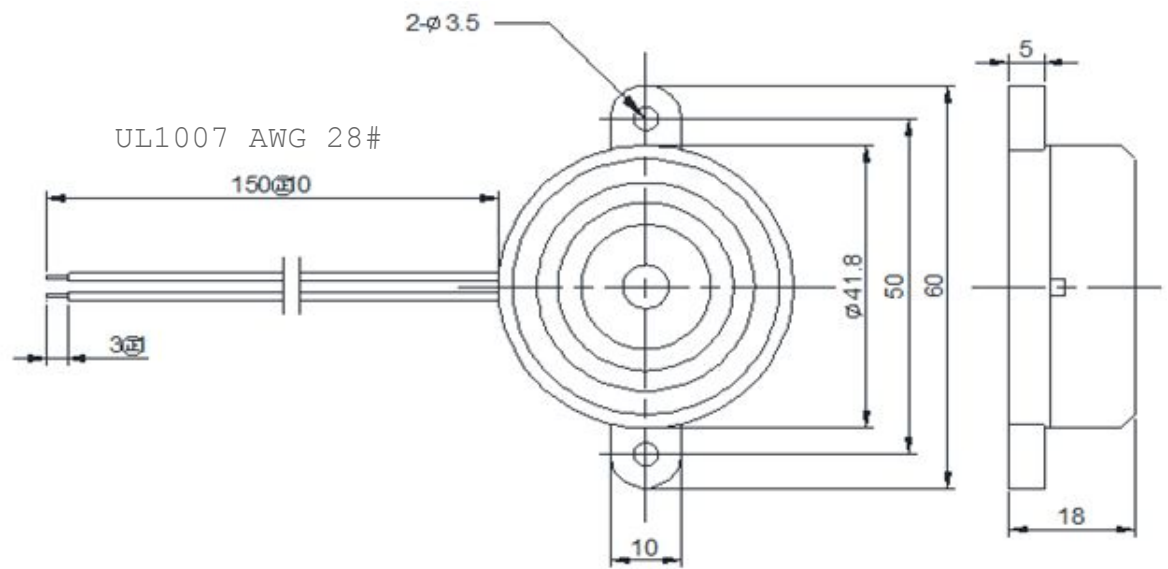
Dimensions

Page 5

Packing

Dimensions

Tolerance: ± 0.5 (unit: mm)



No.	Part Name	Material	Quantity
1	Case	ABS	1
2	Cover	ABS	1
3	Piezo	Brass + ceramics	1
4	Wire	UL1007 AWG 28#	1
5	Wire	UL1007 AWG 28#	1
6	Wire	Copper	3
7	PCB	Epoxy	1



soberton inc.

PB PIEZO AUDIO BUZZER

Acoustic Product Specification

Product Number: PB-4218NL



Release | Revision: B/2018

CONTENTS

This document contains the technical specifications for the piezo audio buzzer.

Page 1

Specifications

Mechanical Characteristics

Page 2

Environment Test

Reliability Test

Page 3

Measuring Method (Speaker Mode)

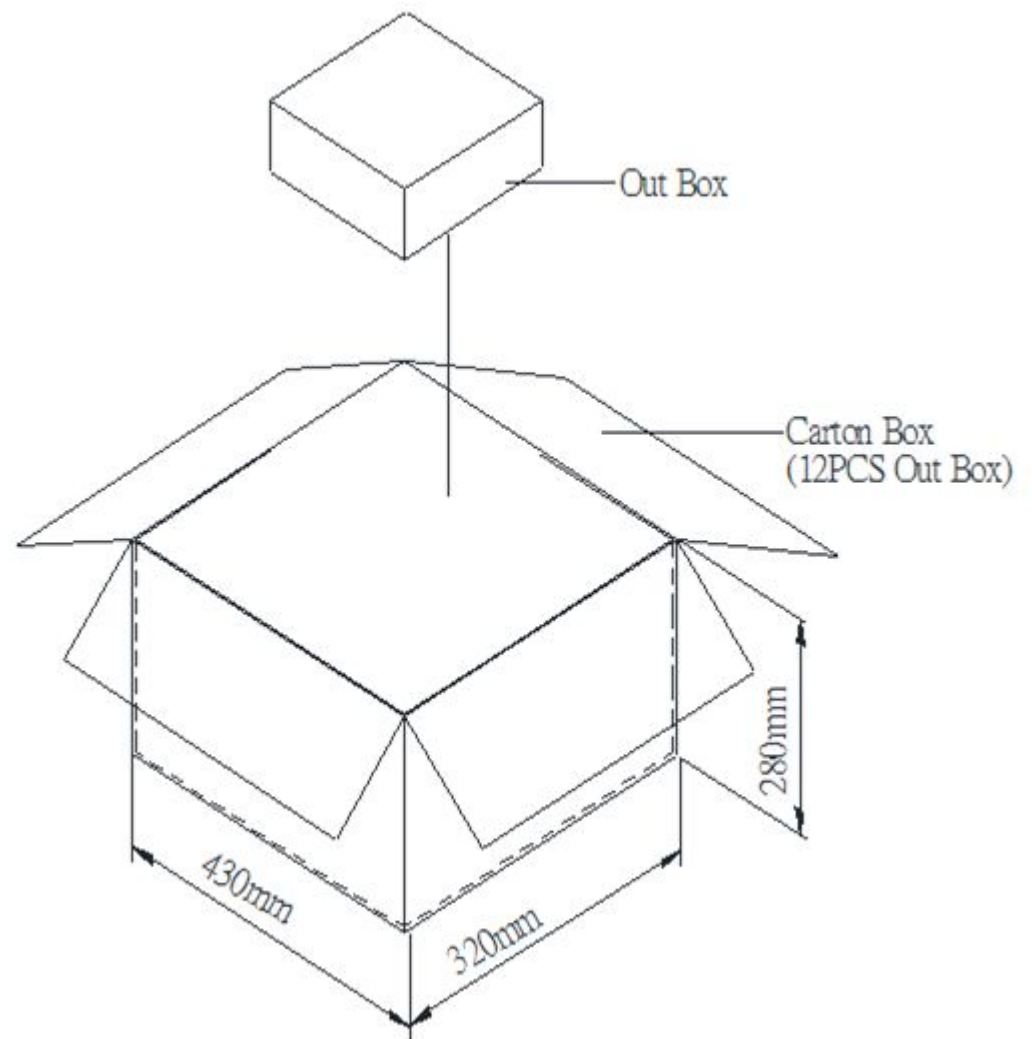
Page 4

Dimensions

Page 5

Packing

Packing



Details

	Size (mm)	Quantity (pcs)
Small carton	300 x 200 x 50	72
Carton	430 x 320 x 280	864