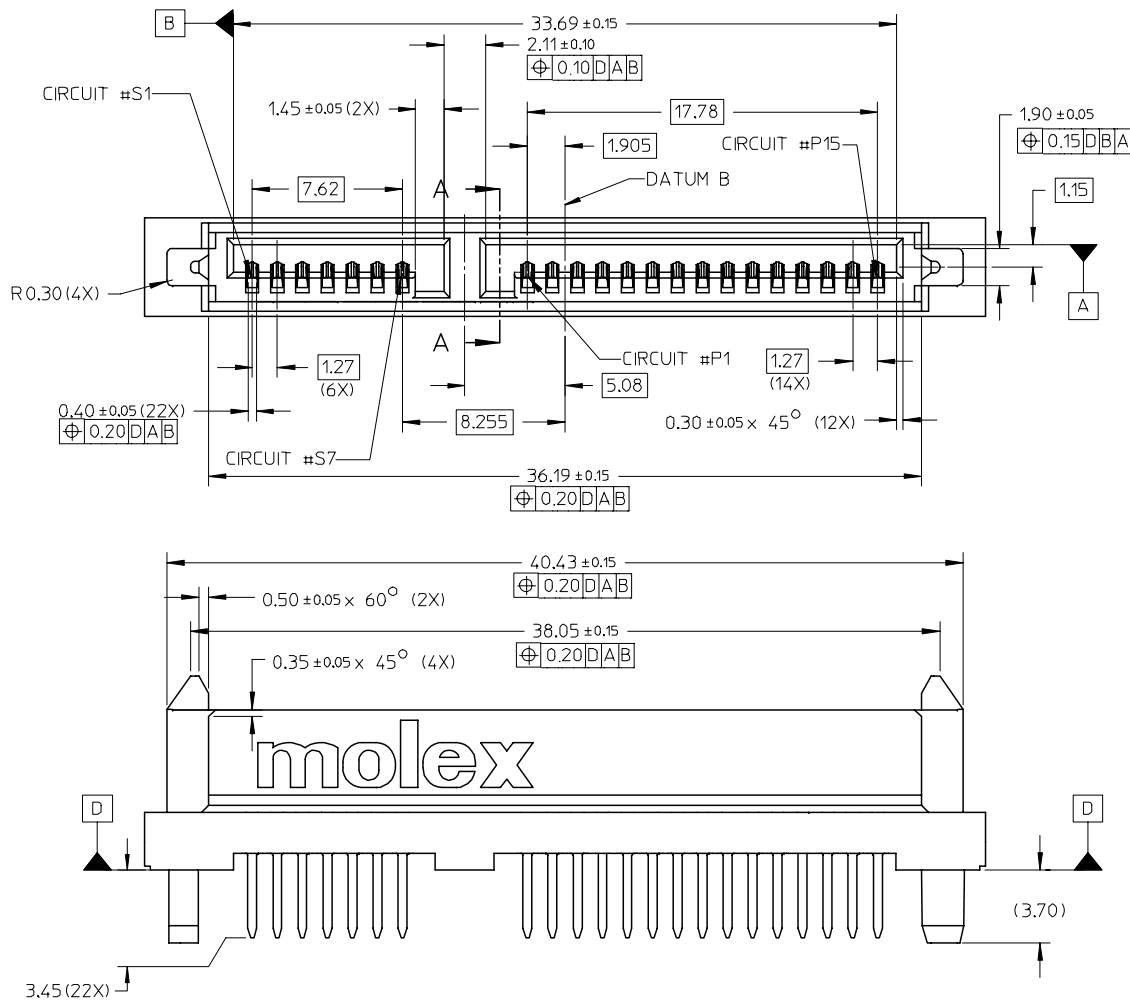
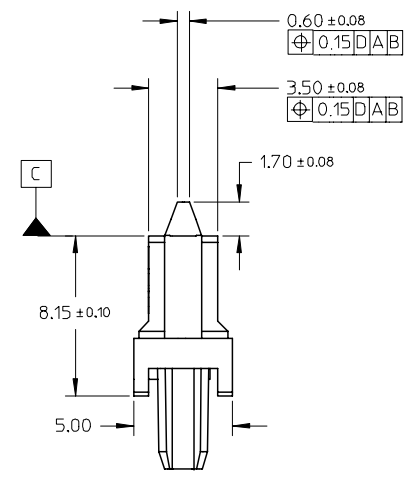


10 9 8 7 6 5 4 3 2 1

F
E
D
C
B
A



- NOTES:
- MATERIAL: LIQUID CRYSTALLINE POLYMER (LCP), GLASS FILLED
UL 94V-0, COLOR: BLACK
TERMINAL: COPPER ALLOY
 - PLATING:
CONTACT: 0.76 μ m MIN. SELECTIVE GOLD OVER 1.27 μ m MIN. NICKEL UNDERPLATE
SOLDERTAIL: 2.54 μ m MIN. TIN OVER 1.27 μ m MIN. NICKEL UNDERPLATE
 - MOLEX LOGO LOCATED APPROXIMATELY AS SHOWN
 - MAXIMUM WARPAGE OF 0.13 mm OVER THE LENGTH OF THE CONNECTOR IN ANY DIRECTION BEFORE AND AFTER EXPOSURE TO MAX. 260°C FOR 10 SECONDS
 - PRODUCT SPECIFICATION: AFS-87779-011 APPLIES
 - PACKAGING: 30 CONNECTORS PER TRAY
 - MATES WITH SATA PLUG SERIES: 87679, 87703, 87799.



molex

OBS TIN/LEAD P/N	2006/04/04
EC NO: S2006-0984	2006/04/04
DRWN:MLONG	2006/04/04
CHKD:CGTAN	2006/04/04
APPR:KCLING	2006/04/04

QUALITY SYMBOLS	DESCRIPTION
$\nabla=0$	
$\triangle=0$	

GENERAL TOLERANCES (UNLESS SPECIFIED)	
	MM ONLY
4 PLACES	± ---
3 PLACES	± ---
2 PLACES	± 0.20
1 PLACE	± ---
ANGULAR ± 3°	
DRAFT WHERE APPLICABLE MUST REMAIN WITHIN DIMENSIONS	

DIMENSION STYLE	
MM ONLY	
DRAWN BY	DATE
DKOH	2003/11/24
CHECKED BY	DATE
KCLING	2003/12/03
APPROVED BY	DATE
SKTOH	2003/12/03
MATERIAL NO.	
87779-1001	

SCALE	DESIGN UNITS	THIRD ANGLE PROJECTION
NTS	METRIC	
TITLE		
SERIAL ATA, BACKPLANE STD HEIGHT, RECEPT., T/H		
MOLEX MOLEX INCORPORATED		
MATERIAL NO.	DOCUMENT NO.	SHEET NO.
87779-1001	SD-87779-020	1 OF 4
THIS DRAWING CONTAINS INFORMATION THAT IS PROPRIETARY TO MOLEX INCORPORATED AND SHOULD NOT BE USED WITHOUT WRITTEN PERMISSION		

9 8 7 6 5 4 3 2 1

10 9 8 7 6 5 4 3 2 1

F F

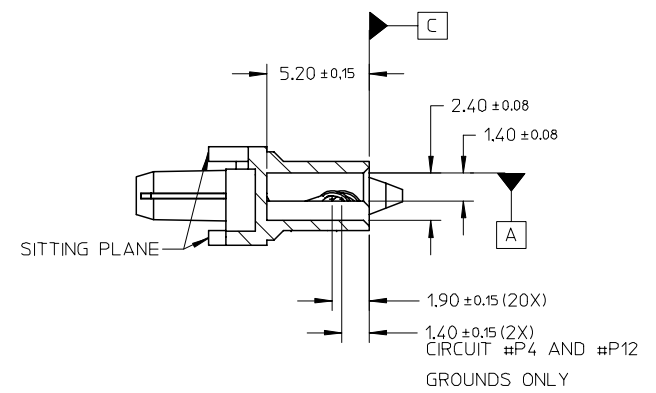
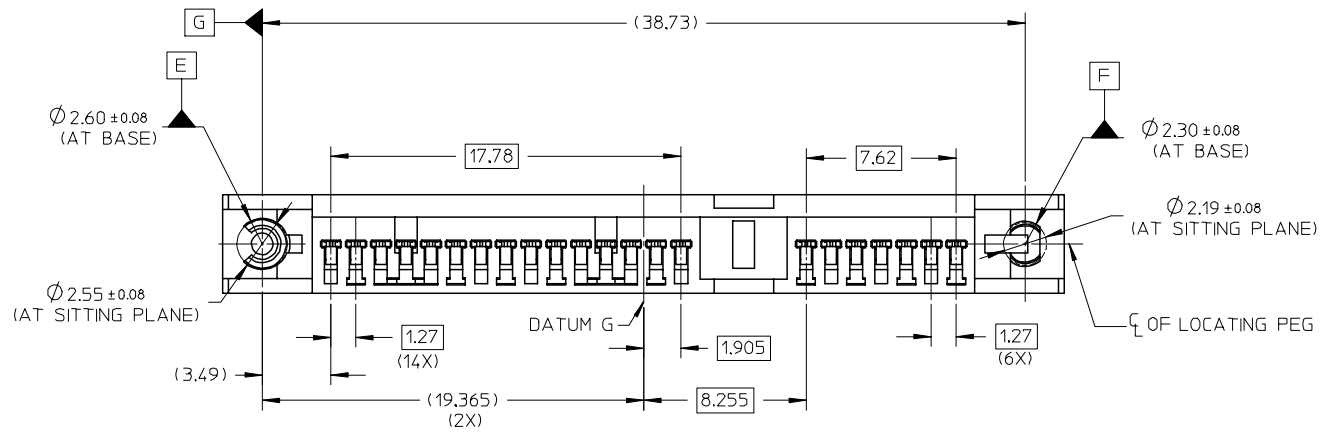
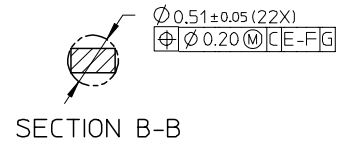
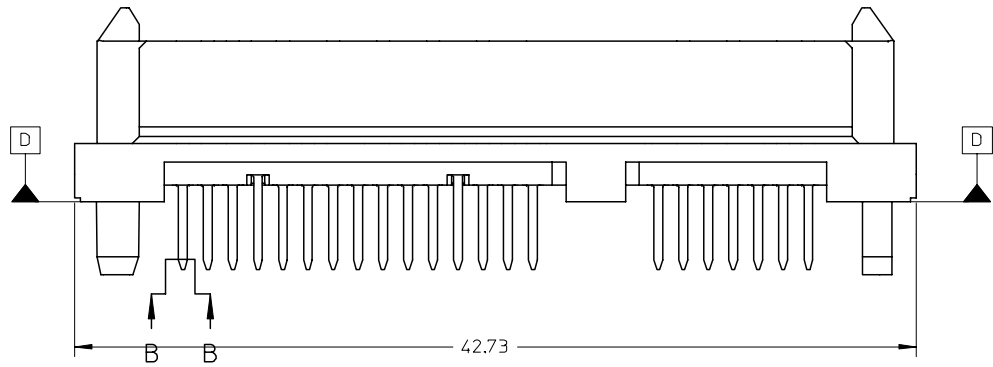
E E

D D

C C

B B

A A



SECTION A-A

OBS TIN/LEAD P/N EC NO: S2006-0984 DRWN:MLONG CHKD:CGTAN APPR:KCLING	REV DESCRIPTION	QUALITY SYMBOLS	GENERAL TOLERANCES (UNLESS SPECIFIED)	DIMENSION STYLE		SCALE	DESIGN UNITS	THIRD ANGLE PROJECTION			
		▽=0 ∇=0		MM ONLY	NTS	METRIC	TITLE				
				mm	INCH	DRAWN BY		DATE		SERIAL ATA, BACKPLANE STD HEIGHT, RECEPT., T/H	
				4 PLACES ± ---	± ---	DKOH	2003/11/24				
	3 PLACES ± ---	± ---	CHECKED BY	DATE	MOLEX INCORPORATED		SHEET NO. 2 OF 4				
	2 PLACES ± 0.20	± ---	KCLING	2003/12/03							
	1 PLACE ± ---	± ---	APPROVED BY	DATE	MATERIAL NO. 87779-1001		DOCUMENT NO. SD-87779-020				
	ANGULAR ± 3 °		SKTOH	2003/12/03							
			DRAFT WHERE APPLICABLE MUST REMAIN WITHIN DIMENSIONS	SIZE A3		THIS DRAWING CONTAINS INFORMATION THAT IS PROPRIETARY TO MOLEX INCORPORATED AND SHOULD NOT BE USED WITHOUT WRITTEN PERMISSION					

9 8 7 6 5 4 3 2 1

10 9 8 7 6 5 4 3 2 1

F F

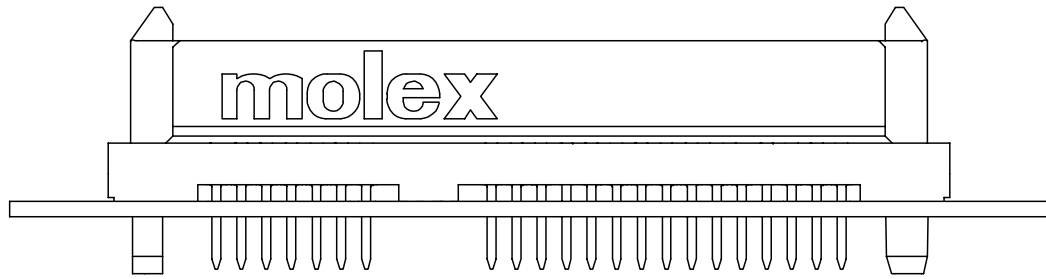
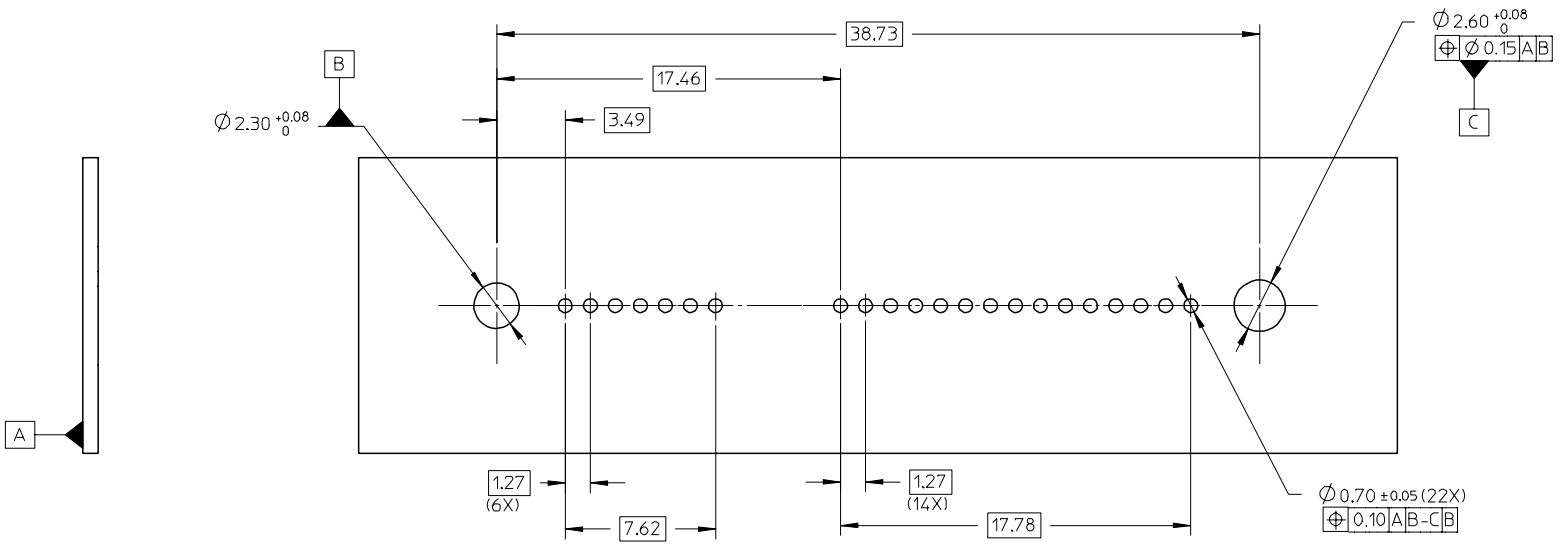
E E

D D

C C

B B

A A



PCB THICKNESS: 0.80 TO 2.54mm
RECOMMENDED PCB LAYOUT

OBS TIN/LEAD P/N EC NO: S2006-0984 DRWN:MLONG CHKD:CGTAN APPR:KCLING	2006/04/04 2006/04/04 2006/04/04 2006/04/04	QUALITY SYMBOLS ▽=0 ▽=0	GENERAL TOLERANCES (UNLESS SPECIFIED)		DIMENSION STYLE MM ONLY		SCALE	DESIGN UNITS	THIRD ANGLE PROJECTION		
				mm	INCH	NTS	METRIC				
			4 PLACES	± ---	± ---	DRAWN BY	DATE	TITLE			
			3 PLACES	± ---	± ---	DK0H	2003/11/24	SERIAL ATA, BACKPLANE STD HEIGHT, RECEPT., T/H			
	2 PLACES	± 0.20	± ---	CHECKED BY	DATE						
	1 PLACE	± ---	± ---	KCLING	2003/12/03						
	ANGULAR ± 3 °		APPROVED BY	DATE	MOLEX INCORPORATED						
	DRAFT WHERE APPLICABLE MUST REMAIN WITHIN DIMENSIONS		SKT0H	2003/12/03	DOCUMENT NO.		SHEET NO.				
			MATERIAL NO. 87779-1001		SD-87779-020		3 OF 4				
			THIS DRAWING CONTAINS INFORMATION THAT IS PROPRIETARY TO MOLEX INCORPORATED AND SHOULD NOT BE USED WITHOUT WRITTEN PERMISSION								

9 8 7 6 5 4 3 2 1

10 9 8 7 6 5 4 3 2 1

F

F

E

E

D

D

C

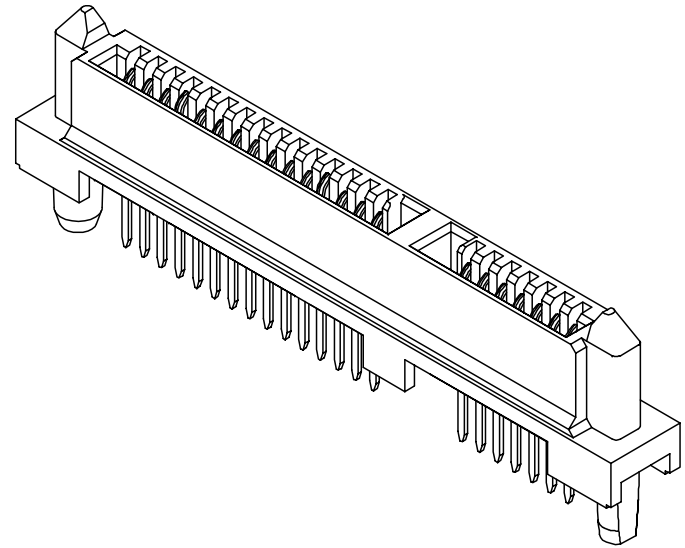
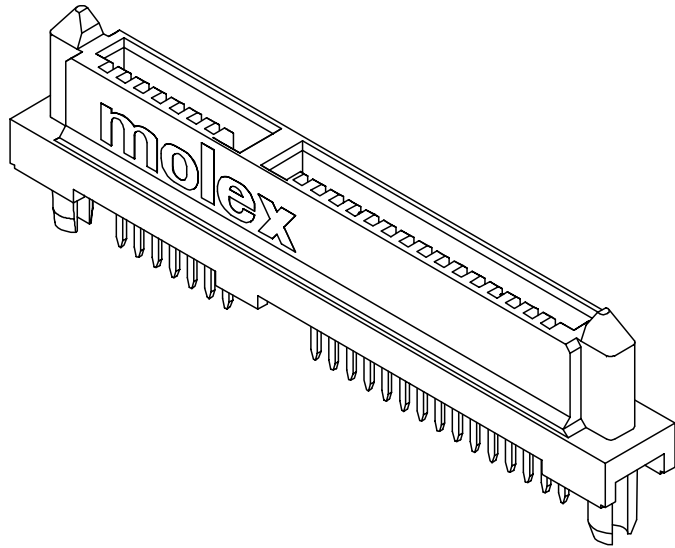
C

B

B

A

A



OBS TIN/LEAD P/N EC NO: S2006-0984 DRWN:MLONG CHKD:CGTAN APPR:KCLING	2006/04/04	DESCRIPTION REV
	2006/04/04	
	2006/04/04	
	2006/04/04	

QUALITY SYMBOLS
▽=0
∇=0

GENERAL TOLERANCES (UNLESS SPECIFIED)	
	mm INCH
4 PLACES	± --- ± ---
3 PLACES	± --- ± ---
2 PLACES	± 0.20 ± ---
1 PLACE	± --- ± ---
ANGULAR ± 3 °	
DRAFT WHERE APPLICABLE MUST REMAIN WITHIN DIMENSIONS	

DIMENSION STYLE MM ONLY	
DRAWN BY	DATE
DKOH	2003/11/24
CHECKED BY	DATE
KCLING	2003/12/03
APPROVED BY	DATE
SKTOH	2003/12/03
MATERIAL NO.	87779-1001
SIZE	A3

SCALE NTS	DESIGN UNITS METRIC	THIRD ANGLE PROJECTION
TITLE SERIAL ATA, BACKPLANE STD HEIGHT, RECEPT., T/H		
MOLEX INCORPORATED		
DOCUMENT NO. SD-87779-020	SHEET NO. 4 OF 4	
THIS DRAWING CONTAINS INFORMATION THAT IS PROPRIETARY TO MOLEX INCORPORATED AND SHOULD NOT BE USED WITHOUT WRITTEN PERMISSION		

9 8 7 6 5 4 3 2 1