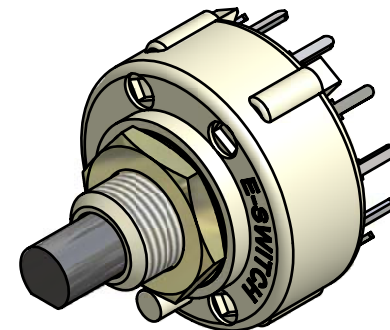
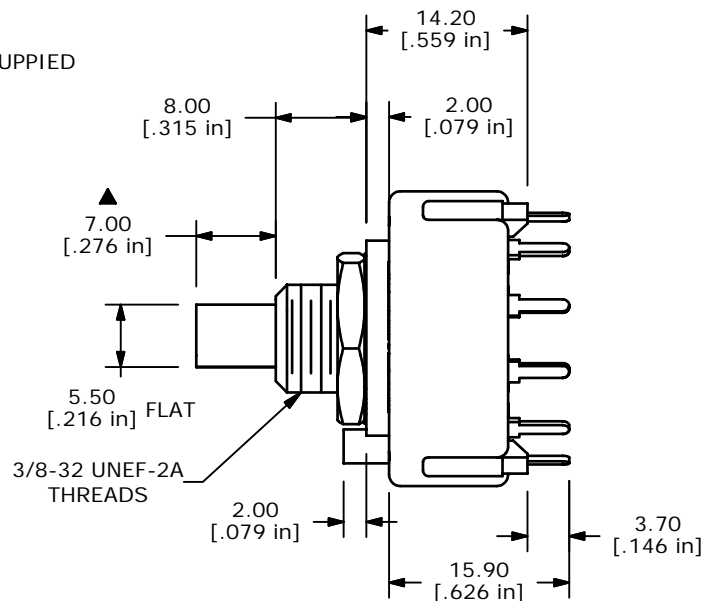
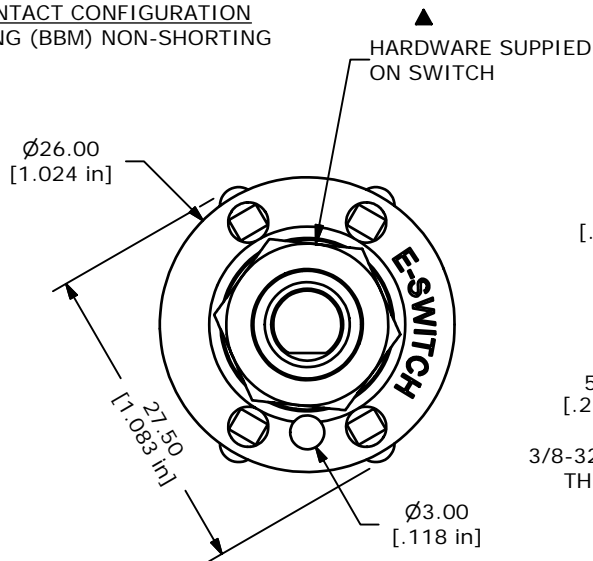
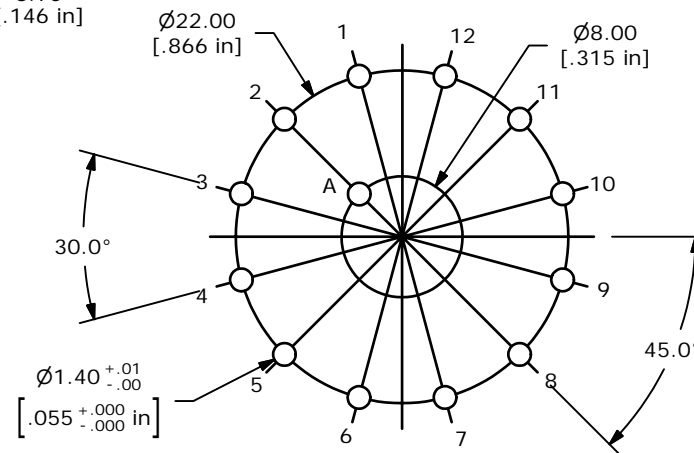
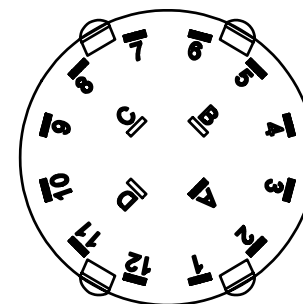


CONTACT CONFIGURATION
TIMING (BBM) NON-SHORTING



ISOMETRIC



P.C.B MOUNTING LAYOUT

- NOTE:
1. ALL DIMENSIONS IN MM[INCH].
 2. GENERAL TOLERANCE: X.X=±0.4
X.XX=±0.25
 3. TERM. NOS. FOR REFERENCE ONLY.
 4. CONTACT MATERIAL: SILVER
 5. CONTACT RATING: 300mA @ 125 VAC
 6. CONTACT RATING (NON-SWITCHING) 5A
 7. OPERATING FORCE: 800± 300 gm-cm
 8. OPERATING TEMP: -30°C TO 85°C
 - ▲ 9. CIRCUIT SP: 12 POSITION 30° INDEX.
 10. DIELECTRIC STRENGTH: 500VAC FOR 1 MIN.
 - ▲ 11. HARDWARE SUPPLIED ON SWITCH:
LOCKWASHER, HEXNUT
 12. ▲ DENOTES CRITICAL PARAMETER.

E-SWITCH®

TITLE KC52A7.001NPS

A	15305	RELEASED FOR PRODUCTION	9/21/05	PH
REV	PCR NO	DESCRIPTION	DATE	BY

SCALE	DATE	DR	DWG	REV
1.5:1	9/21/2005	PH	G510356	A

THE INFORMATION CONTAINED IN THIS DOCUMENT IS PROPRIETARY TO E-SWITCH AND IS NOT TO BE COPIED OR TRANSFERRED