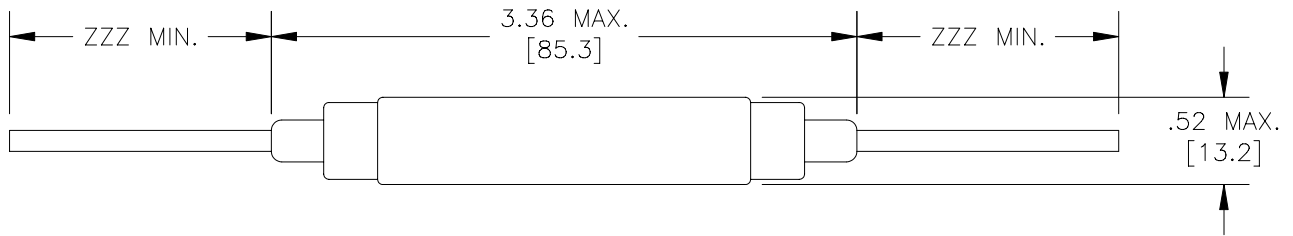
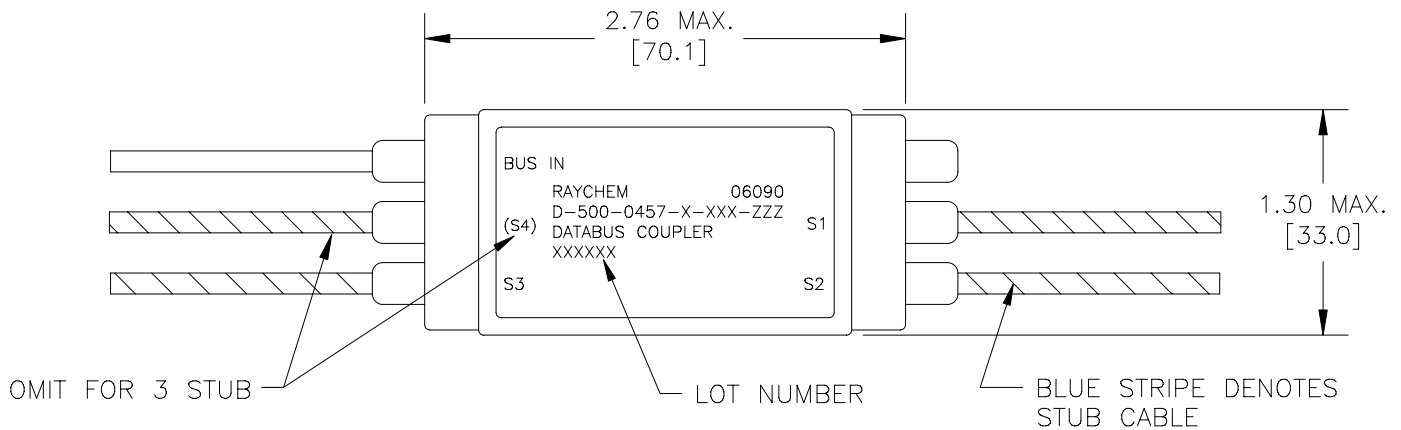


REVISION		
REV	DESCRIPTION	DATE
A	REVISED PER DCR NUMBER T31570	6/12/03



PART NO. D-500-0457-X-XXX-ZZZ

NUMBER OF STUBS (3 OR 4) ————
 ———— LENGTH OF CABLE (INCHES EG. 024=24 IN.)
 ———— CABLE TYPE
 612: 10612 (SINGLE OPTIMIZED BRAID)
 613: 10613 (DOUBLE OPTIMIZED BRAID)
 614: 10614 (EMP HARDENED)

**If this document is printed it becomes uncontrolled.
 Check for the latest revision.**

SPECIFICATION CONTROL DRAWING

UNLESS OTHERWISE SPECIFIED DIMENSIONS ARE INCHES. METRIC DIMENSIONS ARE IN BRACKETS.

DECIMAL TOLERANCES
 .XXX ± 0.005 [0.13 mm]
 .XX ± 0.010 [0.25 mm]
 .X ± 0.020 [0.50 mm]

ANGLE TOLERANCE
 .X ± 0.5 DEG.

WEIGHT
 SEE NOTES

DRAWN
 T RATZLAFF

DATE
 12DEC2001

MATERIAL

FINISH

THIRD ANGLE PROJECTION

	Tyco Electronics 300 CONSTITUTION DRIVE MENLO PARK, CALIFORNIA 94025 USA		
	TITLE DATABUS COUPLER, STANDARD, THREE/FOUR STUB, IN-LINE, WITH INTERNAL TERMINATOR		
SIZE A	CODE IDENT. NO. 06090	DWG. NO. D-500-0457-3/4-XXX-ZZZ	
DO NOT SCALE THIS DRAWING			SHEET 1 OF 2

CAD FILE T31570A

1. MATERIAL AND FINISHES:

1.1 INTERNAL COMPONENTS

1.1.1 TRANSFORMER COMPLIES TO MIL-PRF-21038 AND MIL-STD-1553B

1.1.2 ISOLATION RESISTORS TO MIL-PRF-39007/9, 57.6 OHMS (R1)

1.1.3 TERMINATION RESISTORS TO MIL-PRF-39007/9, 76.8 OHMS (R2)

1.2 SHIELDED CASE: ALUMINUM PER ASTM-B618

1.3 CABLE TYPE PER RAYCHEM SPECIFICATION 1200 (SEE PART NO. ON SHEET 1).

1.4 ENVIRONMENTAL COVERING: BLACK EPOXY

2. APPLICATION

2.1 THIS COUPLER IS DESIGNED TO BE INSTALLED INTO A DIGITAL MULTIPLEX ASSEMBLY MEETING THE REQUIREMENTS OF MIL-STD-1553B.

2.2 FOR CABLE SPLICING USE FLEXIBLE SPLICE KIT D-150-0708-5 (NOT SUPPLIED).

2.3 CABLE BEND RADIUS PER SAE-AS50881 STATIC BEND: 5 X CABLE O.D. MIN.
DYNAMIC BEND: 10 X CABLE O.D. MIN.

3. TEMPERATURE:

3.1 OPERATING TEMPERATURE: -65°C TO +150°C

4. PERFORMANCE SPECIFICATIONS:

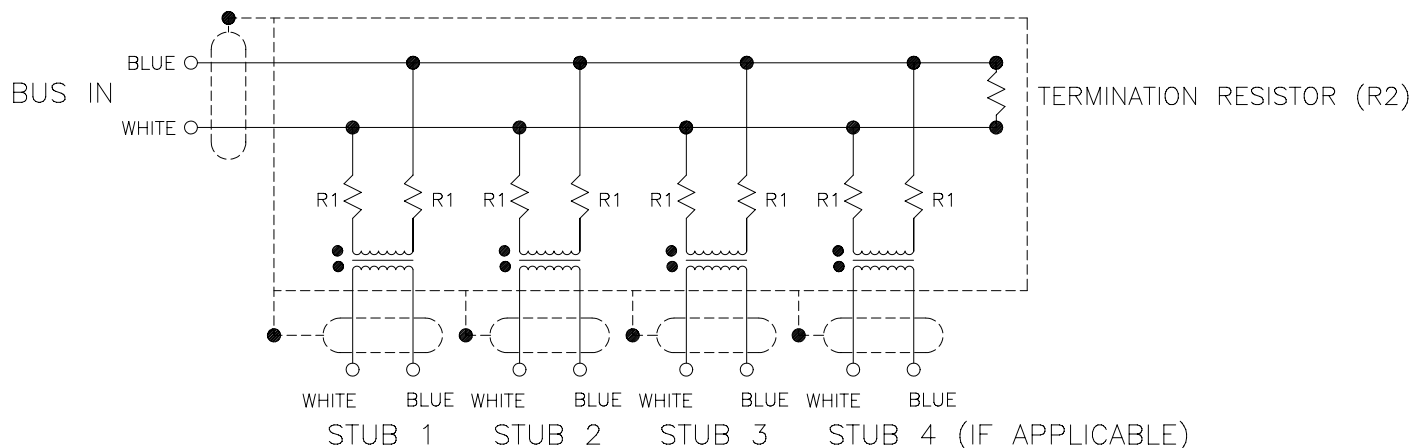
4.1 TRANSFORMER MEETS THE PERFORMANCE REQUIREMENTS OF MIL-STD-1553B.

4.2 COUPLER MEETS THE PERFORMANCE REQUIREMENTS OF RAYCHEM SPECIFICATION D-6020.

5. WEIGHT:

5.1 MAXIMUM WEIGHT WITHOUT CABLE: 50 GRAMS MAX.

THREE/FOUR STUB COUPLER SCHEMATIC



SPECIFICATION CONTROL DRAWING

DRAWN T_RATZLAFF	DATE 12DEC2001	SIZE A	CODE IDENT. NO. 06090	DWG. NO. D-500-0457-3/4-XXX-ZZZ	REV A
CAD FILE T31570B		DO NOT SCALE THIS DRAWING			SHEET 2 OF 2

