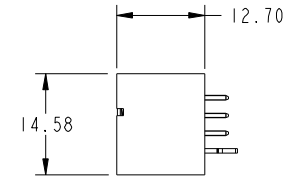
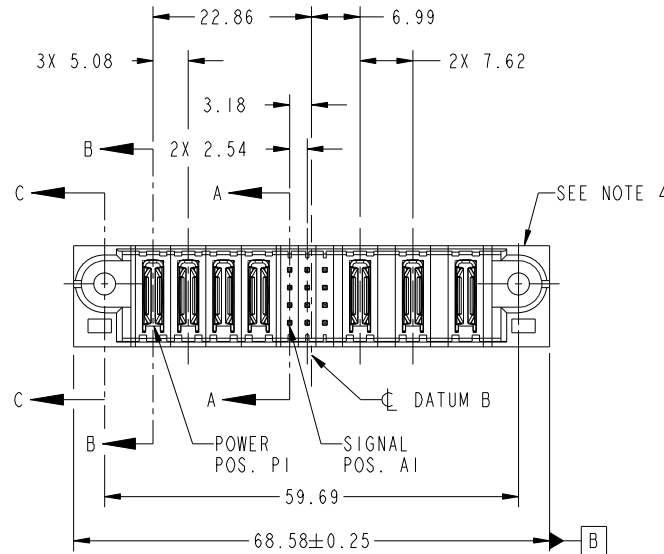


Tous droits strictement réservés. Reproduction ou communication a des tiers interdite sous quelque forme que ce soit sans autorisation écrite du propriétaire. Propriété de c FCI. Droits de reproduction FCI.



All rights strictly reserved. Reproduction or issue to third parties in any form whatever is not permitted without written authority from the proprietor. Property of FCI. Copyright FCI.

PRODUCT NO.	ROWS	POWER				SIGNAL			POWER			E2	
		E1	P1	P2	P3	P4	1	2	3	P5	P6		P7
51952-159-- NOTE ③	D C B A												



CODE	DIM "M" MATING LENGTH	CONTACT TYPE
PA	[N/A]	POWER
E	[6.86]	SIGNAL
HA	[N/A]	HOLD-DOWN

mat'l code				tolerances unless otherwise specified				CUSTOMER			
ltr	ecn no.	dr	date	linear	0.X ±0.5			COPY		www.fciconnect.com	
A	DG09-0362	WL	11/22/09		0.XX ±0.25			projection		title	
					0.XXX ±0.1					4P + 12S + 3ACP VERTICAL SOLDER HEADER	
				angles	0° ±2°					product family PwrBlade code	
				dr	WL ZHANG 10/30/09			scale		size	
				engr	JEROME CHEN 10/30/09			1:1		dwg no	
				chr	PM ZHENG 10/30/09			A		51952-159	
				appd	JOSEPH HSIA 10/30/09					sheet	
sheet index		revision sheet	A	A	A	A				1 of 4	
		1	2	3	4					cage code	
										22526	

Pro/E

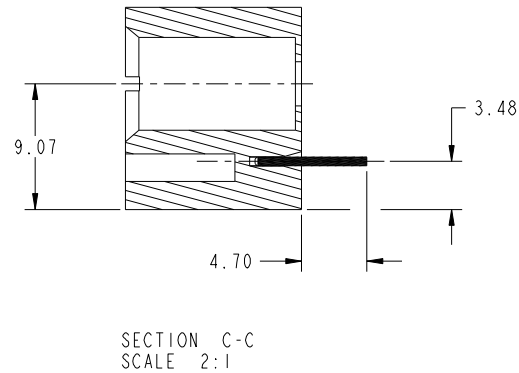
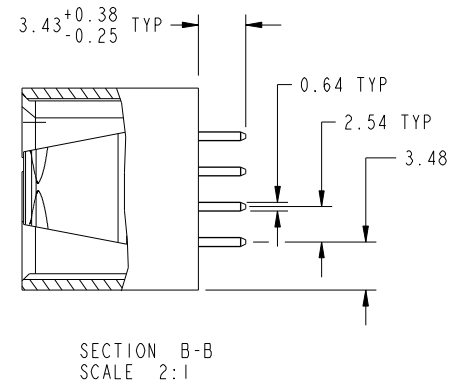
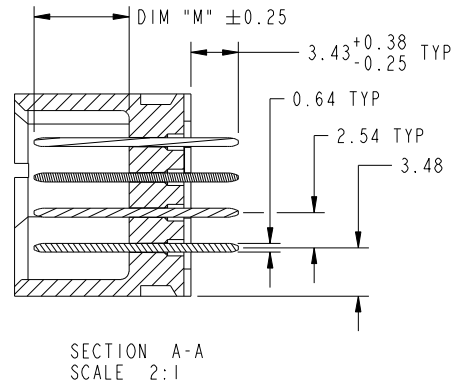
cage code 22526

Tous droits strictement reserves. Reproduction ou communication a des tiers interdite sous quelque forme que ce soit sans autorisation écrite du propriétaire. Propriete de c FCI. Droits de reproduction FCI.



All rights strictly reserved. Reproduction or issue to third parties in any form whatever is not permitted without written authority from the proprietor. Property of FCI. Copyright FCI.

PRODUCT NUMBER
51952-159__
NOTE 3



mat'l code				tolerances unless otherwise specified		CUSTOMER		 www.fciconnect.com	
ltr	ecn no.	dr	date	linear	0.X ±0.5	COPY		title	
A					0.XX ±0.25	projection		4P + 12S + 3ACP VERTICAL SOLDER HEADER	
				angles	0.XXX ±0.1	 MIM		product family PwrBlade code	
		dr	10/30/09		0° ±2°	scale		size	
		enr	JEROME CHEN 10/30/09			1:1		dwg no 213	
		chr	PM ZHENG 10/30/09					sheet	
		appd	JOSEPH HSIA 10/30/09					2 of 4	
sheet index		revision sheet							

Pro/E

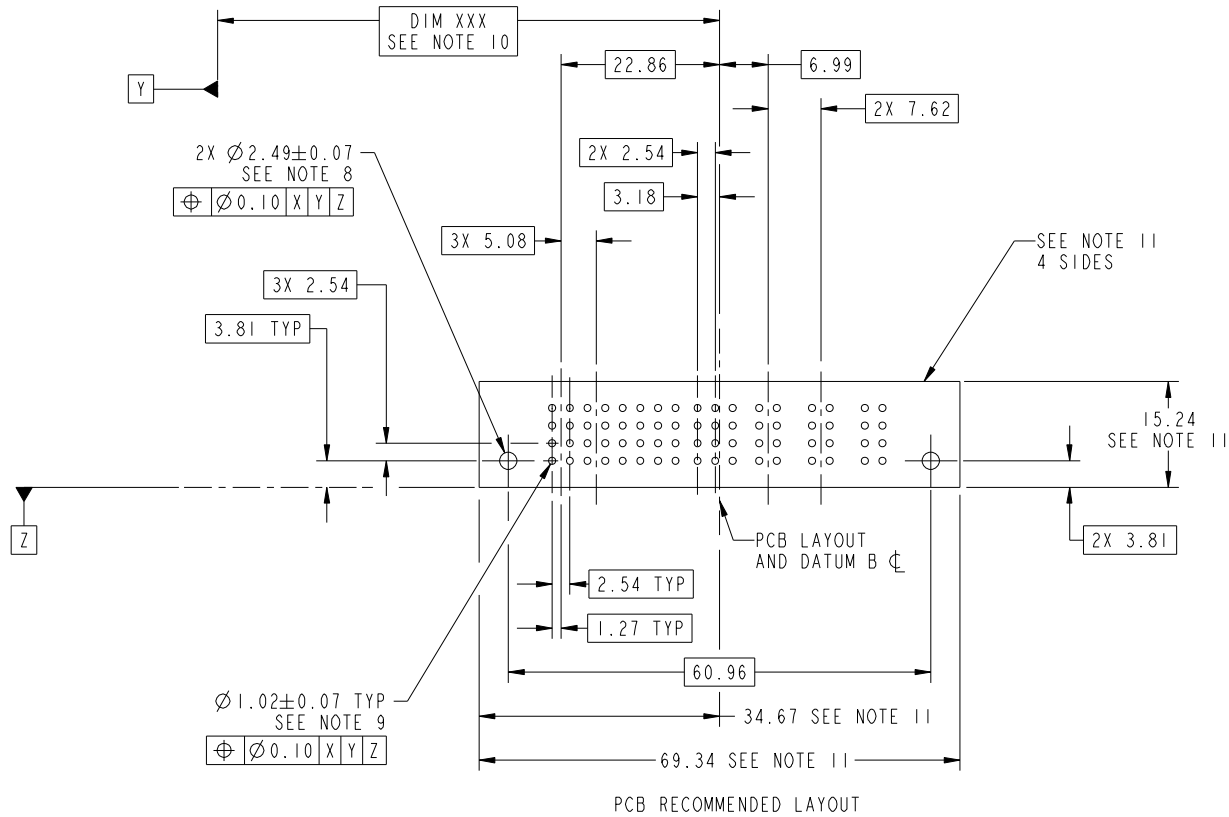
cage code 22526

Tous droits strictement reserves. Reproduction ou communication a des tiers interdite sous quelque forme que ce soit sans autorisation écrite du propriétaire. Propriete de c FCI. Droits de reproduction FCI.



All rights strictly reserved. Reproduction or issue to third parties in any form whatever is not permitted without written authority from the proprietor. Property of FCI. Copyright FCI.

PRODUCT NUMBER
51952-159__
NOTE 3



mat'l code				tolerances unless otherwise specified		CUSTOMER		FCI	
ltr	ecn no.	dr	date	linear	0.X ± 0.5	COPY		www.fciconnect.com	
A					0.XX ± 0.25	projection		title	
				angles	0.XXX ± 0.1			4P + 12S + 3ACP VERTICAL SOLDER HEADER	
				dr	0° ± 2°			product family PwrBlade code	
				enr	WL ZHANG 10/30/09	scale		size	
				chr	JEROME CHEN 10/30/09	1:1		dwg no	
				appd	PM ZHENG 10/30/09			51952-159	
					JOSEPH HSIA 10/30/09			sheet	
sheet index		revision sheet						3 of 4	

cage code 22526

Pro/E

Tous droits strictement reserves. Reproduction ou communication a des tiers interdite sous quelque forme que ce soit sans autorisation écrite du propriétaire. Propriete de c FCI. Droits de reproduction FCI.



All rights strictly reserved. Reproduction or issue to third parties in any form whatever is not permitted without written authority from the proprietor. Property of FCI. Copyright FCI.

PRODUCT NUMBER
51952-159--
NOTE 3

NOTES:

1. DIMENSIONS AND TOLERANCES ARE IN ACCORDANCE WITH ASME Y14.5M, 1994 UNLESS OTHERWISE SPECIFIED.

CONNECTOR NOTES:

- 2 HOUSING MATERIAL: UL 94 V-0 GLASS FILLED HIGH-TEMP THERMOPLASTIC
POWER CONTACT MATERIAL: COPPER ALLOY
SIGNAL PIN MATERIAL: COPPER ALLOY
- 3. PLATING:
SEE ITEM 1 & 2 IN PRINT 10064183 FOR PLATING SPEC OF 51952-159; 51952-159LF PRESPECTIVELY
- 4 MANUFACTURER'S NAME, DATE CODE AND OPTIONAL P/N TO APPEAR ON THIS SURFACE. THE P/N CAN BE OMITTED IF THERE IS NOT ENOUGH SPACE ON THIS SURFACE.
- 5. PRODUCT SPECIFICATION GS-12-149.
APPLICATION SPECIFICATION BUS-20-067.
- 6. PACKAGED IN TRAYS.

PCB NOTES:

- 7. ALL HOLE DIAMETERS ARE FINISHED HOLE SIZE.
- 8. MOUNTING HOLES, WHERE APPLICABLE, ARE UNPLATED.
- 9 $\varnothing 1.151 \pm 0.025$ DRILLED HOLES PLATED WITH
0.008 MIN SnPb OR Sn OVER .001 [0.03]
TO 0.08 Cu PLATING TO ACHIEVE
 $\varnothing 1.02 \pm 0.07$ HOLE.
- 10 "DIM XXX" TO BE DETERMINED BY THE CUSTOMER.
- 11 CONNECTOR KEEP-OUT ZONE.

mat'l code				tolerances unless otherwise specified		CUSTOMER		FCI		www.fciconnect.com		
ltr	ecr no.	dr	date	linear	COPY		projection	title				
A					0.X ± 0.5				4P + 12S + 3ACP			
					0.XX ± 0.25				VERTICAL SOLDER HEADER			
				angles	0° ± 2°			product family		PwrBlade	code	
				dr	WL ZHANG	10/30/09		size	dwg no		213	
				enrg	JEROME CHEN	10/30/09		A	51952-159		sheet	
				chr	PM ZHENG	10/30/09			4 of 4			
				appd	JOSEPH HSIA	10/30/09			scale		1:1	
sheet index	revision sheet											

cage code 22526

Pro/E