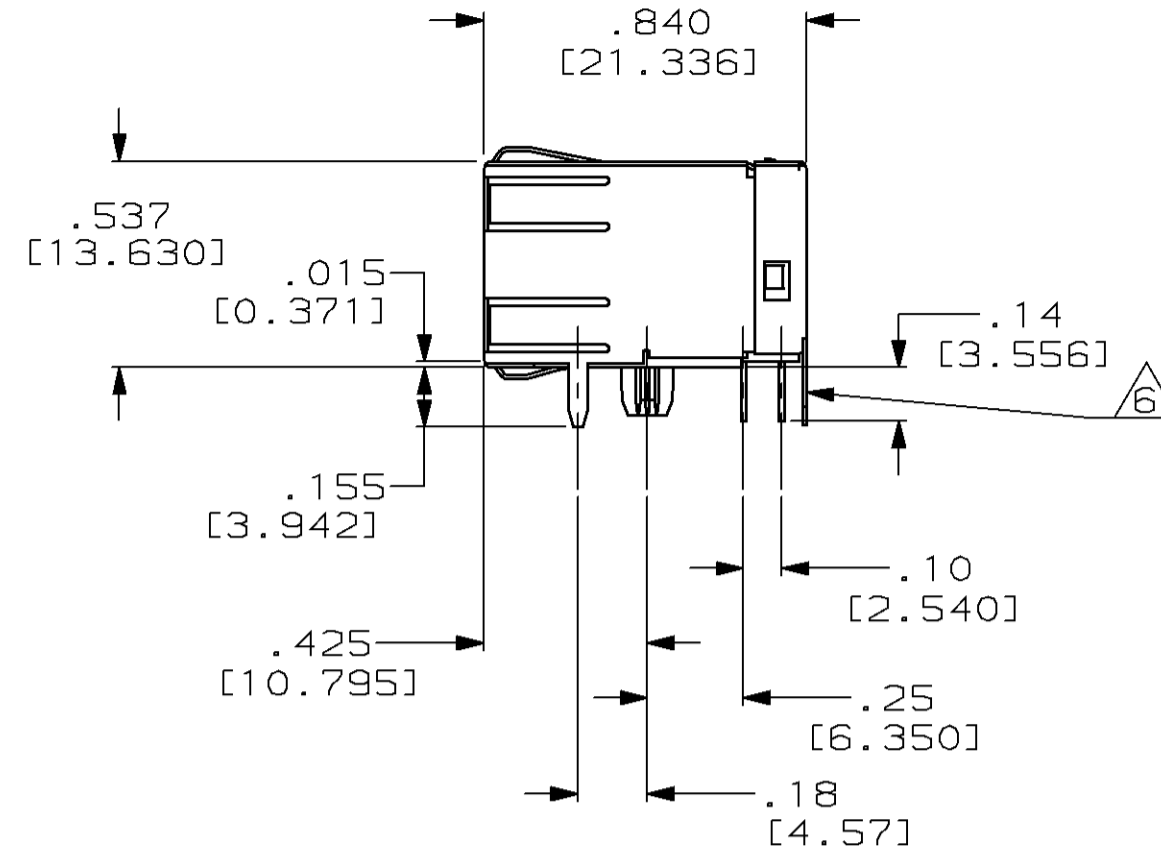
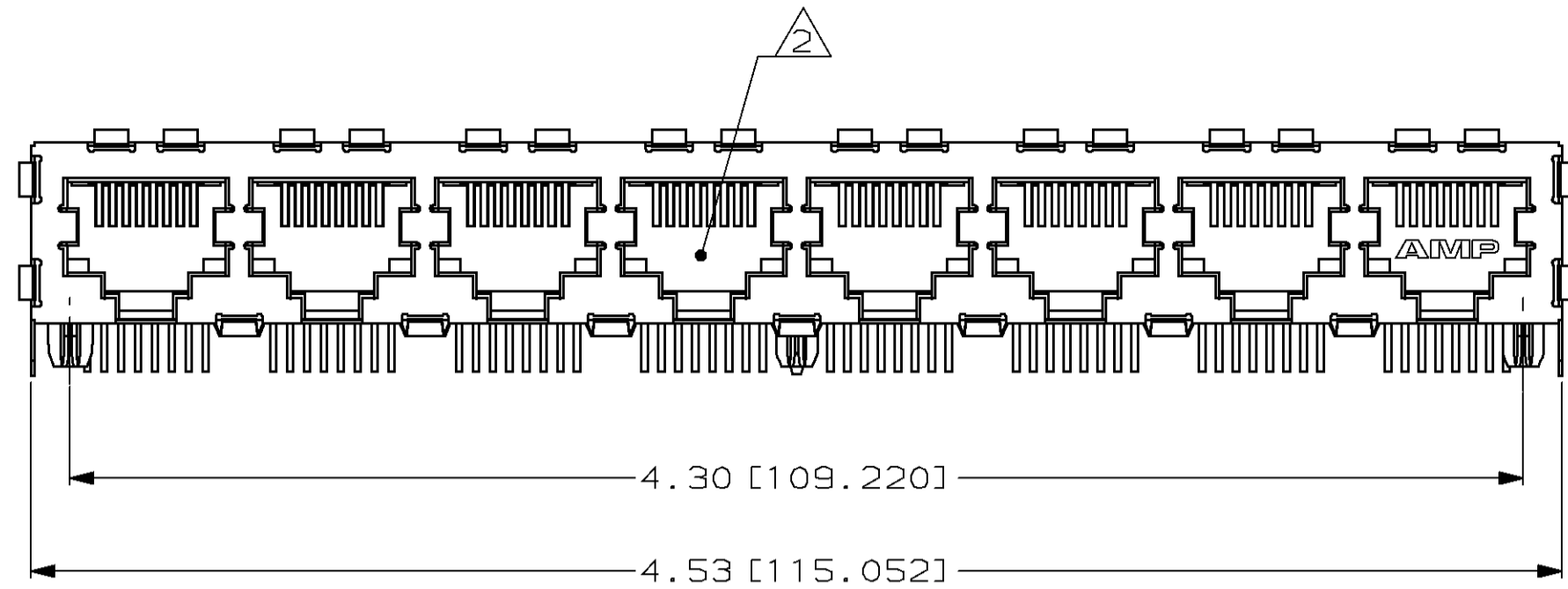
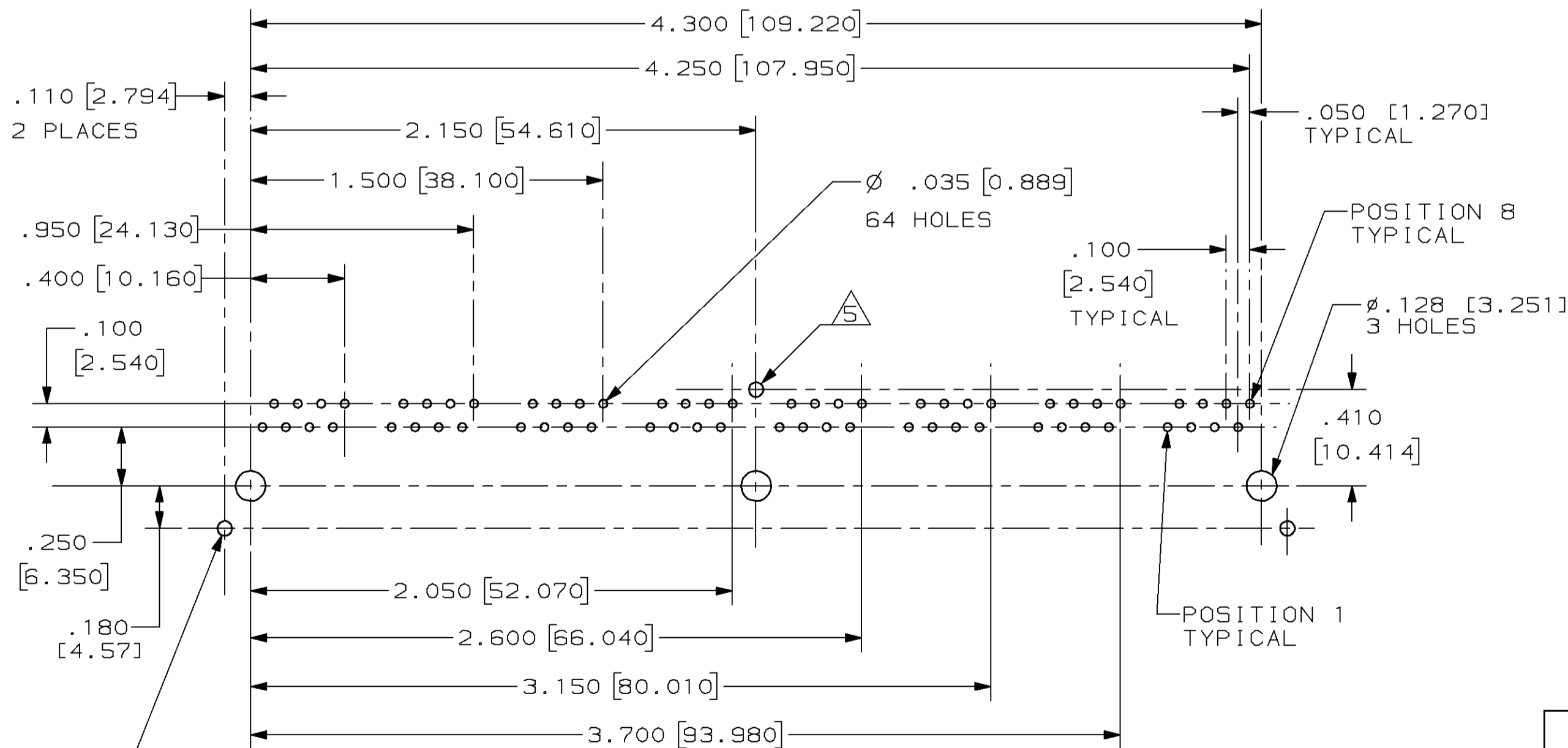


THIS DRAWING IS UNPUBLISHED. RELEASED FOR PUBLICATION
 © COPYRIGHT 19 BY AMP INCORPORATED. ALL RIGHTS RESERVED.

LOC	DIST	REVISIONS				
		P	LTR	DATE	DWN	APVD
AA	22	A	REV; EC 0502-0734-97	24NOV97	DS	DW



- 1 MATERIAL:
HOUSING - NYLON, BLACK, UL94V-0.
OVERMOLDED TERMINAL ARRAY - PBT, BROWN.
TERMINALS-.013 [0.33] THICK PHOS BRONZE
PLATED WITH .000050 [1.27μm] THICK HARD
GOLD IN LOCALIZED AREA AND .000150 [3.81μm]
THICK TIN-LEAD IN SOLDER AREA OVER .000050
[1.27μm] THICK NICKEL UNDERPLATE.
SHIELD-.010 [0.254] THICK COPPER ALLOY
PLATED WITH .000080 [2.03μm] MINIMUM
TIN-LEAD OVER .000100 [2.54μm] MINIMUM
COPPER.
- 2 JACK CAVITY COMFORMS TO FCC RULES AND
REGULATIONS, PART 68 SUBPART F.
- 3. ALL DIMENSIONS SHOWN ARE NOMINAL UNLESS
OTHERWISE SPECIFIED.
- 4. ALL DIMENSIONS SHOWN IN BRACKETS [] ARE
IN MILLIMETERS.
- 5 THIS HOLE IS NEEDED FOR -1 ONLY.
- 6 THIS TAB REMOVED ON -2.



SUGGESTED PC BOARD LAYOUT
 COMPONENT SIDE
 SEE APPLICATION SPECIFICATION

WITHOUT REAR PC BOARD GROUND TAB	406491-2
WITH REAR PC BOARD GROUND TAB	406491-1
DESCRIPTION	PART NO.

THIS DRAWING IS A CONTROLLED DOCUMENT FOR AMP INCORPORATED. IT IS SUBJECT TO CHANGE AND THE CONTROLLING ENGINEERING ORGANIZATION SHOULD BE CONTACTED FOR THE LATEST REVISION.		DWN V. SLACK 13MAR92	AMP Incorporated Harrisburg, PA 17105-3608
DIMENSIONS: INCHES [mm]		CHK B. FOX 10JUN92	
TOLERANCES UNLESS OTHERWISE SPECIFIED:		APVD G. REED 15JUN92	NAME MODULAR JACK ASSEMBLY, PANEL GROUND, 8 PORT, 8 POSITION, RIGHT ANGLE, SHIELDED, CATEGORY 5
0 PLC ±-		PRODUCT SPEC 108-1392	
1 PLC ±-		APPLICATION SPEC 114-2048	SIZE A2
2 PLC ±.01 [0.254]		WEIGHT -	CAGE CODE 00779
3 PLC ±.005 [0.127]		CUSTOMER DRAWING	DRAWING NO C-406491
4 PLC ±-			SCALE 2:1
ANGLES ±-			SHEET 1 OF 1
FINISH			REV A