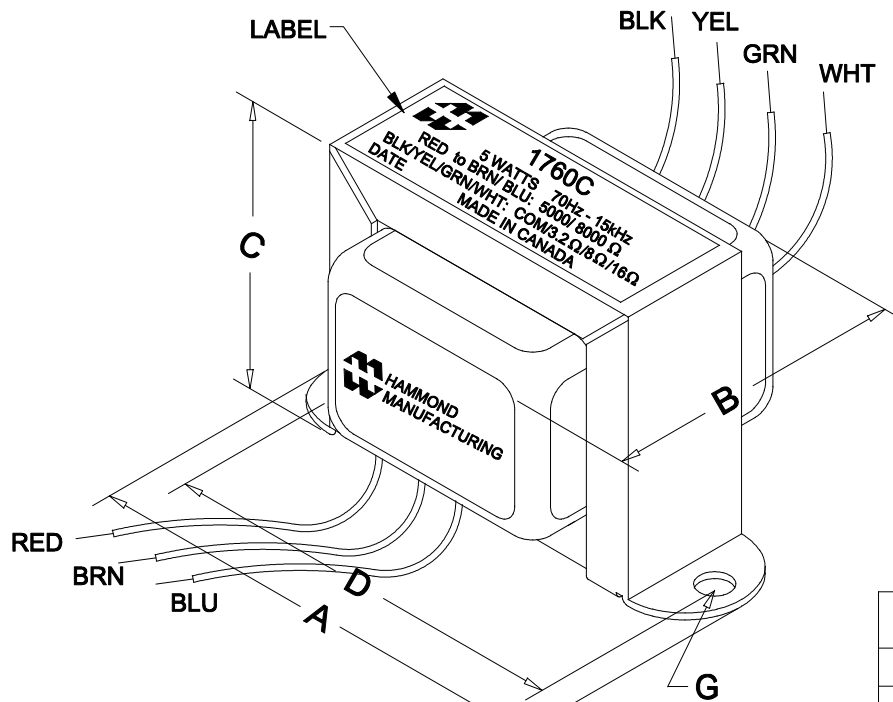
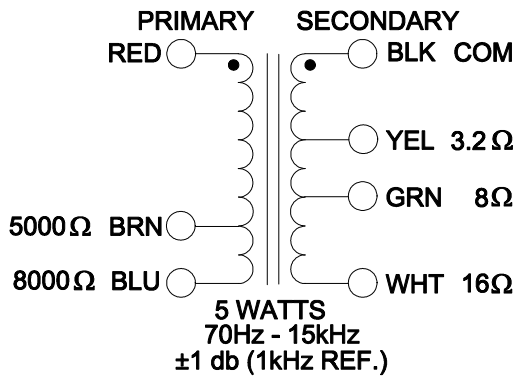


1760C



NOTE: ALL LEADS 9" LONG MIN.

DIMENSIONS:	
A	2.813" ±0.063
B	1.560" ±0.125
C	1.683" ±0.063
D	2.375" ±0.063
G	0.187" ±0.015



ELECTRICAL DATA:

Turns ratio:	21.85 : 1 (8K : 16 ohm)
Inductance	@200 V, 70Hz =>88.62H
DCR	@ 20C, BLU-RED=284.2Ohm ±20% @ 20C, BLK-WHT=0.292Ohm ±20%
FREQ. RESP	@5W(200 V), 70Hz-15kHz, BLU-RED ±1db (Ref. 1kHz)
Pri. Impedance	5000 / 8000 Ohm (158 / 200V)
Sec. Impedance	3.2/8/16Ohm (4/6.325/8.944V)
Power	5 WATTS

**HAMMOND
ELECTRONICS**
52 RANKIN PLACE,
WATERLOO, ONTARIO, N2L 3Z5.
PHONE (519) 886-6181
FAX # (519) 886-9540

TITLE		1760C		1760C
			DR BY B.Pervaiz	
1	02/08/16	Was 7 K ohm primary	DATE 08/25/09	
NO	DATE	REVISION	DIM IN(X)MM()	