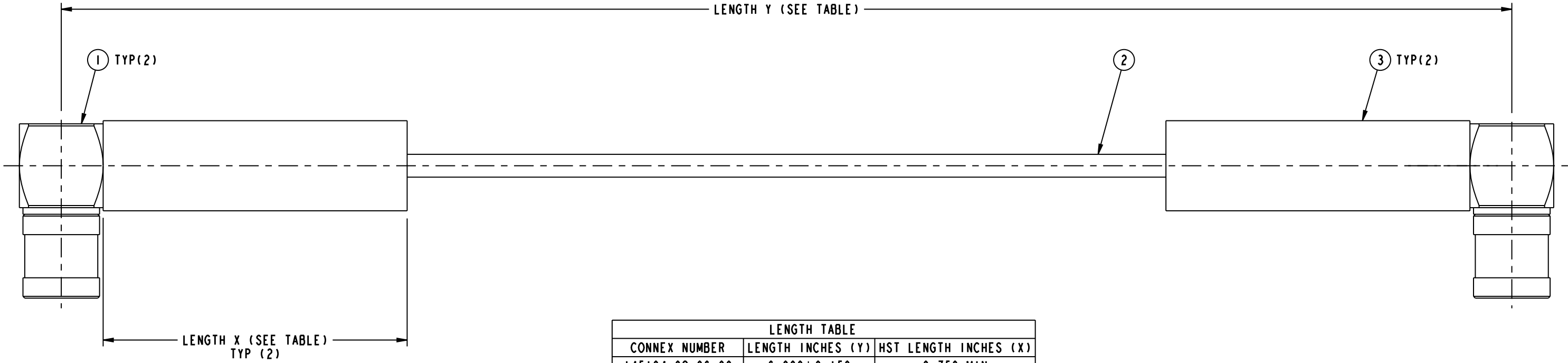
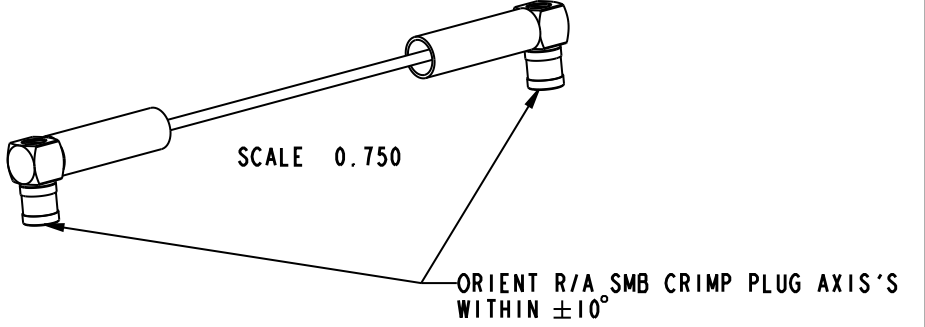


- NOTES:
1. PACKAGE CABLE ASSEMBLY IN BAG. TAG IN BAG WITH "AMPHENOL CONNEX, 145104-08-XX.XX AND DATE CODE".
 2. CABLE ASSEMBLY TO BE 100% TESTED FOR CONTINUITY, SHORTS AND OPEN.

145104-08-XX.XX		REVISIONS			
DRAWING NO.	REV	DESCRIPTION	DATE	ECO	APPR
THIRD ANGLE PROJ.	A	RELEASE TO MFG.	23-Jul-10	--	KR
	B	CABLE P/N WAS 009-881-303	08-Aug-10	2081	KR



CONNEX NUMBER	LENGTH INCHES (Y)	HST LENGTH INCHES (X)
145104-08-06.00	6.000±0.150	0.750 MIN
145104-08-12.00	12.000±0.150	0.750 MIN
145104-08-24.00	24.000±0.250	1.500 MIN
145104-08-36.00	36.000±0.500	1.500 MIN

DESIGN REQUIREMENTS:

FREQUENCY TO GHz CONTINUITY

VSWR : 1 MAX HI-POT : 750 VRMS

INS. LOSS dB MAX OTHER

* ADDITIONAL LENGTH CAN BE PROVIDED BY CHANGING XX.XX TO DESIRED LENGTH IN INCHES CONTACT CONNEX MARKETING FOR QUOTE

009-954-365	A/R	3	HEAT SHRINK TUBE	
009-881-240	A/R	2	RG-178 CABLE	
142195	2	1	SMB R/A CRIMP PLUG	
PART NUMBER	QTY	ITEM	DESCRIPTION	FINISH

UNLESS OTHERWISE SPECIFIED, DIMENSIONS ARE IN INCHES AND TOLERANCES ARE: 2 PLACE DECIMAL ±.015 (0,381 mm) 3 PLACE DECIMAL ±.005 (0,127 mm) ANGLES ± 1°	MATERIAL	DRAWN KARTHIK R	DATE 23-Jul-10	TITLE SMB R/A CRIMP PLUG TO SMB R/A CRIMP PLUG, USING RG-178 CABLE, XX.XX" LENGTH	Amphenol Connex
	REFERENCE	ENGINEER KARTHIK R	DATE 23-Jul-10		
NOTICE - These drawings, specifications, or other data (1) are, and remain the property of Amphenol Corp. (2) must be returned upon request; and (3) are confidential and not to be disclosed to any person other than those to whom they are given by Amphenol Corp. The furnishing of these drawings, specifications, or other data by Amphenol Corp., or to any other person to anyone for any purpose is not to be regarded by implication or otherwise in any manner licensing, granting rights or permitting such holder or any other person to manufacture, use or sell any product, process or design, patented or otherwise, that may in any way be related to or disclosed by said drawings, specifications, or other data.		APPROVED	DATE	SCALE: 3.0:1	SHEET 1 OF 1
		CAD FILE Root folder:/Cable assembly/145104-08-XX.XX	DWG SIZE B	DRAWING NO. 145104-08-XX.XX	REV B