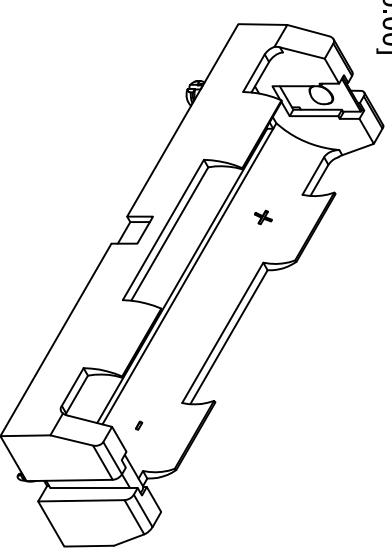
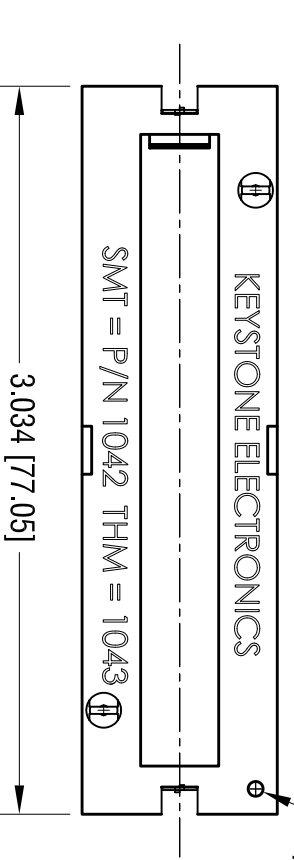
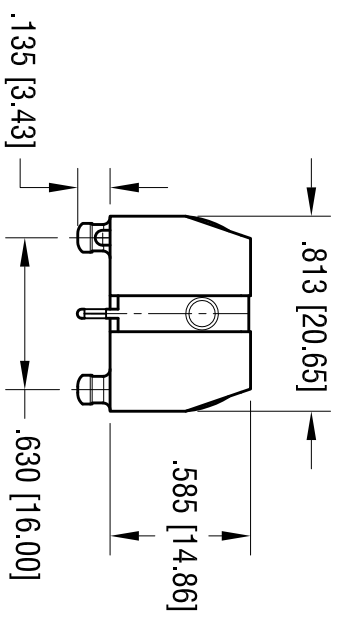
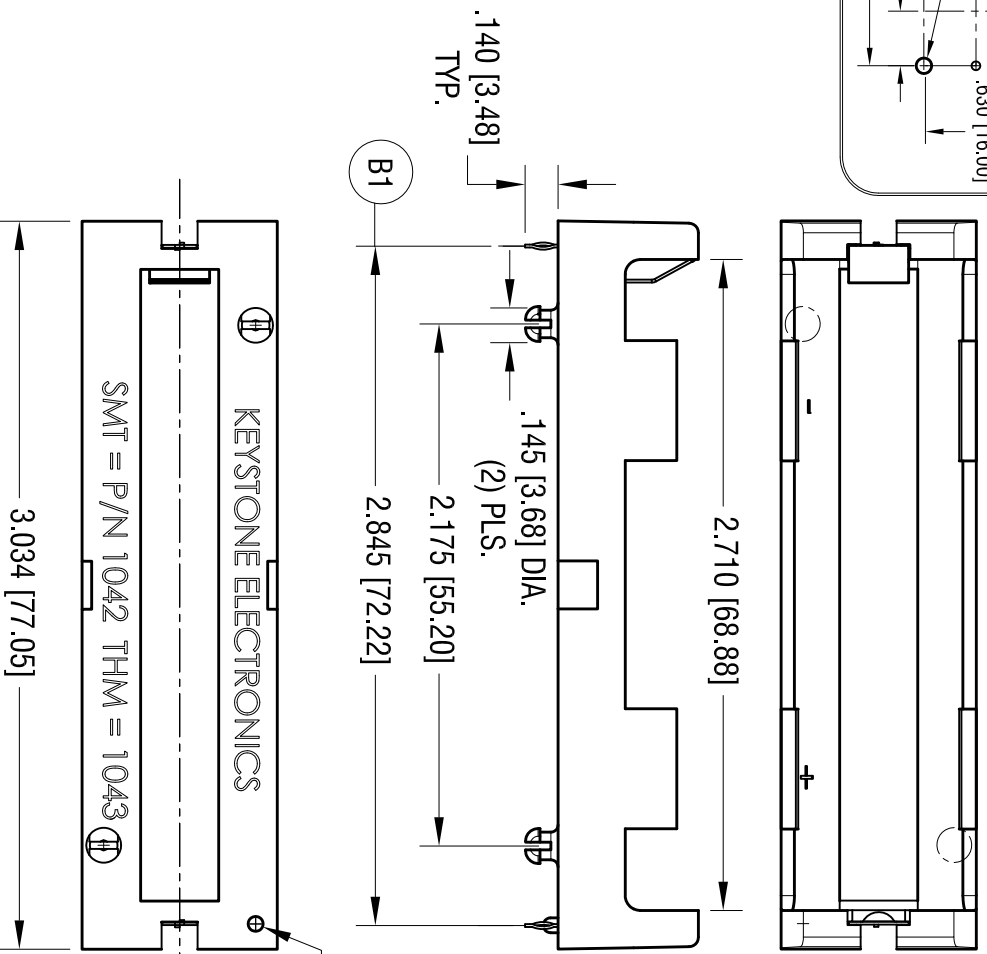
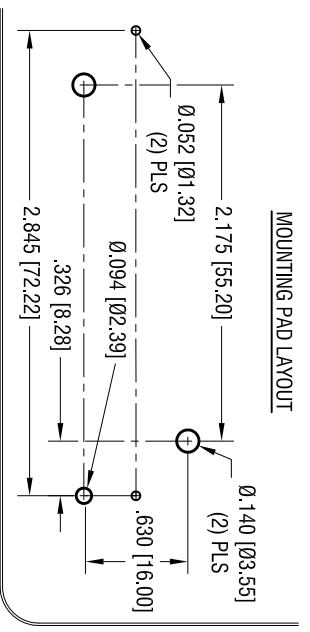


| DATE     | DESCRIPTION                                       | REV. |
|----------|---|------|
| 10.08.13 | CHANGE AS PER ECN 13-091                          | A    |
| 1.04.17  | CHANGE AS PER ECN17-005<br>(B1) WAS 2.822 [71.64] | B    |



- NOTE:
1. BASE:  
MATERIAL: HEAT RESISTANCE NYLON  
STANYL 46 OR EQUIVALENT
  2. CONTACT:  
MATERIAL: .012 [0.30] THK STAINLESS STEEL  
FINISH: TIN NICKEL PLATE

|   |        |                      |              |
|---|--------|----------------------|--------------|
| <b>KEYSTONE ELECTRONICS CORP.</b>                               |        |                      |              |
| www.keystec.com • ASTORIA, N.Y. 11105-2017 • Tel (718) 956-8900 |        |                      |              |
| PART NAME   |        | THM POLARIZED HOLDER |              |
| MATERIAL  |        | AS NOTED             |              |
| FINISH  |        | AS NOTED             |              |
| TOLERANCES  | INCH   | [MM]                 | CODE         |
| DECIMAL   | ± .010 | [± 0.25]             | C            |
| ANGULAR   | ± 1°   |                      |              |
| UNLESS OTHERWISE SPECIFIED                                      |        |                      |              |
| DRN BY  | NT     | DATE                 | 7.12.13      |
| APP'D   | LN     | SCALE                | 1.25X        |
|   |        | DWG NO.              | <b>1043P</b> |

THIS DOCUMENT IS THE PROPERTY OF KEYSTONE ELECTRONICS CORP. AND SHALL NOT BE REPRODUCED, DISTRIBUTED OR USED AS A BASIS FOR MANUFACTURE WITHOUT PRIOR WRITTEN PERMISSION FROM KEYSTONE ELECTRONICS CORP.