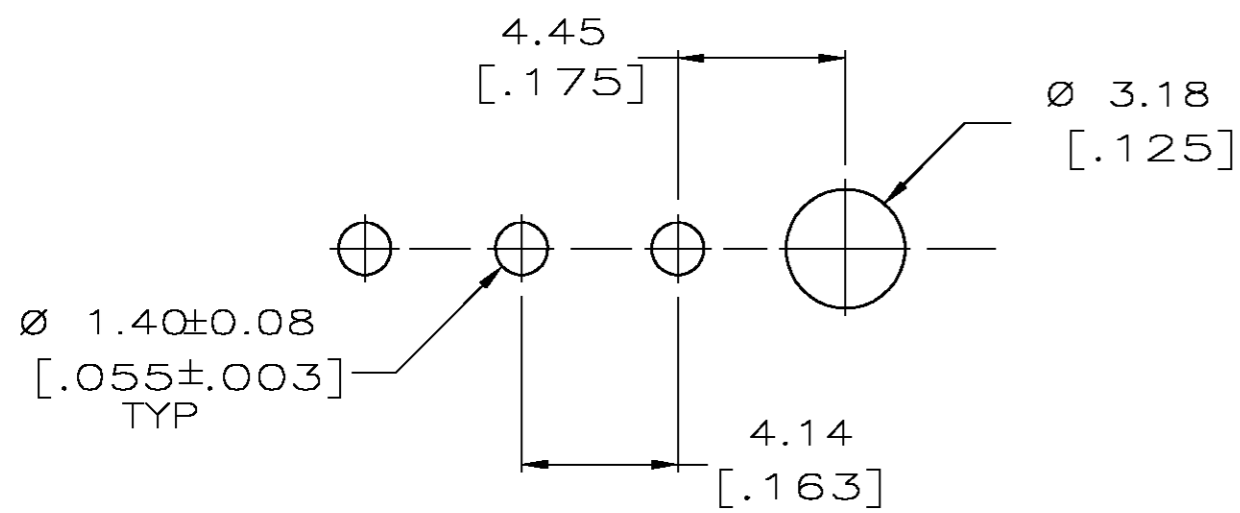
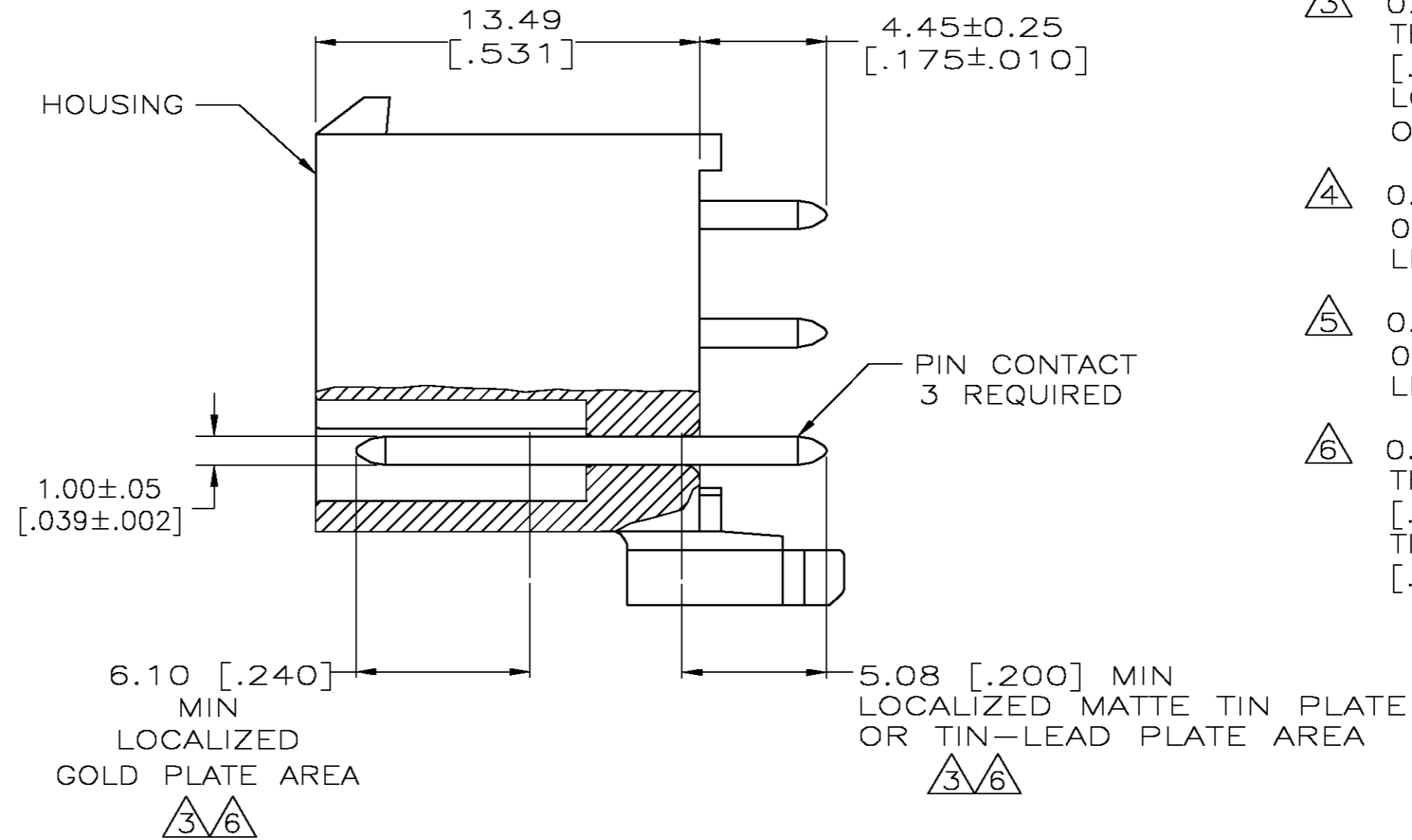
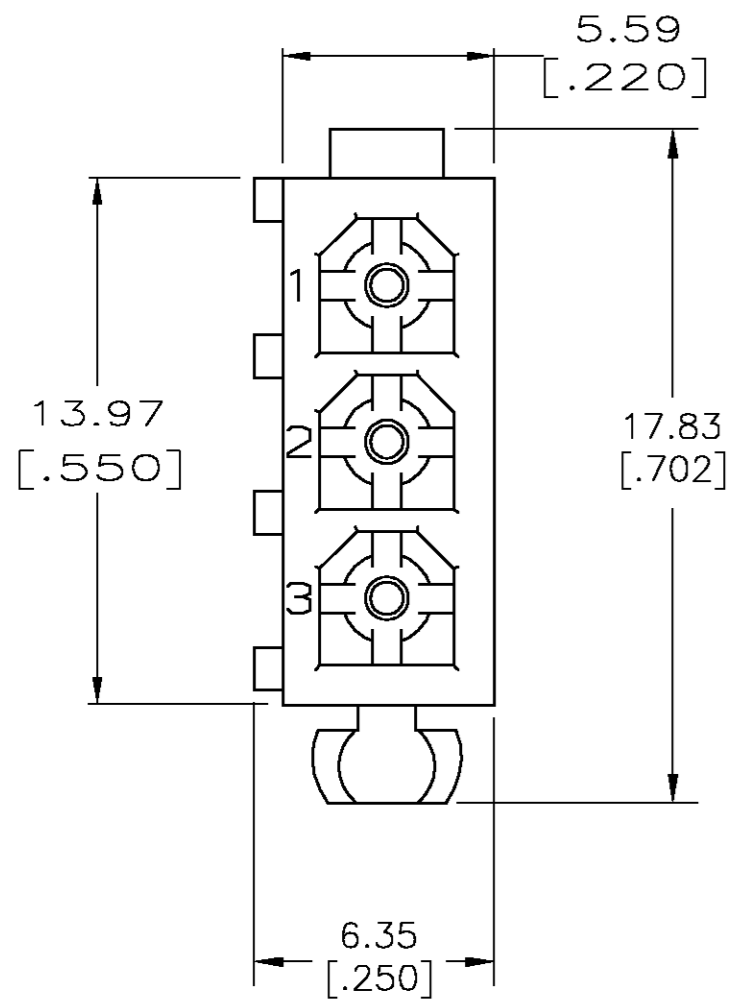


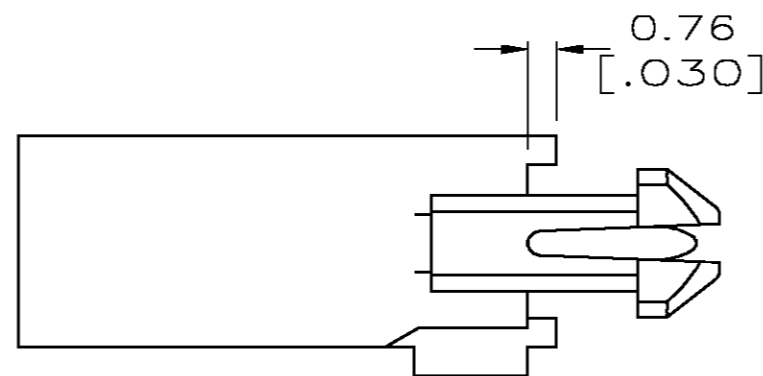
THIS DRAWING IS UNPUBLISHED. RELEASED FOR PUBLICATION
 © COPYRIGHT BY TYCO ELECTRONICS CORPORATION. ALL RIGHTS RESERVED.

LOC	DIST	REVISIONS					
		P	LTR	DATE	DWN	APVD	
CM	0	F		REVISED PER 0G3B-0211-05	6/8/05	SS	RJ

- PINS TO COMPLY WITH AMP SOLDERABILITY SPEC. 109-11-3.
- DIMENSIONS SHOWN IN BRACKETS ARE IN INCHES.
- 0.00076 [.000030] MIN GOLD PLATE IN THE LOCALIZED GOLD PLATE AREA, 0.00381 [.000150] MATTE TIN LEAD IN THE LOCALIZED TIN LEAD PLATE AREA, BOTH OVER 0.00127 [.000050] MIN NICKEL.
- 0.00381 [.000150] MATTE TIN LEAD OVER 0.00127 [.000050] MIN NICKEL ENTIRE LENGTH OF PIN.
- 0.00381 [.000150] MATTE TIN OVER 0.00127 [.000050] MIN NICKEL ENTIRE LENGTH OF PIN.
- 0.00076 [.000030] MIN GOLD PLATE IN THE LOCALIZED GOLD PLATE AREA, 0.00381 [.000150] MATTE TIN IN THE LOCALIZED TIN PLATE AREA, BOTH OVER 0.00127 [.000050] MIN NICKEL.



RECOMMENDED LAYOUT FOR 1.57 [.062] THICK BOARD
 TOLERANCES NON-ACCUMULATIVE



BRASS	6	NYLON, UL94V-0	WHITE	1-770873-1
BRASS	5	NYLON, UL94V-0	WHITE	1-770873-0
BRASS	3	NYLON, UL94V-0	WHITE	770873-2
BRASS	4	NYLON, UL94V-0	WHITE	770873-1
MATERIAL	FINISH	MATERIAL	COLOR	PART NO.
PIN		HOUSING		

THIS DRAWING IS A CONTROLLED DOCUMENT.		DWN S CARPENTER	OBJUN05	Tyco Electronics Corporation	
DIMENSIONS: INCHES		CHK R JONES	29JUL2003	Harrisburg, Pa 17105-3608	
TOLERANCES UNLESS OTHERWISE SPECIFIED:		APVD R JONES	29JUL2003	NAME	
0 PLC	± -	PRODUCT SPEC		HEADER ASSEMBLY	
1 PLC	± -	APPLICATION SPEC		CLOSED BOTTOM, 3 CKT,	
2 PLC	± 0.13	WEIGHT		MINI UNIVERSAL MATE-N-LOK	
3 PLC	± -	CUSTOMER DRAWING		RESTRICTED TO	
4 PLC	± -	SCALE 5:1		SHEET 1 OF 1	
ANGLES	± -	SHEET 1 OF 1		REV F	
FINISH	-	SCALE 5:1		REV F	