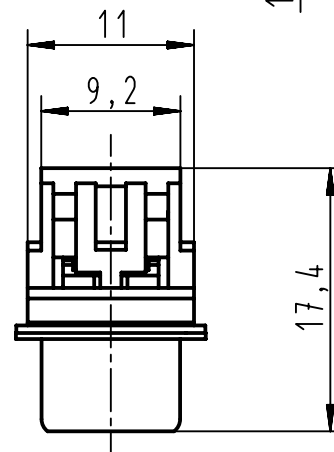
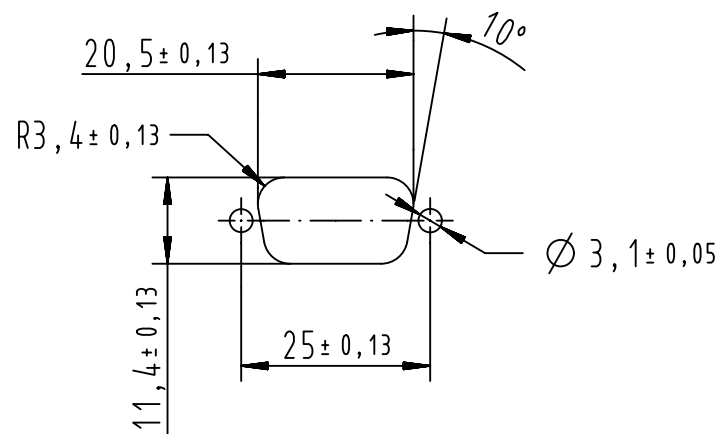
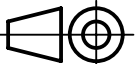



Recommended panel cutout dimensions
for rear mounting
According to CECC 75 301-802



After cover closing

 All Dimensions in mm Original Size DIN A4		Scale 2:1	Free size tol.		Ref.
 All rights reserved Department EC PD - FR		Created by DOUGE	Inspected by BAGDIKIAN	Standardisation HOFFMANN	Sub.
09661287700	PL3	Title D-Sub IDC 9P male straight			Date 2013-04-23
09661286700	PL2	Type TB			State Final Release
Part number	Performance level	Number 0966128X700		Doc-Key / ECM-Nr. 100527178/UGD/001/A 5300000858839	Rev. A
HARTING Electronics GmbH D-32339 Espelkamp					Page 1/1