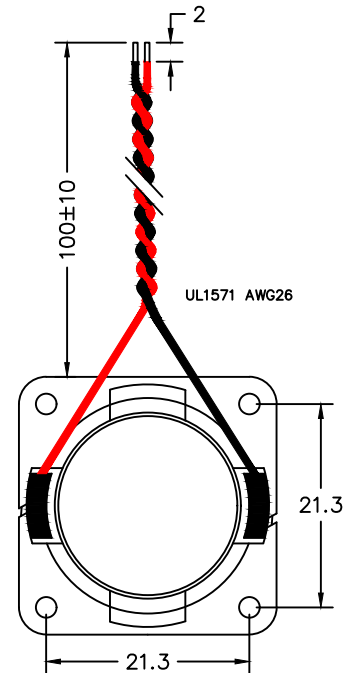
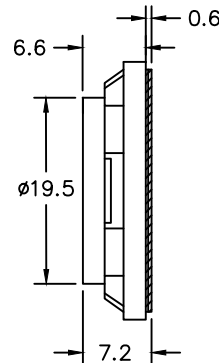
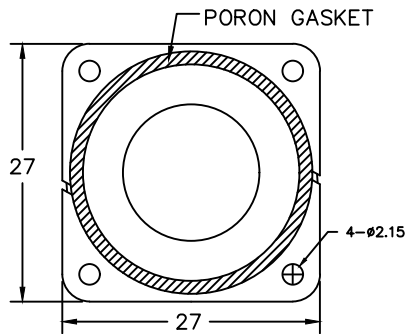


THIS DOCUMENT CONTAINS DATA PROPRIETARY TO PROJECTS UNLIMITED, INC. ANY USE OR REPRODUCTION, IN ANY FORM, WITHOUT PRIOR WRITTEN PERMISSION OF PROJECTS UNLIMITED, INC. IS PROHIBITED.
© 2005, Projects Unlimited Inc.

SPECIFICATIONS


PARAMETERS	VALUES	UNITS
RATED INPUT POWER	2.0	W
MAX INPUT POWER	2.5	W
IMPEDANCE	4±15%	OHM
OUTPUT SPL @ 1W/0.5M (0.8, 1, 1.2, 1.5 kHz AVG.)	79±3	dB
DISTORTION (MAX.)	10%	—
RESONANT FREQUENCY	350±20%	Hz
FREQUENCY RANGE	F _o ~ 20,000	Hz
HOUSING MATERIAL	PBT	—
CONE MATERIAL	PEI	—
MAGNET MATERIAL	NdFeB	—
OPERATING TEMPERATURE	-20 ~ +60	°C
WEIGHT	TBD	grams

REVISIONS			
LTR	DESCRIPTION	DATE	APPROVED
-	RELEASED FROM ENGINEERING	3/21/18	



NOTES:

- ALL DIMENSIONS ARE IN MILLIMETERS.
- SPECIFICATION SUBJECT TO CHANGE OR WITHDRAWAL WITHOUT NOTICE.
- THIS PART IS RATED IP66 FROM FACE OF SPEAKER WHEN PROPERLY MOUNTED.
- THIS PART IS RoHS 2011/65/EU COMPLIANT.

<small>UNLESS OTHERWISE SPECIFIED: ALL PURCHASES ARE SUBJECT TO THE PUI AUDIO TERMS AND CONDITIONS SALE FOUND AT http://www.puiaudio.com/pdf/terms_conditions.pdf (paper copy available upon request). DIMENSIONS ARE IN MILLIMETERS.TOLERANCES ARE ±0.5 AND ANGLES ARE ±3°.</small>		 <p>pui audio inc a projects unlimited company</p>	<p>3541 Stop Eight Road Dayton, Ohio 45414</p>	
APPROVALS	DATE			<h1>SPEAKER</h1>
DRAWN	M.L.	3/18	SIZE	A
CHECKED	M.L.	3/18	DRAWING NO. AS02704MS-N50-LW100-R	
APPROVED	B.R.	3/18	SCALE: N.T.S.	SHEET 1 OF 1

BASE SPEAKER:
AS02504PR-N50-R

FILE NAME
AS02704MS-N50-LW100-R.DWG