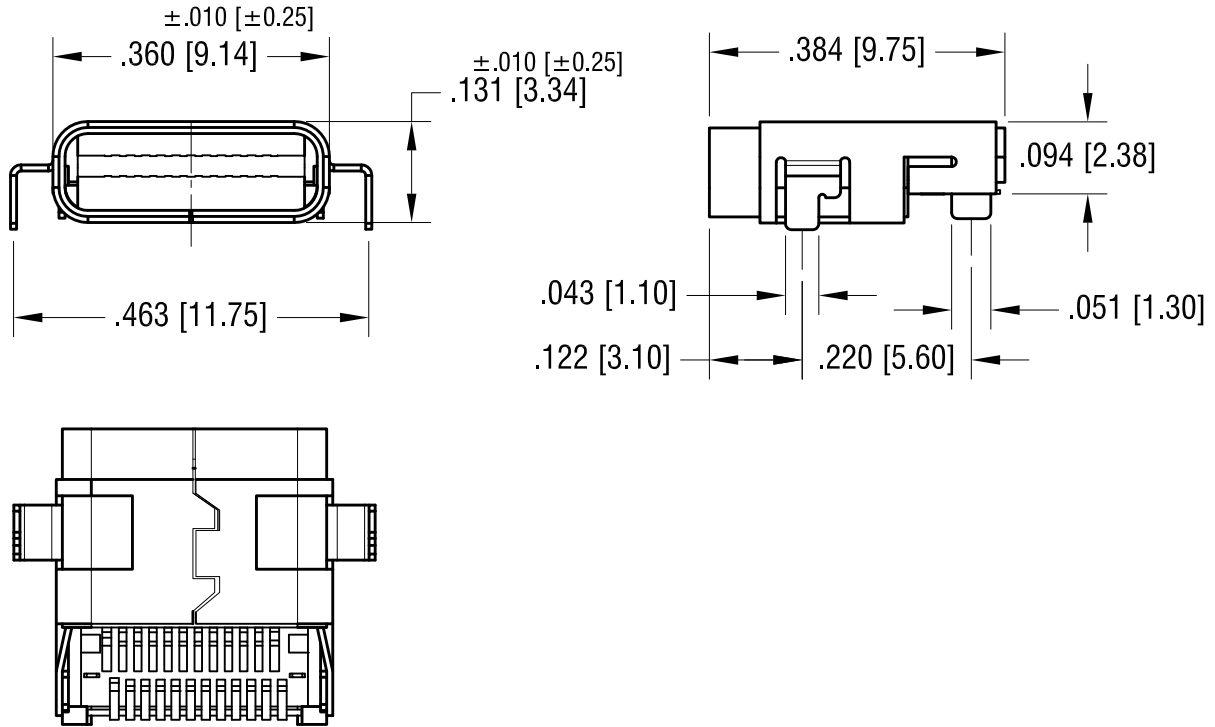
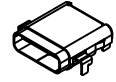


THIS DOCUMENT IS THE PROPERTY OF  
KEYSTONE ELECTRONICS CORP. AND  
SHALL NOT BE REPRODUCED, DISTRIBUTED  
OR USED AS A BASIS FOR MANUFACTURE  
WITHOUT PRIOR WRITTEN PERMISSION  
FROM KEYSTONE ELECTRONICS CORP.

ACTUAL SIZE



**NOTE:**

1. SHELL: MAT'L- STAINLESS STEEL  
FINISH: NICKEL PLATE
2. CONTACT: MAT'L .005 [0.12] TH'K BRASS  
GOLD PLATE
3. HOUSING: LCP, CLASS FILLED
4. OPERATING TEMPERATURE -55°C TO +85°C

5. CONTACT RESISTANCE:  
INITIAL: 20 milli OHMS MAX.  
INSULATION RESISTANCE- 100 Mega OHMS MIN.  
DIELECTRIC STRENGTH: 100 Vac Rms 60Hz. 1Min.

PAGE 1 OF 2

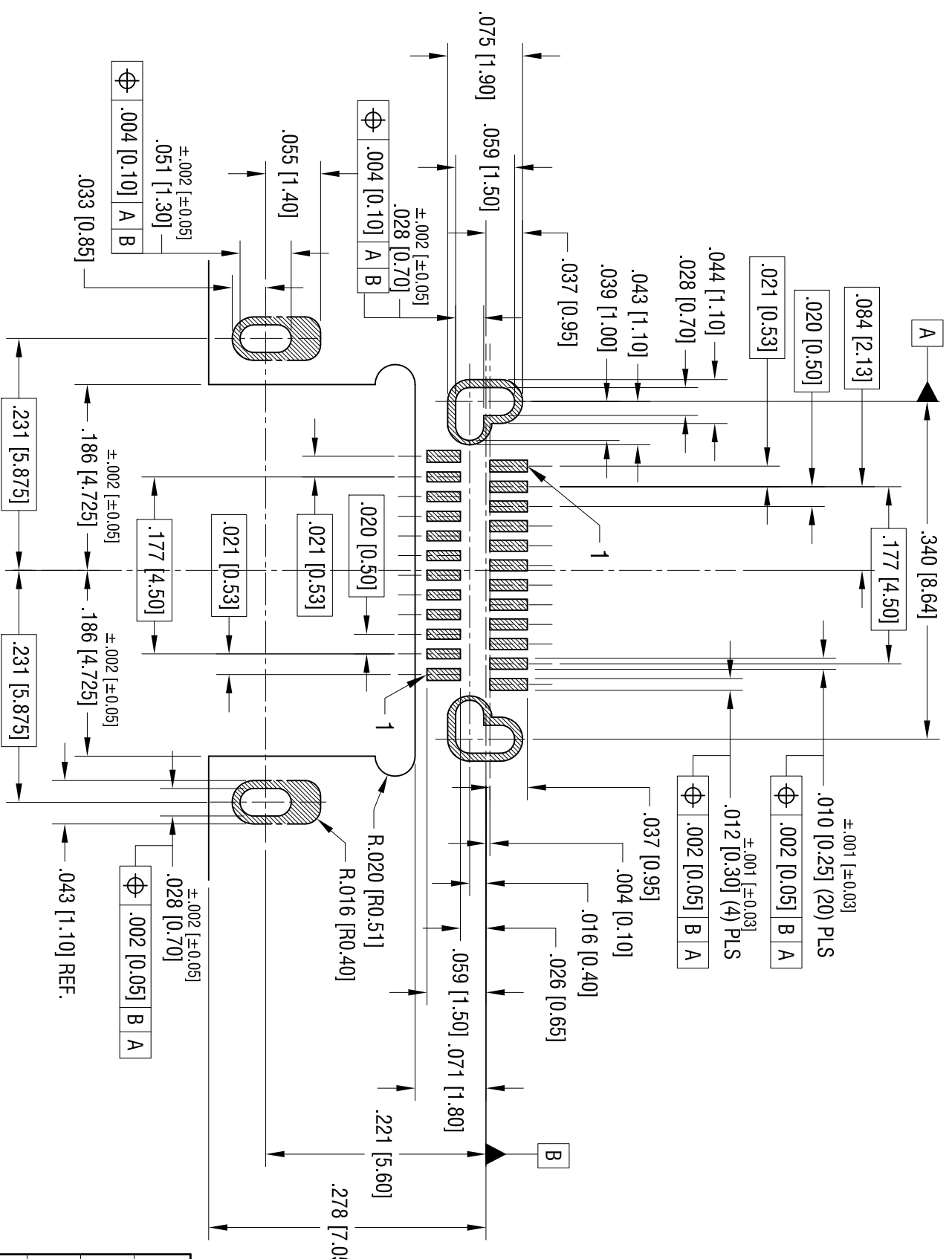
**KEYSTONE ELECTRONICS CORP.**

www.keyelco.com • ASTORIA, N.Y. 11105-2017 • Tel (718) 956-8900

PART NAME			
USB 3.1 TYPE-C RECEPTACLE- SMT TYPE			
MATERIAL			
AS NOTED			
FINISH		DRN BY	DATE
AS NOTED		NT	4.13.15
		APP'D	SCALE
		LN	4X
TOLERANCES	INCH [MM]	CODE	DWG NO.
DECIMAL	± .005 [± 0.13]	C	953
ANGULAR	± 1°		
UNLESS OTHERWISE SPECIFIED			

12.11.15	CHANGE AS PER ECN 15-139	A
DATE	DESCRIPTION	REV.

### PCB LAYOUT



DATE	DESCRIPTION	REV.
12.11.15	CHANGE AS PER ECN 15-139	A

PAGE 2 OF 2

**KEYSTONE ELECTRONICS CORP.**  
www.keystec.com • ASTORIA, N.Y. 11105-2017 • Tel (718) 956-8900

PART NAME  
USC 3.1 TYPE-C RECEPTACLE-SMT TYPE

MATERIAL  
AS NOTED

FINISH  
AS NOTED

TOLERANCES DECIMAL ANGULAR	INCH ± .005 ± 1°	[MM] [± 0.13 ]	CODE C	DRN BY NT	DATE 4.13.15	App'd LN	SCALE 7X
----------------------------------	------------------------	-------------------	-----------	--------------	-----------------	-------------	-------------

953

THIS DOCUMENT IS THE PROPERTY OF KEYSTONE ELECTRONICS CORP. AND SHALL NOT BE REPRODUCED, DISTRIBUTED OR USED AS A BASIS FOR MANUFACTURE WITHOUT PRIOR WRITTEN PERMISSION FROM KEYSTONE ELECTRONICS CORP.