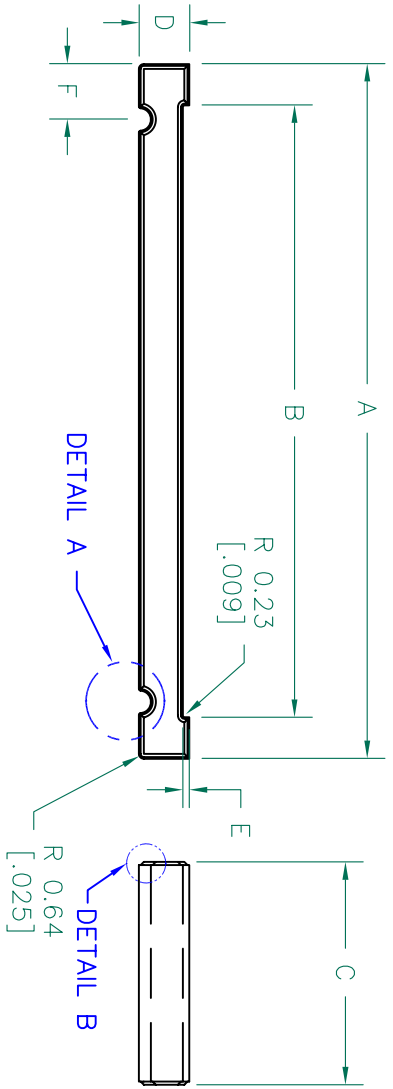


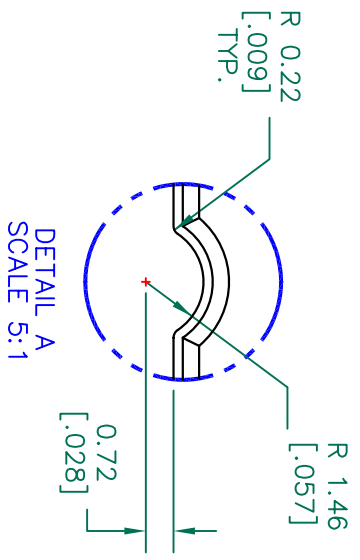
IMPEDANCE ( Z )			
Frequency	25 MHz	100 MHz	300 MHz
Nominal (REF)	80 Ω	240 Ω	630 Ω
Minimum	- Ω	192 Ω	- Ω



**UNCONTROLLED DOCUMENT**

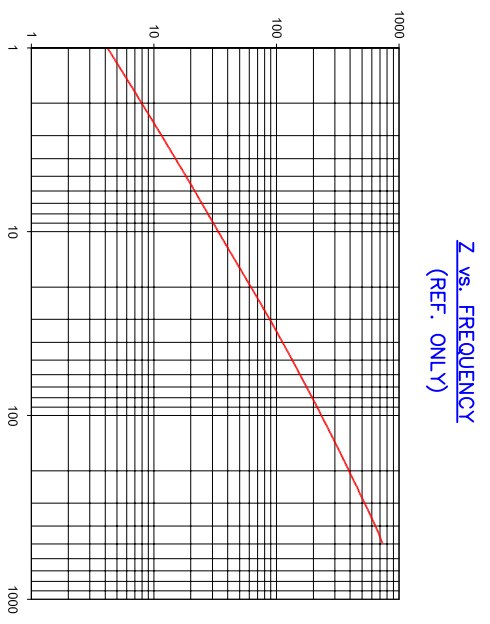


DETAIL B  
SCALE 13:1



DETAIL A  
SCALE 5:1

(g)



FREQUENCY (MHZ)  
AGILENT E4991A Impedance/Material Analyzer  
HP 16092A-Test Fixture

FERRITE CORE DIMENSIONS (SPEC): mm [in]

A	88.90 [3.500]	+	1.78 [0.070]
B	78.23 [3.080]	+	1.52 [0.060]
C	28.58 [1.125]	+	0.76 [0.030]
D	6.48 [0.255]	+	0.25 [0.010]
E	0.84 [0.033]	+	0.25 [0.010]
F	7.62 [0.300]	+	0.05 [0.002]

WEIGHT/1000 70.97 kgs 156.47 lbs

DIMENSIONS ARE IN INCHES (mm).			
F	CHANGE F DIMENSION	11/24/09	Jcd
E	UPDATE PRINT FORMAT & Z SPECS ADD CURVE, REM SCALE DWG	07/08/03	JRK
D	COR PART WEIGHT ADD KGS ADD F DIM	09/10/02	JRK
C	UPDATE PRINT FORMAT ADD DETAILS	07/16/01	JRK
B	UPDATED P/N FOR NEW CATALOG	11/13/95	JBE
A	ORIGINAL DRAFT	02/09/90	LNK
REV	DESCRIPTION	DATE	INT

This print is the property of Laird Tech. and is loaned in confidence subject to return upon request and with the understanding that no copies shall be made without the written consent of Laird Tech. All rights to design or invention are reserved.

PROJECT/PART NUMBER: **28S2012-000**

DATE: 02/09/90

SCALE: 1:1

CAD # 28S2012-000-F

TOOL # S2012

REVISION: F

PART TYPE: FERRITE SPLIT RIBBON

DRAWN BY: LNK

MATERIAL: FERRITE

**Laird TECHNOLOGIES**