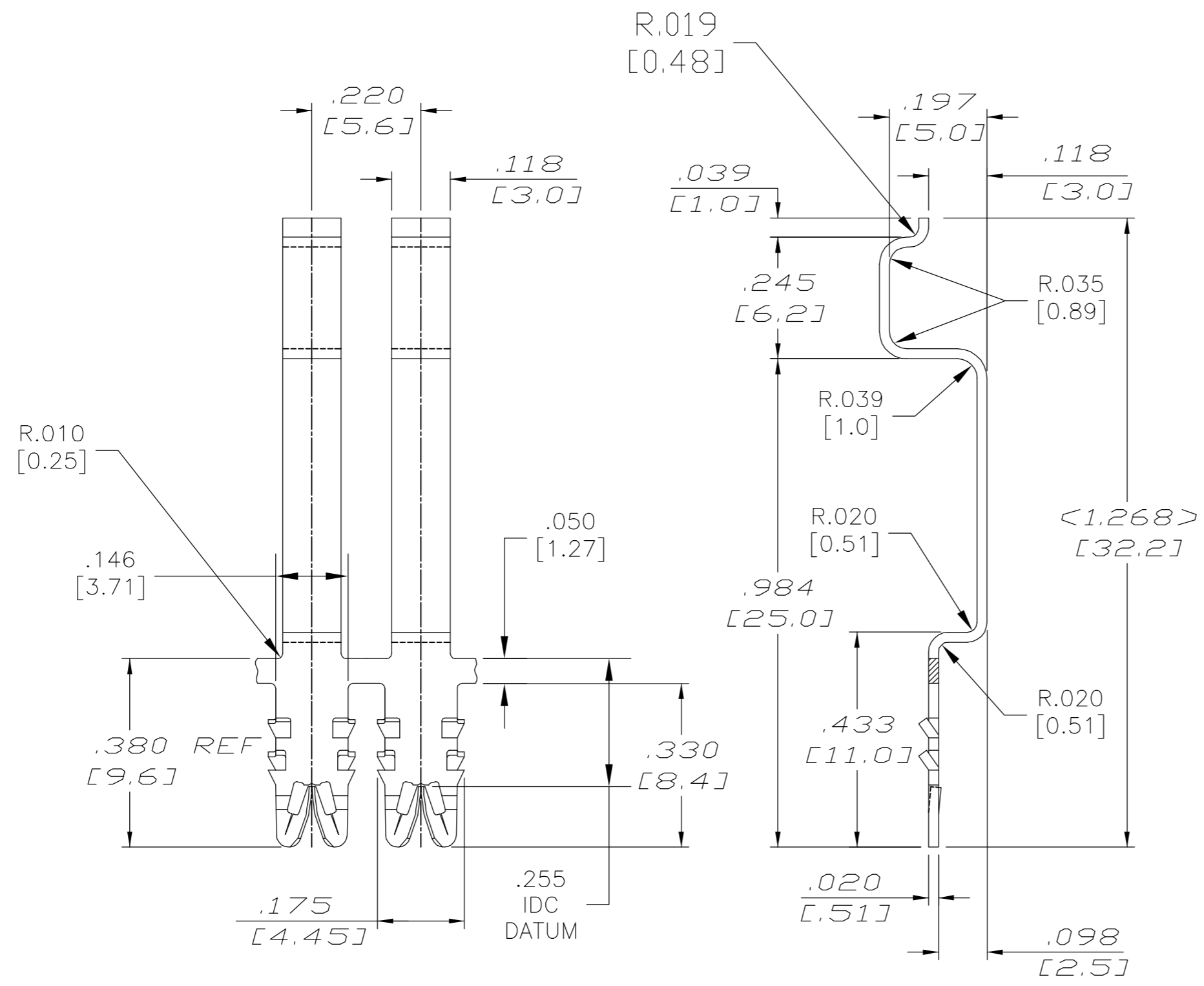
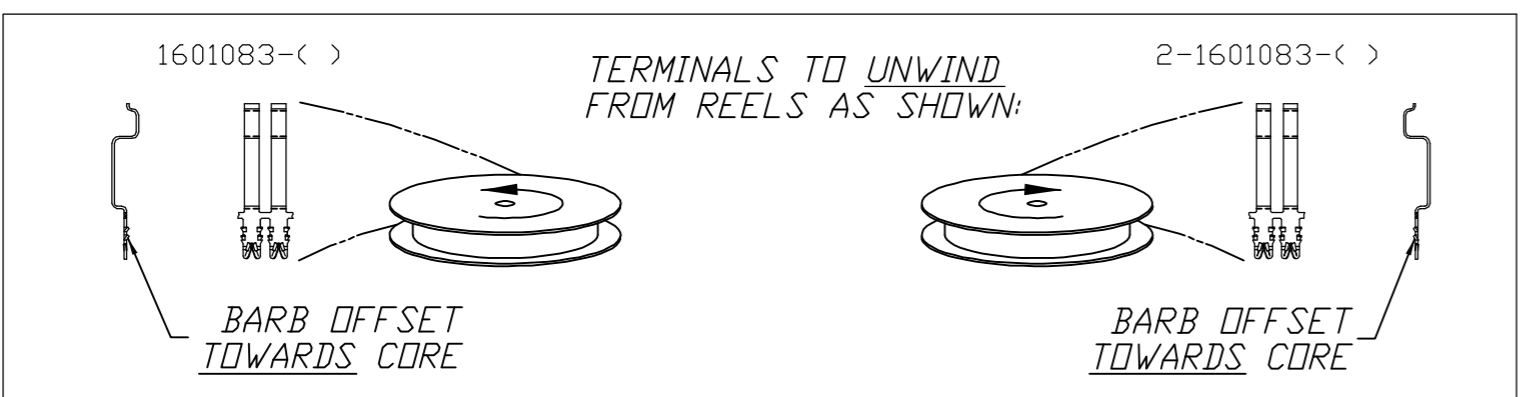
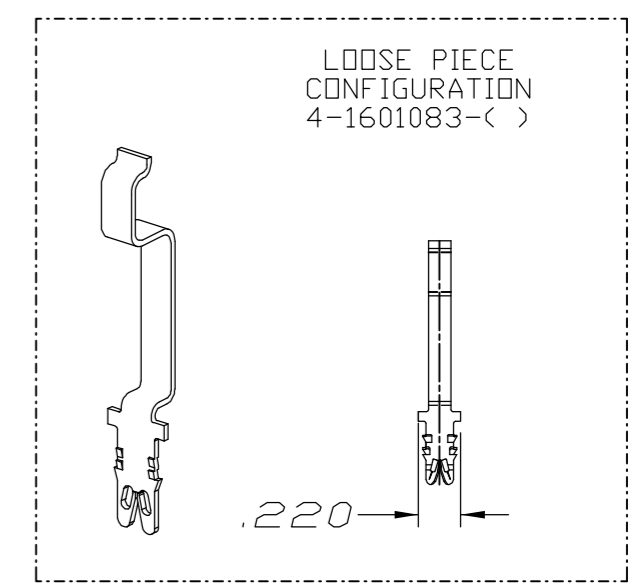


THIS DRAWING IS UNPUBLISHED. RELEASED FOR PUBLICATION
 © COPYRIGHT BY TYCO ELECTRONICS CORPORATION. ALL RIGHTS RESERVED.

LOC		DIST		REVISIONS			
P	LTR	DESCRIPTION		DATE	DWN	APVD	
AF	50	D	REV PER ECR	06-006952	30MAR06	JR	GJ



1. SPECIFICATIONS:
MAGNET WIRE #18 - #34 AWG,
.040"(1.02MM)-.006"(0.16MM) DIA. COPPER
OTHER SIZES MAY BE ACCOMMODATED,
CONSULT TYCO ELECTRONICS FOR APPROVAL.
2. POCKET RECOMMENDATION:
#1601425
3. NOTES:
TERMINALS SUPPLIED ON REELS,
CAN BE SUPPLIED LOOSE PIECE,
4. TERMINAL APPLICATION TO COMPLY WITH
TYCO ELECTRONICS SPEC #114-13166, FIG 9
5. PRELIMINARY - NOT FOR PRODUCTION



OBSOLETE

FINISH		REFERENCE PART NUMBER	TYCO PART NUMBER
Pre-Tin Plate over Nickel Underplate	-	-	2-1601083-3
Pre-Tin Plate over Nickel Underplate	-	-	1601083-3
Pre-Silver Plate over Nickel Underplate	031-153-025	4-1601083-2	
Pre-Silver Plate over Nickel Underplate	131-154-025	2-1601083-2	
Pre-Silver Plate over Nickel Underplate	131-153-025	1601083-2	

THIS DRAWING IS A CONTROLLED DOCUMENT.		DWN J.WELLER 11JAN2002	Tyco Electronics Corporation Harrisburg, PA 17105-3608
DIMENSIONS: INCHES		CHK M.FEHER 11JAN2002	
TOLERANCES UNLESS OTHERWISE SPECIFIED:		APVD K.RANDOLPH 11JAN2002	
0 PLC ± - 1 PLC ± - 2 PLC ± .01 [0.25] 3 PLC ± .005 [0.13] 4 PLC ± - ANGLES ± 2°		PRODUCT SPEC 108-2085 APPLICATION SPEC 4	
MATERIAL H04 FULL HARD	FINISH SEE TABLE	WEIGHT -	NAME STANDARD RANGE WIRE 54 MM CONTACTOR SIAMEZE TERMINAL SIZE A2 CAGE CODE 00779 DRAWING NO C=1601083 RESTRICTED TO - SCALE 4:1 SHEET 1 OF 1 REV D