

# DATA SHEET

## **PCK2002M**

0–300 MHz I<sup>2</sup>C 1:10 clock buffer

Product data

2001 Jul 19

File under Integrated Circuits ICL03

0–300 MHz I<sup>2</sup>C 1:10 clock buffer

## PCK2002M

## FEATURES

- HIGH speed, LOW noise non-inverting 1:10 buffer
- Mobile (reduced pincount) version of PCK2002
- Typically used to support two SDRAM DIMMs
- 28-pin SSOP and TSSOP packages
- See PCK2002 for 48-pin 1-18 buffer part supporting up to 4 SDRAM DIMMs
- Optimized for 66 MHz, 100 MHz and 133 MHz operation
- Multiple V<sub>DD</sub> and V<sub>SS</sub> pins for noise reduction
- Spread spectrum compliant
- 175 ps skew outputs
- Individual clock output enable/disable via I<sup>2</sup>C

## DESCRIPTION

The PCK2002M is a 1–10 fanout buffer used for 133/100 MHz CPU, 66/33 MHz PCI, 14.318 MHz REF, or 133/100/66 MHz SDRAM clock distribution. 10 outputs are typically used to support up to 2 SDRAM DIMMs commonly found in laptop or mobile applications. The PCK2002M has the same features and operating characteristics of the PCK2002 and is available in the SSOP 28 pin package.

All clock outputs meet Intel's drive, rise/fall time, accuracy, and skew requirements. An I<sup>2</sup>C interface is included to allow each output to be enabled/disabled individually. An output disabled via the I<sup>2</sup>C interface will be held in the LOW state. In addition, there is an OE input which 3-states all outputs.

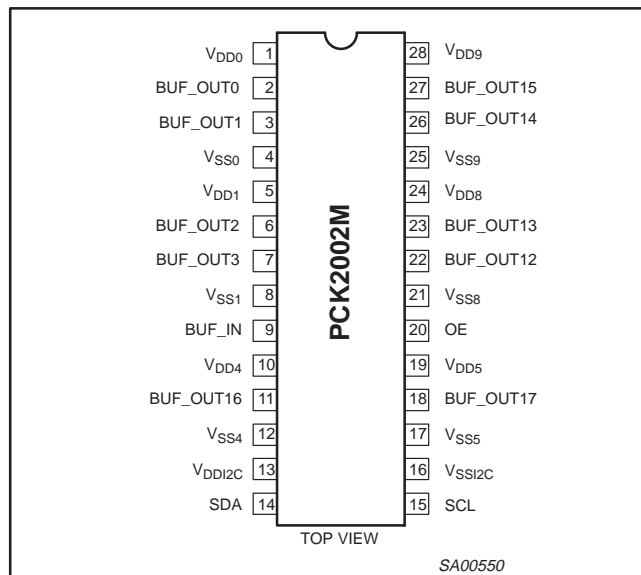
## QUICK REFERENCE DATA

SYMBOL	PARAMETER	CONDITIONS	TYPICAL	UNIT
t <sub>PLH</sub> t <sub>PHL</sub>	Propagation delay BUF_IN to BUF_OUT <sub>n</sub>	V <sub>CC</sub> = 3.3 V, CL = 30 pF	2.7 2.9	ns
t <sub>r</sub>	Rise time	V <sub>CC</sub> = 3.3 V, CL = 30 pF	1.1	ns
t <sub>f</sub>	Fall time	V <sub>CC</sub> = 3.3 V, CL = 30 pF	1.0	ns
I <sub>CC</sub>	Total supply current	V <sub>CC</sub> = 3.465 V	35	μA

## ORDERING INFORMATION

PACKAGES	TEMPERATURE RANGE	ORDER CODE	DRAWING NUMBER
28-Pin Plastic SSOP	0 to +70 °C	PCK2002MDB	SOT341–1
28-Pin Plastic TSSOP	0 to +70 °C	PCK2002MPW	SOT361–1

## PIN CONFIGURATION



## PIN DESCRIPTION

PIN NUMBER	I/O TYPE	SYMBOL	FUNCTION
2, 3, 6, 7	Output	BUF_OUT (0–3)	Buffered clock outputs
22, 23, 26, 27	Output	BUF_OUT (12–15)	Buffered clock outputs
11, 18	Output	BUF_OUT (16–17)	Buffered clock outputs
9	Input	BUF_IN	Buffered clock input
20	Input	OE	Active high output enable
14	I/O	SDA	I <sup>2</sup> C serial data
15	Input	SCL	I <sup>2</sup> C serial clock
1, 5, 10, 19, 24, 28	Input	V <sub>DD</sub> (0, 1, 4, 5, 8, 9)	3.3 V power supply
4, 8, 12, 17, 21, 25	Input	V <sub>SS</sub> (0, 1, 4, 5, 8, 9)	Ground
13	Input	V <sub>DDI2C</sub>	3.3 V I <sup>2</sup> C power supply
16	Input	V <sub>DDI2C</sub>	I <sup>2</sup> C ground

Intel and Pentium are registered trademarks of Intel Corporation. I<sup>2</sup>C is a trademark of Philips Semiconductors Corporation.

0–300 MHz I<sup>2</sup>C 1:10 clock buffer

PCK2002M

## FUNCTION TABLE

OE	BUF_IN	I <sup>2</sup> CEN	BUF_OUTn
L	X	X	Z
H	L	X	L
H	H	H	H
H	H	L	L

ABSOLUTE MAXIMUM RATINGS<sup>1, 2</sup>

In accordance with the Absolute Maximum Rating System (IEC 134)

Voltages are referenced to V<sub>SS</sub> (V<sub>SS</sub> = 0 V)

SYMBOL	PARAMETER	CONDITION	LIMITS		UNIT
			MIN	MAX	
V <sub>DD</sub>	DC 3.3 V supply voltage		-0.5	+4.6	V
I <sub>IK</sub>	DC input diode current	V <sub>I</sub> < 0	—	-50	mA
V <sub>I</sub>	DC input voltage	Note 2	-0.5	4.6	V
I <sub>OK</sub>	DC output diode current	V <sub>O</sub> > V <sub>DD</sub> or V <sub>O</sub> < 0	—	±50	mA
V <sub>O</sub>	DC output voltage	Note 2	-0.5	V <sub>CC</sub> + 0.5	V
I <sub>O</sub>	DC output source or sink current	V <sub>O</sub> ≥ 0 to V <sub>DD</sub>	—	±50	mA
T <sub>stg</sub>	Storage temperature range		-65	+150	°C
P <sub>TOT</sub>	Power dissipation per package plastic medium-shrink SO (SSOP)	For temperature range: 0 to +70 °C above +55 °C derate linearly with 11.3 mW/K	—	850	mW

## NOTES:

- Stresses beyond those listed may cause permanent damage to the device. These are stress ratings only and functional operation of the device at these or any other conditions beyond those indicated under “recommended operating conditions” is not implied. Exposure to absolute-maximum-rated conditions for extended periods may affect device reliability.
- The input and output voltage ratings may be exceeded if the input and output current ratings are observed.

## RECOMMENDED OPERATING CONDITIONS

SYMBOL	PARAMETER	CONDITIONS	LIMITS		UNIT
			MIN	MAX	
V <sub>DD</sub>	DC 3.3 V supply voltage		3.135	3.465	V
C <sub>L</sub>	Capacitive load		20	30	pF
V <sub>I</sub>	DC input voltage range		0	V <sub>DD</sub>	V
V <sub>O</sub>	DC output voltage range		0	V <sub>DD</sub>	V
T <sub>amb</sub>	Operating ambient temperature range in free air		0	+70	°C

0–300 MHz I<sup>2</sup>C 1:10 clock buffer

## PCK2002M

## DC CHARACTERISTICS

SYMBOL	PARAMETER	TEST CONDITIONS			LIMITS		UNIT
					T <sub>amb</sub> = 0 to +70 °C		
		V <sub>DD</sub> (V)	OTHER		MIN	MAX	
V <sub>IH</sub>	HIGH level input voltage	3.135 to 3.465			2.0	V <sub>DD</sub> + 0.3	V
V <sub>IL</sub>	LOW level input voltage	3.135 to 3.465			V <sub>SS</sub> - 0.3	0.8	V
V <sub>OH</sub>	3.3 V output HIGH voltage	3.135 to 3.465	I <sub>OH</sub> = -1 mA		V <sub>CC</sub> - 0.1	—	V
		3.135	I <sub>OH</sub> = -36 mA		2.4	—	
V <sub>OL</sub>	3.3 V output LOW voltage	3.135 to 3.465	I <sub>OL</sub> = 1 mA		—	0.1	V
		3.135	I <sub>OL</sub> = 24 mA		—	0.4	
I <sub>OH</sub>	Output HIGH current	3.135 to 3.465	V <sub>OUT</sub> = 2.0 V		-54	-126	mA
		3.135 to 3.465	V <sub>OUT</sub> = 3.135 V		-21	-46	
I <sub>OL</sub>	Output LOW current	3.135 to 3.465	V <sub>OUT</sub> = 1.0 V		49	118	mA
		3.135 to 3.465	V <sub>OUT</sub> = 0.4 V		24	53	
±I <sub>I</sub>	Input leakage current	3.465			—	±5	µA
±I <sub>OZ</sub>	3-State output OFF-State current	3.465	V <sub>OUT</sub> = V <sub>DD</sub> or GND	I <sub>O</sub> = 0	—	±10	µA
I <sub>CC</sub>	Quiescent supply current	3.465	V <sub>I</sub> = V <sub>DD</sub> or GND	I <sub>O</sub> = 0	—	100	µA
ΔI <sub>CC</sub>	Additional quiescent supply current given per control pin	3.135 to 3.465	V <sub>I</sub> = V <sub>DD</sub> - 0.6 V	I <sub>O</sub> = 0	—	500	µA

0–300 MHz I<sup>2</sup>C 1:10 clock buffer

PCK2002M

## AC CHARACTERISTICS

SYMBOL	PARAMETER	TEST CONDITIONS		LIMITS T <sub>amb</sub> = 0°C to +70°C			UNIT
			NOTES	MIN	TYP <sup>7</sup>	MAX	
T <sub>SDRISE</sub>	SDRAM rise time		2, 4	1.5	2.0	4.0	V/ns
T <sub>SDFALL</sub>	SDRAM fall time		2, 4	1.5	2.9	4.0	V/ns
T <sub>PLH</sub>	SDRAM buffer LH propagation delay		4, 5	1.2	2.7	3.5	ns
T <sub>PHL</sub>	SDRAM buffer HL propagation delay		4, 5	1.2	2.7	3.5	ns
T <sub>PZL</sub> , T <sub>PZH</sub>	SDRAM buffer enable time		4, 5	1.0	2.6	5.0	ns
T <sub>PLZ</sub> , T <sub>PHZ</sub>	SDRAM buffer disable time		4, 5	1.0	2.7	5.0	ns
DUTY CYCLE	Output Duty Cycle	Measured at 1.5 V	3, 4, 5	45	52	55	%
T <sub>SDSKW</sub>	SDRAM Bus CLK skew		1, 4	—	150	250	ps
T <sub>DDSKW</sub>	Device to device skew			—	—	500	ps

## NOTES:

1. Skew is measured on the rising edge at 1.5 V.
2. T<sub>SDRISE</sub> and T<sub>SDFALL</sub> are measured as a transition through the threshold region V<sub>OL</sub> = 0.4 V and V<sub>OH</sub> = 2.4 V (1 mA) JEDEC specification.
3. Duty cycle should be tested with a 50/50% input.
4. Over MIN (20 pF) to MAX (30 pF) discrete load, process, voltage, and temperature.
5. Input edge rate for these tests must be faster than 1 V/ns.
6. Calculated at minimum edge rate (1.5 ns) to guarantee 45/55% duty cycle at 1.5 V. Pulsethickness is required to be wider at the faster edge to ensure duty cycle specification is met.
7. All typical values are at V<sub>CC</sub> = 3.3 V and T<sub>amb</sub> = 25 °C.
8. Typical is measured with MAX (30 pF) discrete load.
9. Typical is measured with MIN (20 pF) discrete load.

# 0–300 MHz I<sup>2</sup>C 1:10 clock buffer

# PCK2002M

## I<sup>2</sup>C CONSIDERATIONS

I<sup>2</sup>C has been chosen as the serial bus interface to control the PCK2001M. I<sup>2</sup>C was chosen to support the JEDEC proposal JC-42.5 168-Pin Unbuffered SDRAM DIMM. All vendors are required to determine the legal issues associated with the manufacture of I<sup>2</sup>C devices.

1) Address assignment: The clock driver in this specification uses the single, 7-bit address shown below. All devices can use the address if only one master clock driver is used in a design. The address can be re-used for the CKBF device if no other conflicting I<sup>2</sup>C clock driver is used in the system.

The following address was confirmed by Philips on 09/04/96.

A6	A5	A4	A3	A2	A1	A0	R/ $\overline{W}$
1	1	0	1	0	0	1	0

**NOTE:** The R/ $\overline{W}$  bit is used by the I<sup>2</sup>C controller as a data direction bit. A 'zero' indicates a transmission (WRITE) to the clock device. A 'one' indicates a request for data (READ) from the clock driver. Since the definition of the clock buffer only allows the controller to WRITE data; the R/ $\overline{W}$  bit of the address will always be seen as 'zero'. Optimal address decoding of this bit is left to the vendor.

2) Options: It is our understanding that metal mask options and other pinouts of this type of clock driver will be allowed to use the same address as the original CKBF device. I<sup>2</sup>C addresses are defined in terms of function (master clock driver) rather than form (pinout, and option).

3) Slave/Receiver: The clock driver is assumed to require only slave/receiver functionality. Slave/transmitter functionality is optional.

4) Data Transfer Rate: 100 kbits/s (standard mode) is the base functionality required. Fast mode (400 kbits/s) functionality is optional.

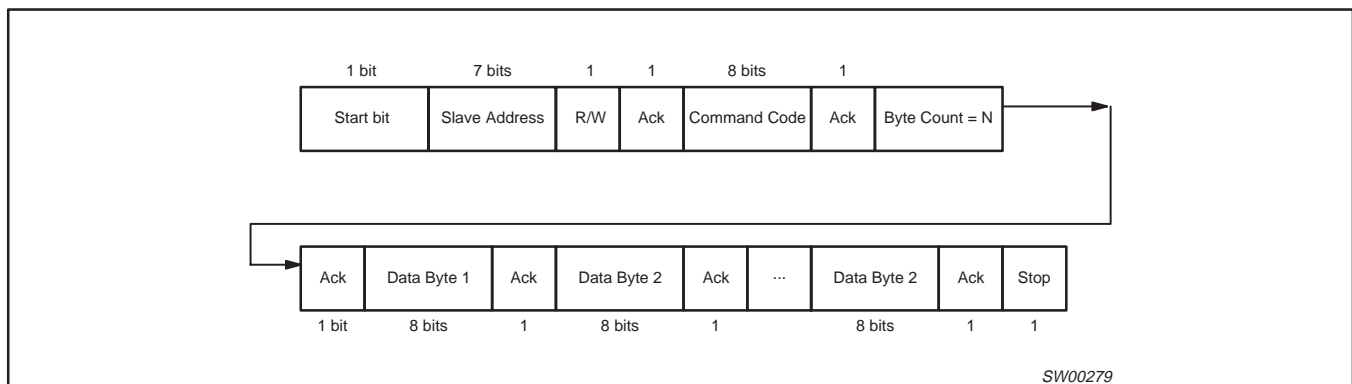
5) Logic Levels: I<sup>2</sup>C logic levels are based on a percentage of  $V_{DD}$  for the controller and other devices on the bus. Assume all devices are based on a 3.3 Volt supply.

6) Data Byte Format: Byte format is 8 Bits as described in the following appendices.

7) Data Protocol: To simplify the clock I<sup>2</sup>C interface, the clock driver serial protocol was specified to use only block writes from the controller. The bytes must be accessed in sequential order from lowest to highest byte with the ability to stop after any complete byte has been transferred. Indexed bytes are not allowed. However, the SMBus controller has a more specific format than the generic I<sup>2</sup>C protocol.

The clock driver must meet this protocol which is more rigorous than previously stated I<sup>2</sup>C protocol. Treat the description from the viewpoint of controller. The controller "writes" to the clock driver and if possible would "read" from the clock driver (the clock driver is a slave/receiver only and is incapable of this transaction.)

"The block write begins with a slave address and a write condition. After the command code the host (controller) issues a byte count which describes how many more bytes will follow in the message. If the host had 20 bytes to send, the first byte would be the number 20 (14h), followed by the 20 bytes of data. The byte count may not be 0. A block write command is allowed to transfer a maximum of 32 data bytes."



**NOTE:** The acknowledgement bit is returned by the slave/receiver (the clock driver).

Consider the command code and the byte count bytes required as the first two bytes of any transfer. The command code is software programmable via the controller, but will be specified as 0000 0000 in the clock specification. The byte count byte is the number of additional bytes required to transfer, not counting the command code and byte count bytes. Additionally, the byte count byte is required to be a minimum of 1 byte and a maximum of 32 bytes to satisfy the above requirement.

0–300 MHz I<sup>2</sup>C 1:10 clock buffer

PCK2002M

For example:

Byte count byte		Notes:
MSB	LSB	
0000	0000	Not allowed. Must have at least one byte.
0000	0001	Data for functional and frequency select register (currently byte 0 in spec)
0000	0010	Reads first two bytes of data. (byte 0 then byte 1)
0000	0011	Reads first three bytes (byte 0, 1, 2 in order)
0000	0100	Reads first four bytes (byte 0, 1, 2, 3 in order)
0000	0101	Reads first five bytes (byte 0, 1, 2, 3, 4 in order)
0000	0110	Reads first six bytes (byte 0, 1, 2, 3, 4, 5 in order)
0000	0111	Reads first seven bytes (byte 0, 1, 2, 3, 4, 5, 6 in order)
0010	0000	Max byte count supported = 32

A transfer is considered valid after the acknowledge bit corresponding to the byte count is read by the controller. The serial controller interface can be simplified by discarding the information in both the command code and the byte count bytes and simply reading all the bytes that are sent to the clock driver after being addressed by the controller. It is expected that the controller will not provide more bytes than the clock driver can handle. A clock vendor may choose to discard any number of bytes that exceed the defined byte count.

8) Clock stretching: The clock device must not hold/stretch the SCLOCK or SDATA lines low for more than 10 ms. Clock stretching is discouraged and should only be used as a last resort. Stretching the clock/data lines for longer than this time puts the device in an error/time-out mode and may not be supported in all platforms. It is assumed that all data transfers can be completed as specified without the use of clock/data stretching.

9) General Call: It is assumed that the clock driver will not have to respond to the “general call.”

10) Electrical Characteristics: All electrical characteristics must meet the standard mode specifications found in section 15 of the I<sup>2</sup>C specification.

a) Pull-Up Resistors: Any internal resistors pull-ups on the SDATA and SCLOCK inputs must be stated in the individual datasheet. The use of internal pull-ups on these pins of below 100 k $\Omega$  is discouraged. Assume that the board designer will use a single external pull-up resistor for each line and that these values are in the 5–6 k $\Omega$  range. Assume one I<sup>2</sup>C device per DIMM (serial presence detect), one I<sup>2</sup>C controller, one clock driver plus one/two more I<sup>2</sup>C devices on the platform for capacitive loading purposes.

(b) Input Glitch Filters: Only fast mode I<sup>2</sup>C devices require input glitch filters to suppress bus noise. The clock driver is specified as a standard mode device and is not required to support this feature.

11) PWR DWN: If a clock driver is placed in PWR DWN mode, the SDATA and SCLK inputs must be 3-States and the device must retain all programming information. I<sub>DD</sub> current due to the I<sup>2</sup>C circuitry must be characterized and in the data sheet.

For specific I<sup>2</sup>C information consult the *Philips I<sup>2</sup>C Peripherals Data Handbook IC12 (1997)*.

0–300 MHz I<sup>2</sup>C 1:10 clock buffer

PCK2002M

**SERIAL CONFIGURATION MAP**

The serial bits will be read by the clock buffer in the following order:

Byte 0 – Bits 7, 6, 5, 4, 3, 2, 1, 0

Byte 1 – Bits 7, 6, 5, 4, 3, 2, 1, 0

Byte 2 – Bits 7, 6, 5, 4, 3, 2, 1, 0

All unused register bits (Reserved and N/A) should be designed as “Don’t Care”. It is expected that the controller will force all of these bits to a “0” level.

All register bits labeled “Initialize to 0” must be written to zero during initialization. Failure to do so may result in a higher than normal operating current. The controller will read back the last written value.

**Byte 0: Output active/inactive register**

1 = enable; 0 = disable

BIT	PIN#	NAME	DESCRIPTION
7	—	—	Initialize to 0
6	—	—	Initialize to 0
5	—	—	Initialize to 0
4	—	—	Initialize to 0
3	7	BUF_OUT3	Active/Inactive
2	6	BUF_OUT2	Active/Inactive
1	3	BUF_OUT1	Active/Inactive
0	2	BUF_OUT0	Active/Inactive

**NOTE:**

1. Inactive means outputs are held LOW and are disabled from switching. These outputs are designed to be configured at power-on and are not expected to be configured during the normal modes of operation.

**Byte 1: Output active/inactive register**

1 = enable; 0 = disable

BIT	PIN#	NAME	DESCRIPTION
7	27	BUF_OUT15	Active/Inactive
6	26	BUF_OUT14	Active/Inactive
5	23	BUF_OUT13	Active/Inactive
4	22	BUF_OUT12	Active/Inactive
3	—	—	Initialize to 0
2	—	—	Initialize to 0
1	—	—	Initialize to 0
0	—	—	Initialize to 0

**NOTE:**

1. Inactive means outputs are held LOW and are disabled from switching. These outputs are designed to be configured at power-on and are not expected to be configured during the normal modes of operation.

**Byte 2: Optional register for possible future requirements**

BIT	PIN#	NAME	DESCRIPTION
7	18	BUF_OUT17	Active/Inactive
6	11	BUF_OUT16	Active/Inactive
5	—	(reserved)	(reserved)
4	—	(reserved)	(reserved)
3	—	(reserved)	(reserved)
2	—	(reserved)	(reserved)
1	—	(reserved)	(reserved)
0	—	(reserved)	(reserved)

**NOTE:**

1. Inactive means outputs are held LOW and are disabled from switching. These outputs are designed to be configured at power-on and are not expected to be configured during the normal modes of operation.



# 0–300 MHz I<sup>2</sup>C 1:10 clock buffer

# PCK2002M

## AC WAVEFORMS

$V_M = 1.5\text{ V}$   
 $V_X = V_{OL} + 0.3\text{ V}$   
 $V_Y = V_{OH} - 0.3\text{ V}$   
 $V_{OL}$  and  $V_{OH}$  are the typical output voltage drop that occur with the output load.

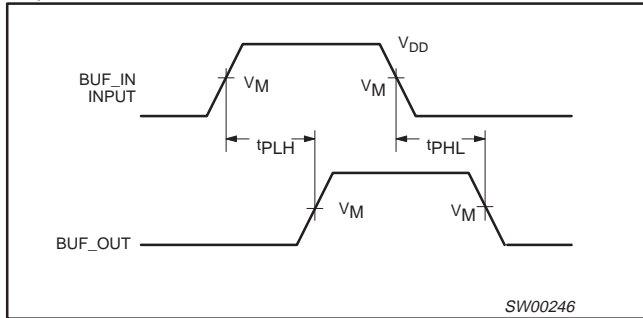


Figure 1. Load circuitry for switching times.

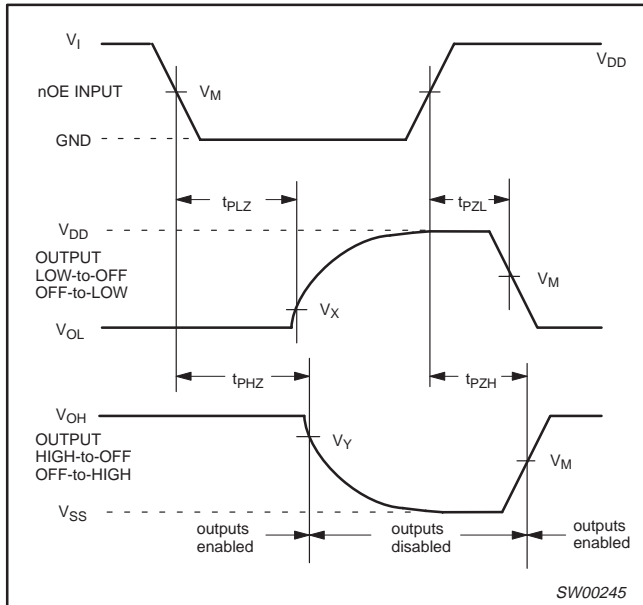


Figure 2. 3-State enable and disable times

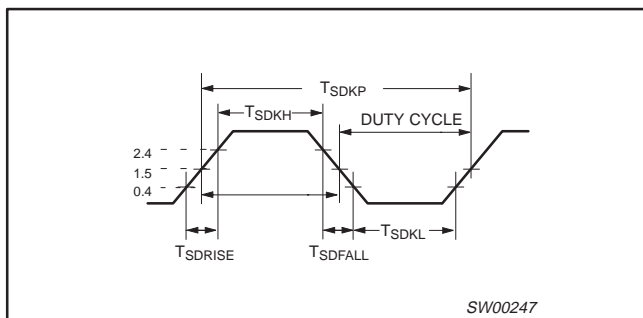


Figure 3. SDRAM Output clock

## TEST CIRCUIT

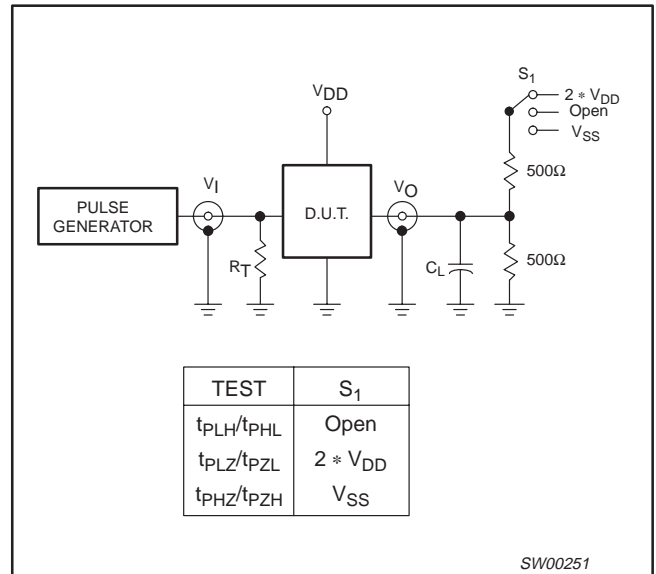


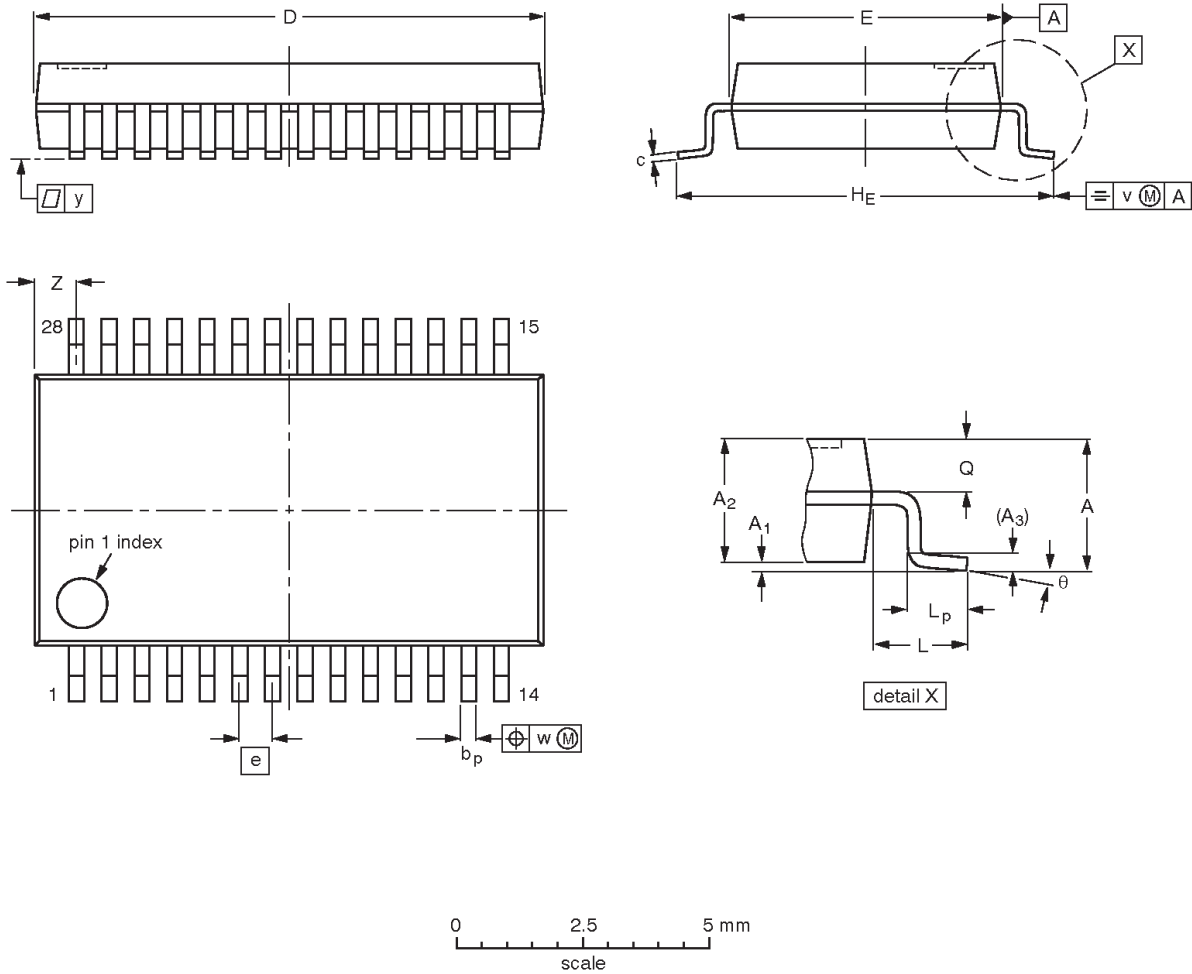
Figure 4. Load circuitry for switching times

0–300 MHz I<sup>2</sup>C 1:10 clock buffer

PCK2002M

SSOP28: plastic shrink small outline package; 28 leads; body width 5.3 mm

SOT341-1



**DIMENSIONS (mm are the original dimensions)**

UNIT	A max.	A <sub>1</sub>	A <sub>2</sub>	A <sub>3</sub>	b <sub>p</sub>	c	D <sup>(1)</sup>	E <sup>(1)</sup>	e	HE	L	L <sub>p</sub>	Q	v	w	y	Z <sup>(1)</sup>	θ
mm	2.0	0.21 0.05	1.80 1.65	0.25	0.38 0.25	0.20 0.09	10.4 10.0	5.4 5.2	0.65	7.9 7.6	1.25	1.03 0.63	0.9 0.7	0.2	0.13	0.1	1.1 0.7	8° 0°

**Note**

1. Plastic or metal protrusions of 0.20 mm maximum per side are not included.

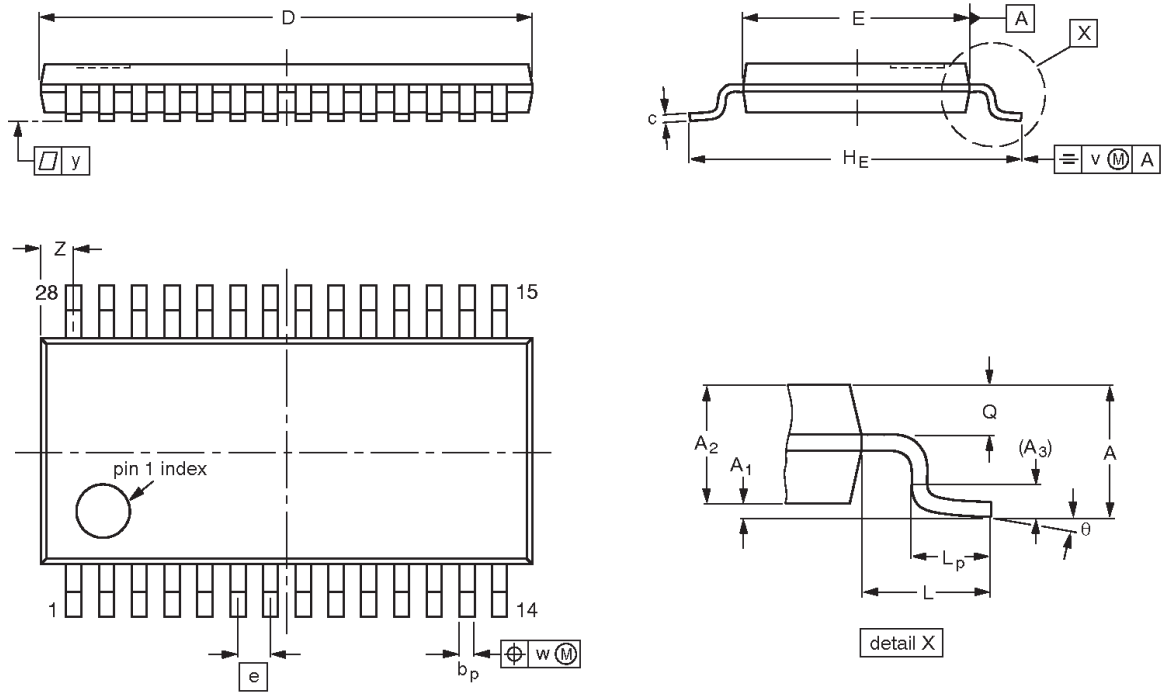
OUTLINE VERSION	REFERENCES				EUROPEAN PROJECTION	ISSUE DATE
	IEC	JEDEC	EIAJ			
SOT341-1		MO-150				95-02-04 99-12-27

0–300 MHz I<sup>2</sup>C 1:10 clock buffer

PCK2002M

TSSOP28: plastic thin shrink small outline package; 28 leads; body width 4.4 mm

SOT361-1



**DIMENSIONS (mm are the original dimensions)**

UNIT	A max.	A <sub>1</sub>	A <sub>2</sub>	A <sub>3</sub>	b <sub>p</sub>	c	D <sup>(1)</sup>	E <sup>(2)</sup>	e	H <sub>E</sub>	L	L <sub>p</sub>	Q	v	w	y	Z <sup>(1)</sup>	θ
mm	1.10	0.15 0.05	0.95 0.80	0.25	0.30 0.19	0.2 0.1	9.8 9.6	4.5 4.3	0.65	6.6 6.2	1.0	0.75 0.50	0.4 0.3	0.2	0.13	0.1	0.8 0.5	8° 0°

**Notes**

1. Plastic or metal protrusions of 0.15 mm maximum per side are not included.
2. Plastic interlead protrusions of 0.25 mm maximum per side are not included.

OUTLINE VERSION	REFERENCES				EUROPEAN PROJECTION	ISSUE DATE
	IEC	JEDEC	EIAJ			
SOT361-1		MO-153				95-02-04 99-12-27

0–300 MHz I<sup>2</sup>C 1:10 clock buffer

PCK2002M

## Data sheet status

Data sheet status <sup>[1]</sup>	Product status <sup>[2]</sup>	Definitions
Objective data	Development	This data sheet contains data from the objective specification for product development. Philips Semiconductors reserves the right to change the specification in any manner without notice.
Preliminary data	Qualification	This data sheet contains data from the preliminary specification. Supplementary data will be published at a later date. Philips Semiconductors reserves the right to change the specification without notice, in order to improve the design and supply the best possible product.
Product data	Production	This data sheet contains data from the product specification. Philips Semiconductors reserves the right to make changes at any time in order to improve the design, manufacturing and supply. Changes will be communicated according to the Customer Product/Process Change Notification (CPCN) procedure SNW-SQ-650A.

[1] Please consult the most recently issued data sheet before initiating or completing a design.

[2] The product status of the device(s) described in this data sheet may have changed since this data sheet was published. The latest information is available on the Internet at URL <http://www.semiconductors.philips.com>.

## Definitions

**Short-form specification** — The data in a short-form specification is extracted from a full data sheet with the same type number and title. For detailed information see the relevant data sheet or data handbook.

**Limiting values definition** — Limiting values given are in accordance with the Absolute Maximum Rating System (IEC 60134). Stress above one or more of the limiting values may cause permanent damage to the device. These are stress ratings only and operation of the device at these or at any other conditions above those given in the Characteristics sections of the specification is not implied. Exposure to limiting values for extended periods may affect device reliability.

**Application information** — Applications that are described herein for any of these products are for illustrative purposes only. Philips Semiconductors make no representation or warranty that such applications will be suitable for the specified use without further testing or modification.

## Disclaimers

**Life support** — These products are not designed for use in life support appliances, devices or systems where malfunction of these products can reasonably be expected to result in personal injury. Philips Semiconductors customers using or selling these products for use in such applications do so at their own risk and agree to fully indemnify Philips Semiconductors for any damages resulting from such application.

**Right to make changes** — Philips Semiconductors reserves the right to make changes, without notice, in the products, including circuits, standard cells, and/or software, described or contained herein in order to improve design and/or performance. Philips Semiconductors assumes no responsibility or liability for the use of any of these products, conveys no license or title under any patent, copyright, or mask work right to these products, and makes no representations or warranties that these products are free from patent, copyright, or mask work right infringement, unless otherwise specified.

## Contact information

For additional information please visit  
<http://www.semiconductors.philips.com>. Fax: +31 40 27 24825

© Koninklijke Philips Electronics N.V. 2001  
 All rights reserved. Printed in U.S.A.

Date of release: 07-01

For sales offices addresses send e-mail to:  
[sales.addresses@www.semiconductors.philips.com](mailto:sales.addresses@www.semiconductors.philips.com)

Document order number:

9397-750 08586

*Let's make things better.*