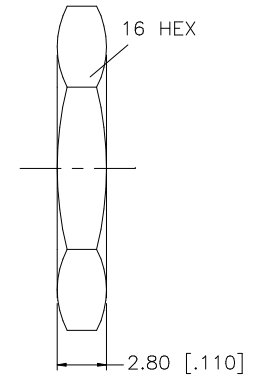
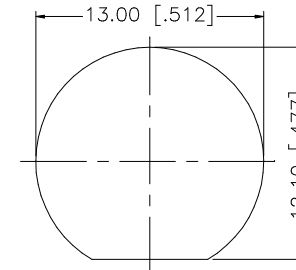
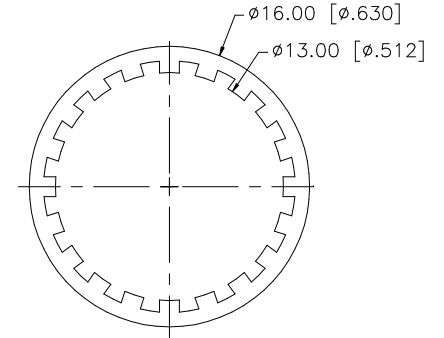
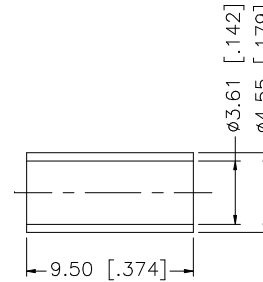
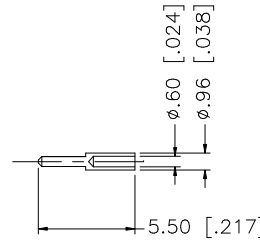
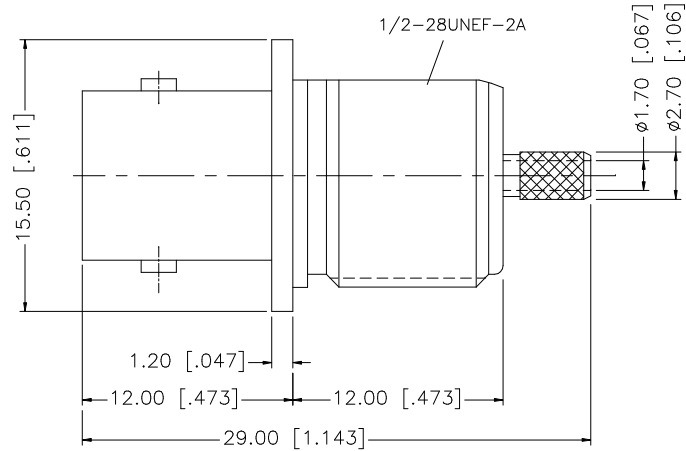
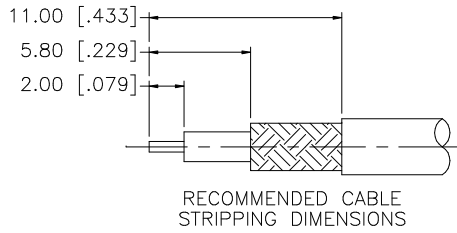


REV.	DATE	DESCRIPTION
A	05/01/04	UPDATE DRAWING FORMAT
B	10/19/05	MODIFY FERRULE DIMENSION



- NOTE:
1. CRIMPED FERRULE
HEX CRIMP SIZE .151"
 2. CRIMPED CONTACT PIN
SQ. CRIMP SIZE 0.7mm
 3. MAX. PANEL THICKNESS = 7mm

QTY	FINISH	MATERIAL	DESCRIPTION
1	NICKEL	BRASS	BODY
1	GOLD	PHOS. BRONZE	CONTACT PIN
1	NICKEL	COPPER	FERRULE

UNLESS OTHERWISE SPECIFIED DIMENSIONS ARE IN MILLIMETERS. DIMENSIONS IN [] ARE IN INCHES AND FOR CUSTOMER REFERENCE ONLY.

UNLESS OTHERWISE SPECIFIED TOLERANCES FOR MILLIMETERS ARE:
0.5 - 8mm ± 0.20mm
8 - 30mm ± 0.40mm
30 - 120mm ± 0.50mm

UNLESS OTHERWISE SPECIFIED TOLERANCES FOR INCHES ARE:
.020 - .315 = ± 0.007"
.315 - 1.180 = ± 0.015"
1.180 - 4.724 = ± 0.020"

DO NOT SCALE DRAWING

APPROVALS	DATE
DRAWN G.R.S.	05/01/04
CHECKED	
ISSUED	
SHEET 1 OF 1	
CAD FILE	C:/112/112635.DWG

Amphenol Connex

PART DESCRIPTION
**BNC BULKHEAD CRIMP JACK – FRONT MOUNT
(FOR RG-316U/D CABLE)**

PART NO. **112635**

DWG. NO. 112635.DWG	REV. B	SIZE A	SCALE NA
---------------------	--------	--------	----------