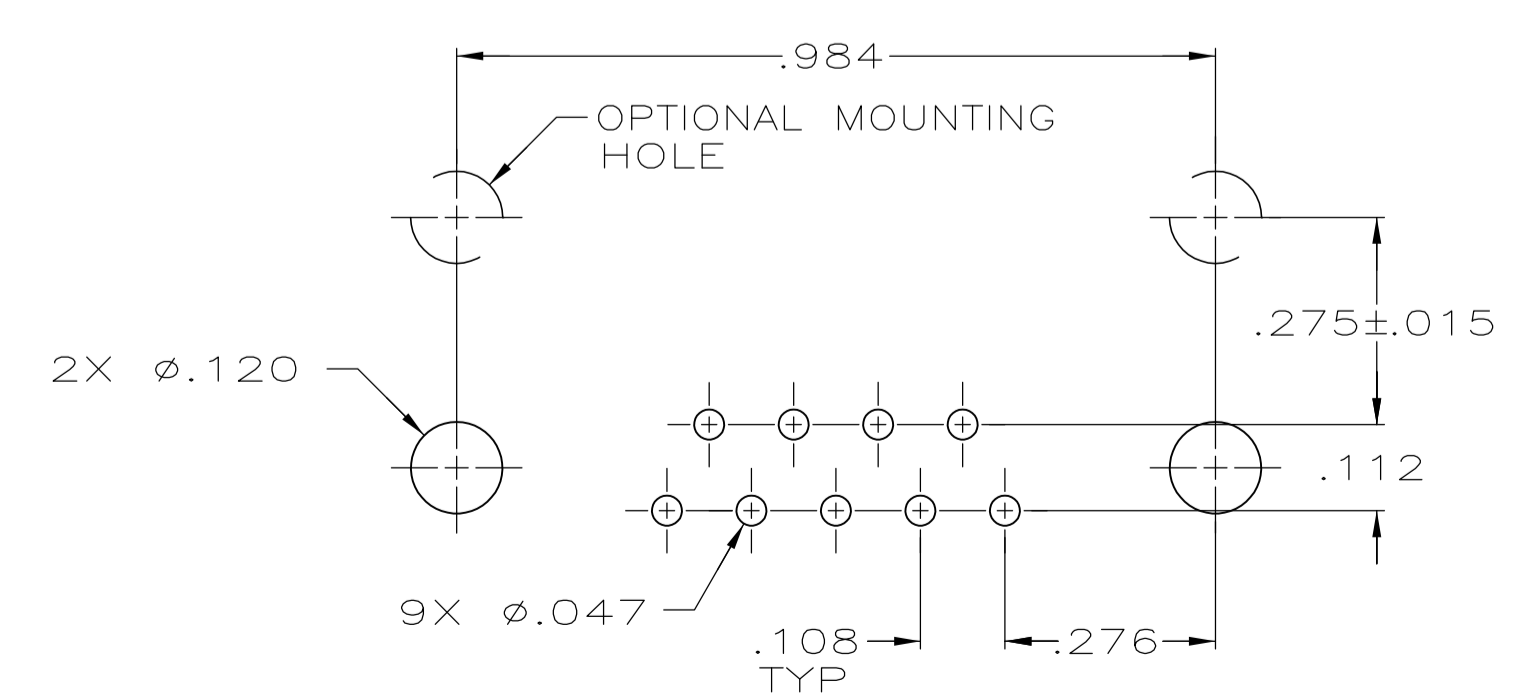
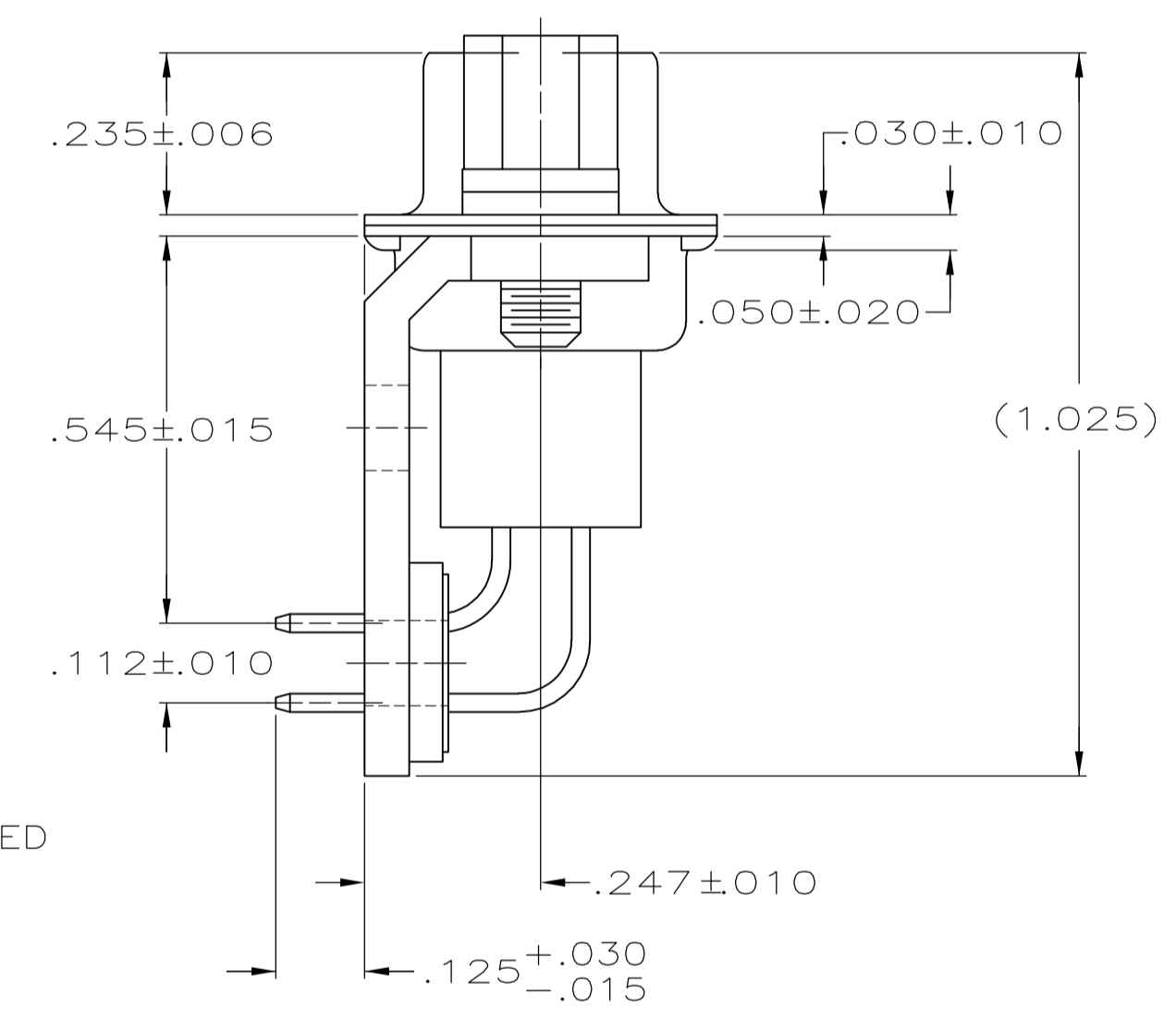
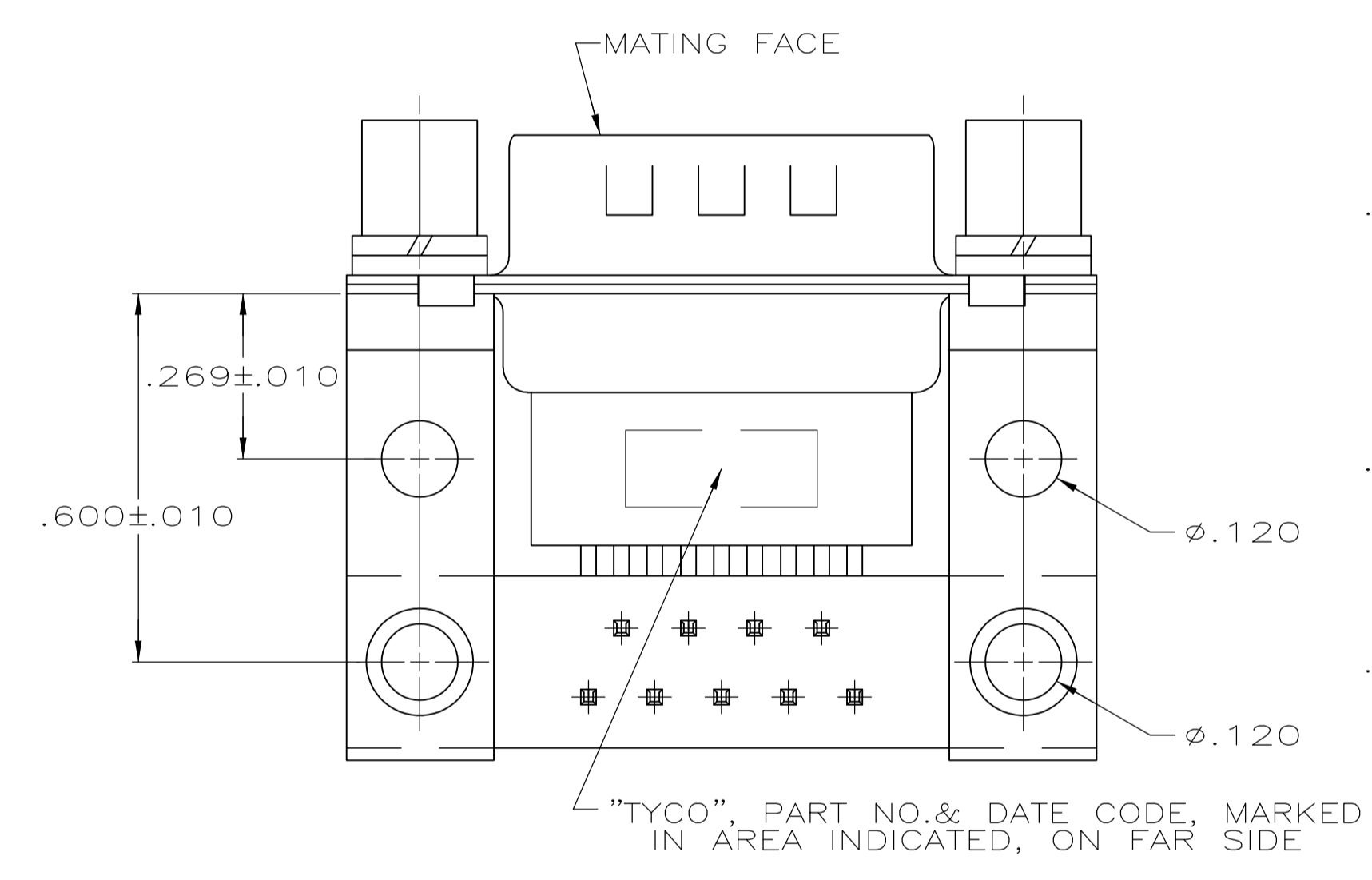
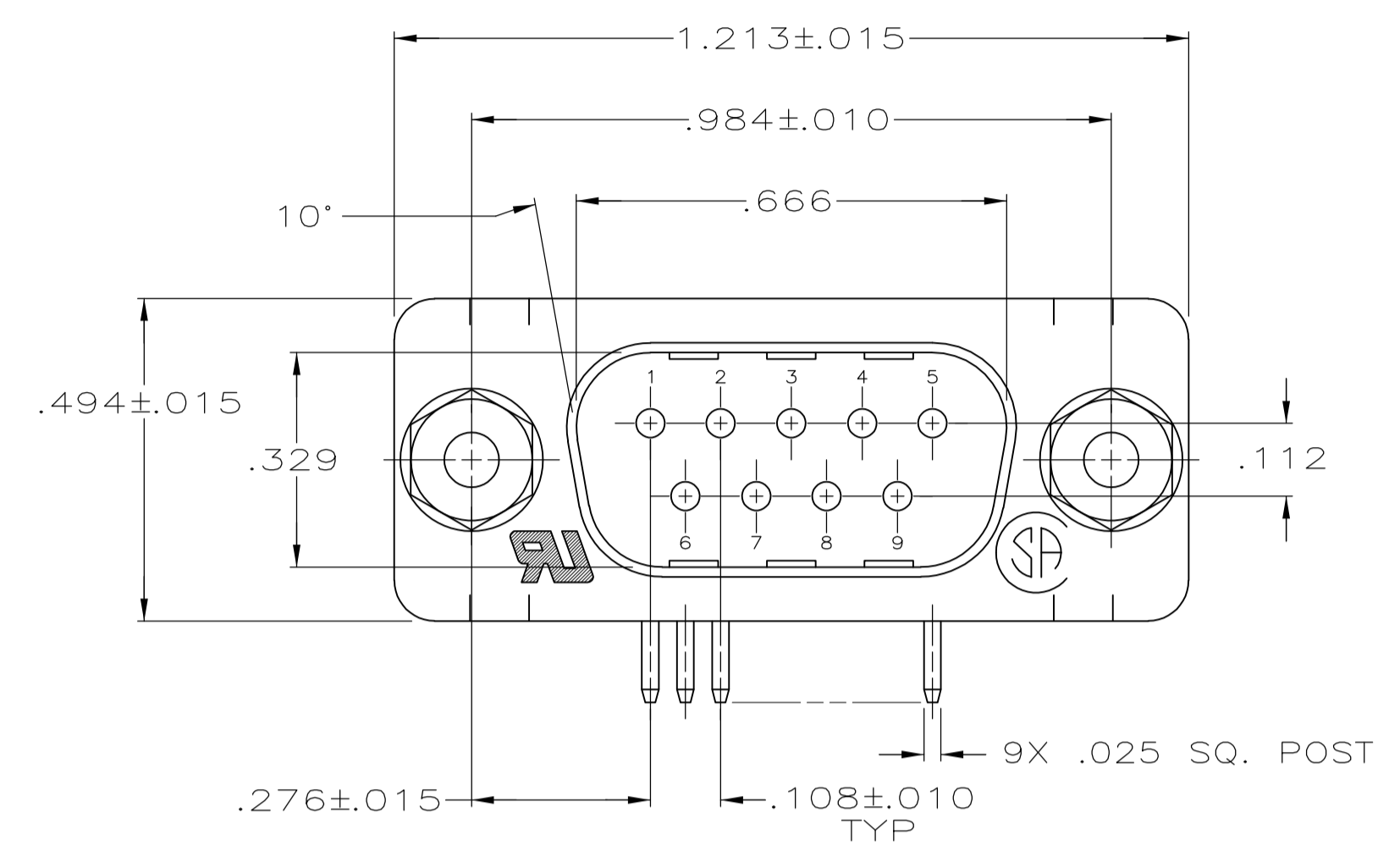


LOC	DIST	REVISIONS			
P	LTR	DESCRIPTION	DATE	DMN	APVD
B		REVISED PER ECO-14-011808	12AUG2014	AP	SB



P.C. BOARD MOUNTING DIMENSIONS

- ▲ MOLDED PARTS: GLASS-FILLED PBT OR GLASS-FILLED NYLON, UL94V-0 RATED. COLOR: BLACK.
- SHELLS & BRACKETS: CARBON STEEL.
- CONTACTS: BRASS
- SCREWLOCKS AND WASHERS: CARBON STEEL.
- ▲ SHELLS: .000200 MIN TIN OVER .000100 MIN COPPER.
- BRACKETS: .000200 MIN TIN OVER .000050 MIN COPPER.
- SCREWLOCKS AND WASHERS: ZINC PLATED WITH CLEAR CHROMATE COATING.
- CONTACTS: GOLD PLATED FOR A LENGTH OF .150 MIN FROM MATING END, .000030 MIN GOLD IN MATED AREA, .000100 MIN TIN ON OPPOSITE END, BOTH OVER .000050 MIN NICKEL.
- OR-
- GOLD FLASH OVER PALLADIUM NICKEL PLATED FOR A LENGTH OF .150 MIN FROM MATING END, .000030 MIN PALLADIUM NICKEL IN MATED AREA, .000100 MIN TIN ON OPPOSITE END, BOTH OVER .000050 MIN NICKEL.

5747197-4
PART NUMBER

THIS DRAWING IS A CONTROLLED DOCUMENT.		DIN D. HENNY 9-4-05	TE Connectivity
DIMENSIONS: INCHES		CHK S. BOLASH 9-4-05	
TOLERANCES UNLESS OTHERWISE SPECIFIED:		APVD M. WALMSLEY 9-4-05	NAME
0. PLC	± .005	PLUG ASSEMBLY, SIZE 1, 9 POSITION, RIGHT ANGLE, .545 SERIES, .025 SQ. POSTS, WITH SCREWLOCKS, AMPLIMITE HDP	
1. PLC	± .005	PRODUCT SPEC	
2. PLC	± .005	108-40025	
3. PLC	± .005	APPLICATION SPEC	
4. PLC	± .005	114-40013	
ANGLES	± .2°	SIZE	CAGE CODE DRAWING NO. RESTRICTED TO
MATERIAL	1	WEIGHT	A1 00779 C=5747197
FINISH	2	CUSTOMER DRAWING	SCALE 4:1 SHEET 1 OF 1 REV B