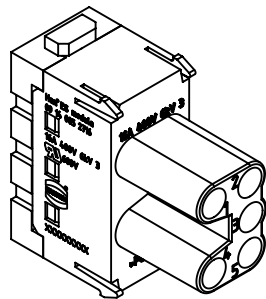
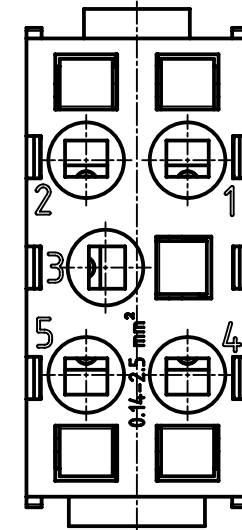
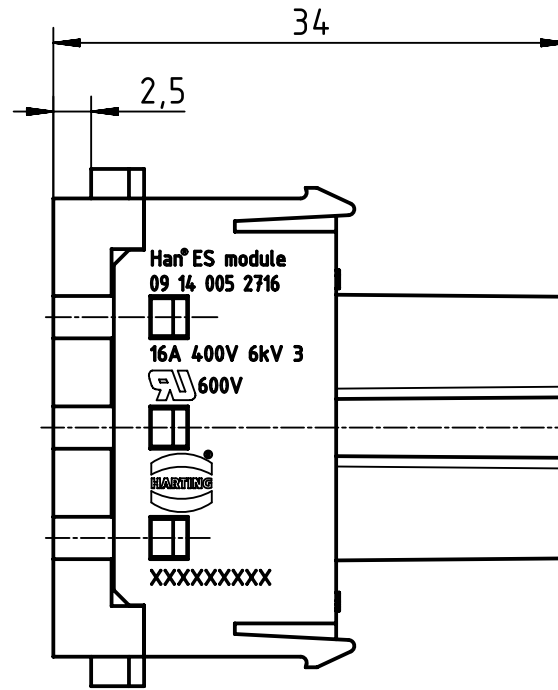
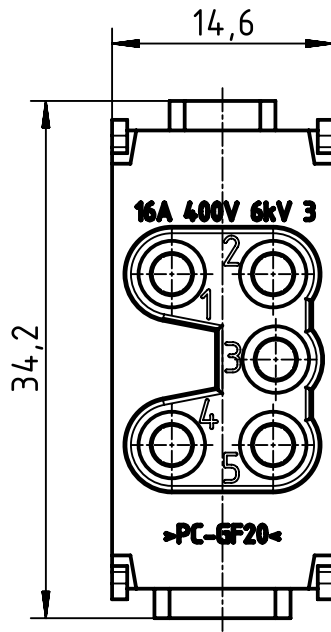


A

B

C

D



	All Dimensions in mm Original Size DIN A4	Scale	Free size tol.			Ref.
		2:1				Sub. 09 14 005 2716 v. 20.10.08
	All rights reserved Department EL PD - DE	Created by	Inspected by	Standardisation	Date	State
		RULLKOETTER	SCHNIEDER	TIEMANNA	2014-06-11	Final Release
HARTING Electric GmbH & Co. KG D-32339 Espelkamp		Title				Doc-Key / ECM-Nr. 100086537/UGD/010/B 500000074632
		Han ES module, cage clamp female				
		Type	Number		Rev.	Page
		TB	09 14 005 2716		B	1/1