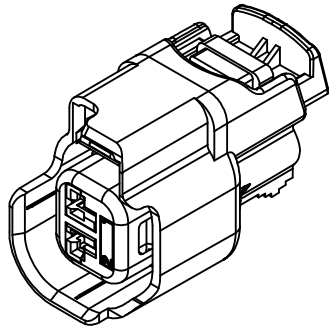
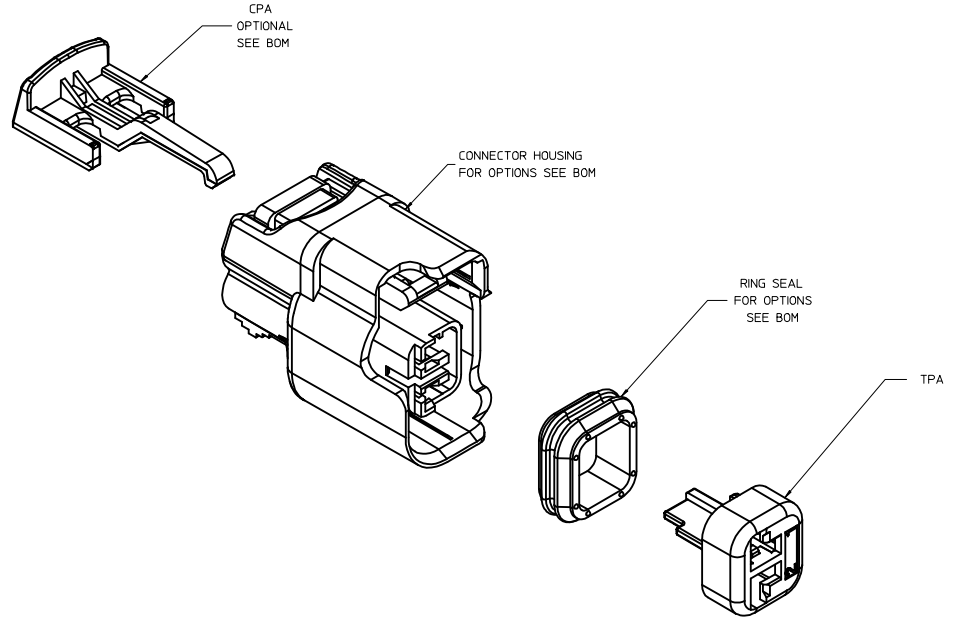


TABLE OF CONTENTS	
SHEET NO.	SHEET DESCRIPTION
1	NOTES
2, 3	CONFIGURATIONS
4	RECEPTACLE CONNECTOR ASSEMBLY
5	MOLEX INTERFACE

NOTES: VALID UNLESS OTHERWISE SPECIFIED

- GENERAL:
 - APPLICATION SPECIFICATION SEE: AS-34062-000
 -CONTAINS: PRODUCT INTRODUCTION, PRODUCT SUMMARY, CONNECTOR ASSEMBLY, PACKAGING INFORMATION, CONNECTOR MATING, SERVICE INSTRUCTIONS, ELECTRICAL CONTINUITY CHECKING, CRIMPING, AND TROUBLESHOOTING.
 -DESIGNED TO MATE WITH DEVICE CONNECTION AS SPECIFIED IN DRAWING EWCAP_150-S-002-1-Z01, AVAILABLE AT <http://ewcap.uscarteams.org/>.
 -DESIGNED TO MATE WITH BLADE SEALED ASSEMBLY AS SPECIFIED IN DRAWING: SD-34675-001
 -ASSEMBLY SHIPPED WITH TPA IN PRE-LOCK (SEE TPA PRE-LOCK VIEW IN SHEET 4)
 - PRODUCT SPECIFICATION SEE: PS-34062-000
 CONTAINS: SCOPE, PRODUCT DESCRIPTION, INTEGRAL COMPONENTS AND ACCESSORIES, APPLICABLE DOCUMENTS AND SPECIFICATIONS, RATINGS, PERFORMANCE, PACKAGING, GAUGE AND FIXTURES, AND OTHER INFORMATION.
 - PACKAGING SPECIFICATION PER MOLEX DRAWING: PK-30907-879
 - PARTS MUST BE IN COMPLIANCE TO MOLEX CHEMICAL SUBSTANCES FOR PRODUCTS AND PACKAGING SPECIFICATION: OEHS-699000-301
 - DATA MUST BE SUBMITTED UNDER THE MOLEX PART NUMBER TO IMDS (COMPANY ID#13255)
- DESIGN - MATERIALS:
 - SEE BOM TABLE IN SD-34062-004
- DESIGN - GEOMETRY:
 - THIS IS A 100% CAD GENERATED PART. THE CAD MATHEMATICAL DATA IS THE MASTER FOR THIS PART. FOR DIMENSIONAL OR ANY INFORMATION NOT SHOWN ON THIS DRAWING, ANALYZE THE CAD MODEL.
 - GEOMETRIC DIMENSIONS AND TOLERANCES PER ASME Y14.5M - 1994
 - EDGES AND UNDIMENSIONED DETAILS PER ISO13715
 - CORNERS SHOWN AS SHARP TO BE R 0.2 MAX.
 - LETTERING SHALL BE 0.15 MAX RAISED IN 0.25 MAX RECESS PAD. THIS INCLUDES RECYCLING CODE, CAVITY ID, VENDOR IDENTIFICATION, AND CUSTOMER MATERIAL NUMBER.
 - VISUAL DEFECTS SHALL MEET COSMETIC STANDARD PS-45499-002 (Class B)
 - LASER MARKING: TBD

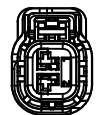
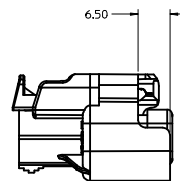


REV	DESCRIPTION
J18	ADDED DIM ICD 64

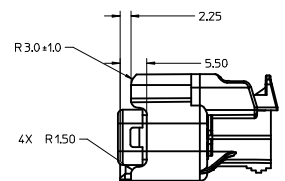
INSPECTION NUMBER LOG
 LAST NUMBER USED: ICD 64
 ADDED: ICD 64
 REMOVED: ICD 7, ICD 8, ICD 9,
 ICD 18, ICD 19, ICD 20, ICD 41, ICD 42

ENTER DESCRIPTION IEC NO: UAV2016-1241 DRAWN: GORUSZENSKI, 2016/02/19 CHKD: [blank] APPR: VIOSHY 2016/02/22 J18	QUALITY SYMBOLS ∇=0 ∇=0 ∇=0	GENERAL TOLERANCES (UNLESS SPECIFIED) <table border="1"> <tr> <th>PLACES</th> <th>mm</th> <th>INCH</th> </tr> <tr> <td>4 PLACES</td> <td>± 0.3</td> <td>± 0.012</td> </tr> <tr> <td>3 PLACES</td> <td>± 0.2</td> <td>± 0.008</td> </tr> <tr> <td>2 PLACES</td> <td>± 0.10</td> <td>± 0.004</td> </tr> <tr> <td>1 PLACE</td> <td>± 0.3</td> <td>± 0.012</td> </tr> <tr> <td>0 PLACE</td> <td>±</td> <td>±</td> </tr> </table>	PLACES	mm	INCH	4 PLACES	± 0.3	± 0.012	3 PLACES	± 0.2	± 0.008	2 PLACES	± 0.10	± 0.004	1 PLACE	± 0.3	± 0.012	0 PLACE	±	±	DIMENSION STYLE MM ONLY	SCALE 4:1	DESIGN UNITS METRIC	THIRD ANGLE PROJECTION	MATERIAL NO. SEE NOTE 2a.	DOCUMENT NO. SD-34062-002	SHEET NO. 1 OF 5
		PLACES	mm	INCH																							
4 PLACES	± 0.3	± 0.012																									
3 PLACES	± 0.2	± 0.008																									
2 PLACES	± 0.10	± 0.004																									
1 PLACE	± 0.3	± 0.012																									
0 PLACE	±	±																									
DRAFT WHERE APPLICABLE MUST REMAIN WITHIN DIMENSIONS ANGLE ± 3°						THIS DRAWING CONTAINS INFORMATION THAT IS PROPRIETARY TO MOLEX INCORPORATED AND SHOULD NOT BE USED WITHOUT WRITTEN PERMISSION																					

SHEET DESCRIPTION
CONFIGURATIONS

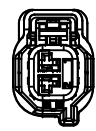
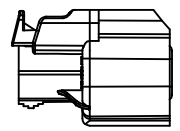


OPTION A

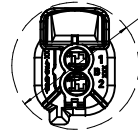
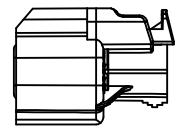


REAR VIEW

Ø23.40
MINIMUM PASS-THRU WITH
NO CLEARANCE
APPLIES TO NON CLIP-SLOT
OPTIONS A, C, D, & G

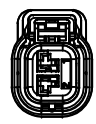
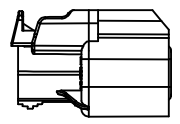


OPTION B

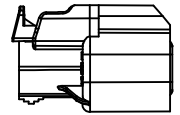
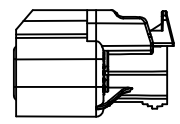


REAR VIEW

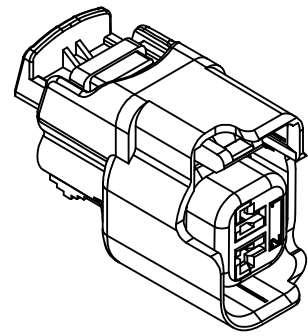
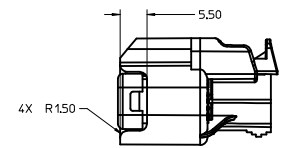
Ø26.00
MINIMUM PASS-THRU WITH
NO CLEARANCE
APPLIES TO NON CLIP-SLOT
OPTIONS B, E, & F



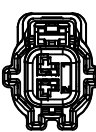
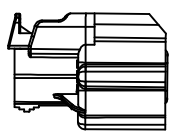
OPTION C



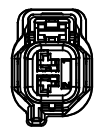
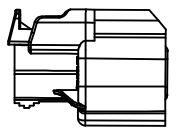
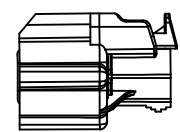
OPTION D



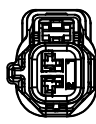
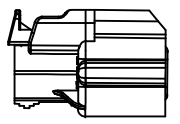
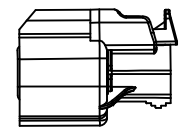
NON CLIP-SLOT OPTION
SCALE 4:1



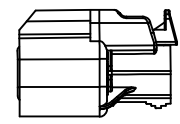
OPTION E



OPTION F

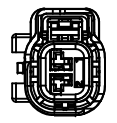
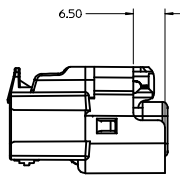


OPTION G

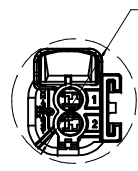
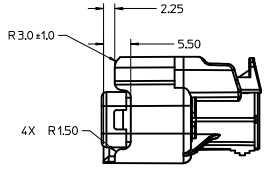


ENTER DESCRIPTION IEC NO. UAU2016-1241 DRAWN BY: BURUSZENSKI, 2016/02/19 CHKD: WOSHY APPR: WOSHY 2016/02/22	QUALITY SYMBOLS ∇=0 ∇=0 ∇=0	GENERAL TOLERANCES (UNLESS SPECIFIED) mm INCH 4 PLACES ± --- ± --- 3 PLACES ± 0.10 ± --- 2 PLACES ± 0.3 ± --- 1 PLACE ± ± --- 0 PLACE ± ±	DIMENSION STYLE MM ONLY	SCALE 2:1	DESIGN UNITS METRIC	THIRD ANGLE PROJECTION
	DRAWN BY: KCUNNINGHAM CHECKED BY: MYANSLAMBROU APPROVED BY:	DATE: 2011/11/08 DATE: 1/26/2012 DATE:	MATERIAL NO. SEE NOTE 2a.	TITLE MX150 2 WAY CABLE SEAL RECEPTACLE CONN. SYSTEM (5.0MM PITCH)	DOCUMENT NO. SD-34062-002	SHEET NO. 2 OF 5

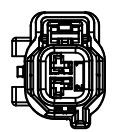
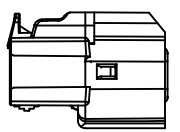
SHEET DESCRIPTION
CONFIGURATIONS



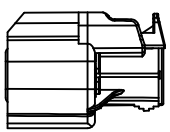
OPTION A W/CLIP-SLOT *



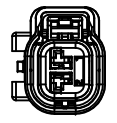
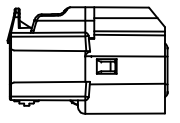
Ø 25.50
MINIMUM PASS-THRU WITH NO CLEARANCE APPLIES TO CLIP-SLOT OPTIONS A, C AND D



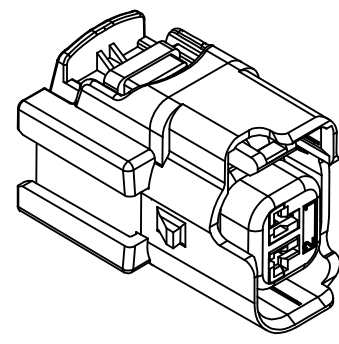
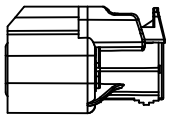
OPTION B W/CLIP-SLOT *



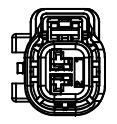
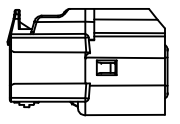
Ø 26.00
MINIMUM PASS-THRU WITH NO CLEARANCE APPLIES TO CLIP-SLOT OPTION B



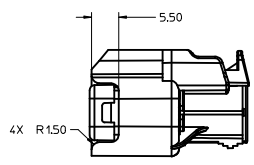
OPTION C W/CLIP-SLOT *



CLIP-SLOT OPTION
SCALE 4:1



OPTION D W/CLIP-SLOT *



*WITH CLIP-SLOT CONFIGURATIONS
DO NOT MEET THE USCAR PACKAGING FRAME REQUIREMENTS

ENTER DESCRIPTION LEC NO: UAU2016-1241 DRAWN: BURSZESKI, 2016/02/19 CHKD: APPR: IKOSHY 2016/02/22 J18	QUALITY SYMBOLS ∇=0 ∇=0 ∇=0	GENERAL TOLERANCES (UNLESS SPECIFIED) <table border="1"> <tr> <th></th> <th>mm</th> <th>INCH</th> </tr> <tr> <td>4 PLACES</td> <td>± .10</td> <td>± .004</td> </tr> <tr> <td>3 PLACES</td> <td>± .15</td> <td>± .005</td> </tr> <tr> <td>2 PLACES</td> <td>± 0.10</td> <td>± .004</td> </tr> <tr> <td>1 PLACE</td> <td>± 0.3</td> <td>± .012</td> </tr> <tr> <td>0 PLACE</td> <td>±</td> <td>±</td> </tr> </table>		mm	INCH	4 PLACES	± .10	± .004	3 PLACES	± .15	± .005	2 PLACES	± 0.10	± .004	1 PLACE	± 0.3	± .012	0 PLACE	±	±	DIMENSION STYLE MM ONLY DRAWN BY: KCUNNINGHAM DATE: 2011/11/08 CHECKED BY: MVANSLAMBROU DATE: 1/26/2012 APPROVED BY:	SCALE 2:1 DESIGN UNITS METRIC THIRD ANGLE PROJECTION	TITLE MX150 2 WAY CABLE SEAL RECEPTACLE CONN. SYSTEM (5.0MM PITCH) molex	MATERIAL NO. SEE NOTE 2a.	DOCUMENT NO. SD-34062-002	SHEET NO. 3 OF 5
		mm	INCH																							
	4 PLACES	± .10	± .004																							
	3 PLACES	± .15	± .005																							
2 PLACES	± 0.10	± .004																								
1 PLACE	± 0.3	± .012																								
0 PLACE	±	±																								
DRAFT WHERE APPLICABLE MUST REMAIN WITHIN DIMENSIONS		SIZE D		THIS DRAWING CONTAINS INFORMATION THAT IS PROPRIETARY TO MOLEX INCORPORATED AND SHOULD NOT BE USED WITHOUT WRITTEN PERMISSION																						

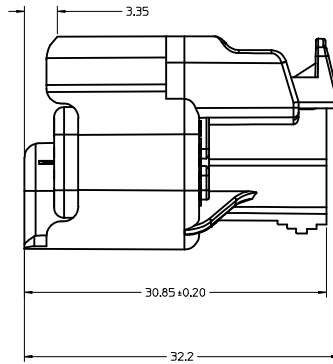
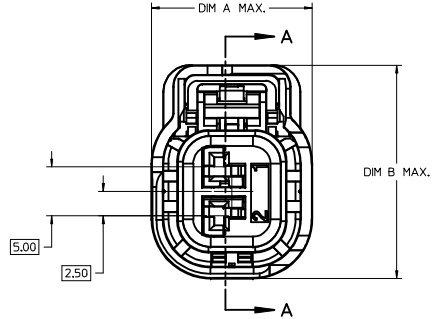
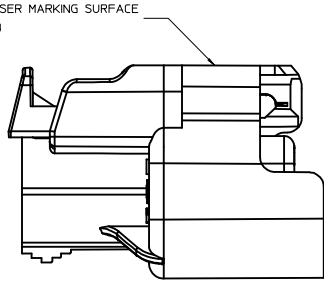
SHEET DESCRIPTION

RECEPTACLE CONNECTOR ASSEMBLY

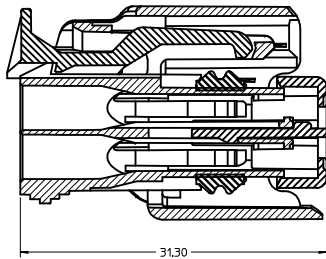
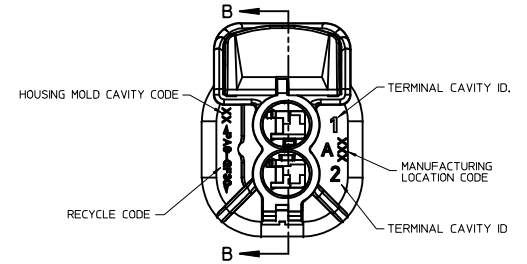
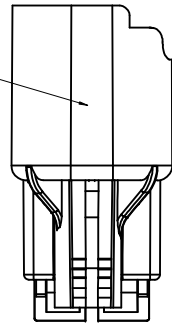
CHARTED DIMENSIONS

CONFIGURATIONS	DIMENSIONS	
	A	B
OPTIONS A, C, D	16.6	22.0
OPTION B	16.6	23.9
OPTION E	20.2	23.9
OPTION F	16.6	23.9
OPTION G	18.4	22.0
OPTIONS A, C, D W/CLIP-SLOT	19.2	22.0
OPTION B W/CLIP-SLOT	19.2	23.9

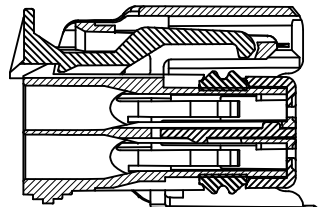
OPTIONAL LASER MARKING SURFACE
SEE NOTE 3g



OPTIONAL LASER MARKING SURFACE
SEE NOTE 3g

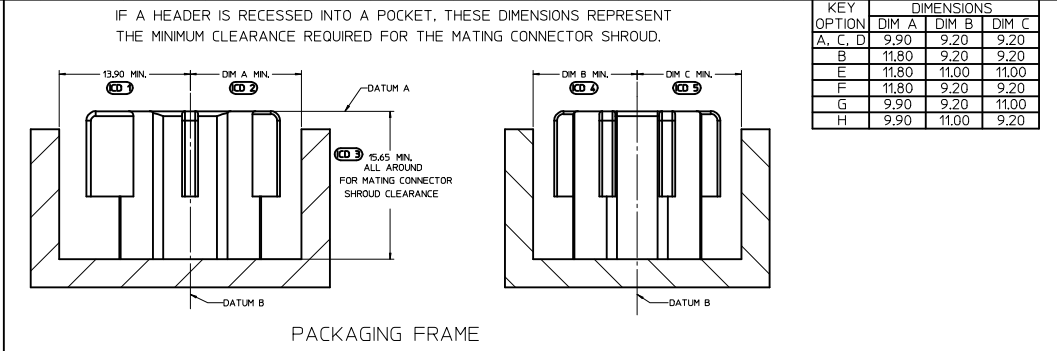
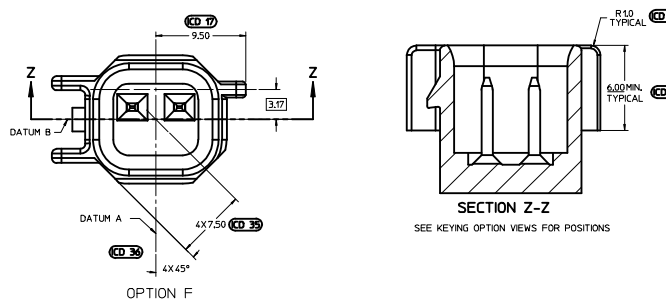
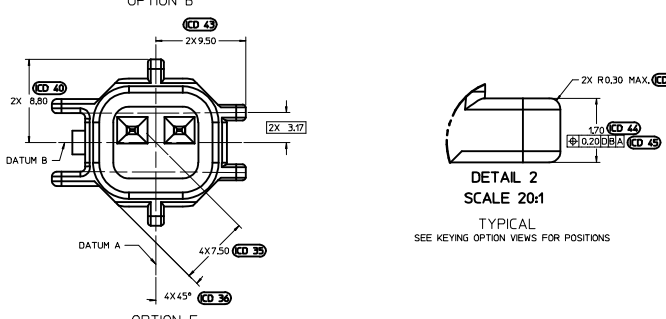
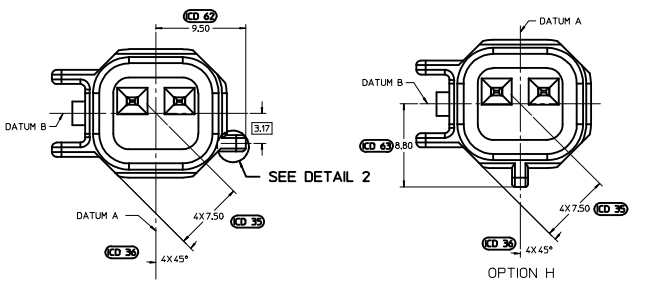
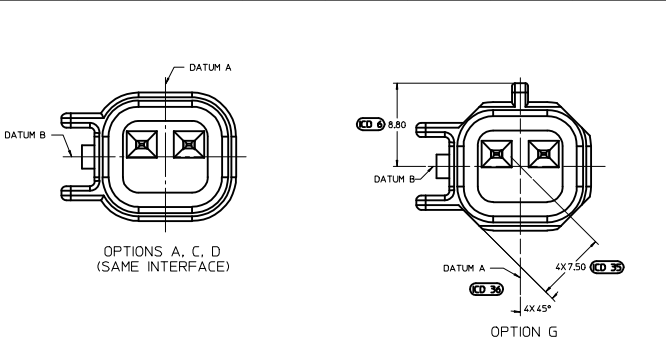


TPA SHOWN IN THE
PRE-STAGED POSITION
SECTION A-A

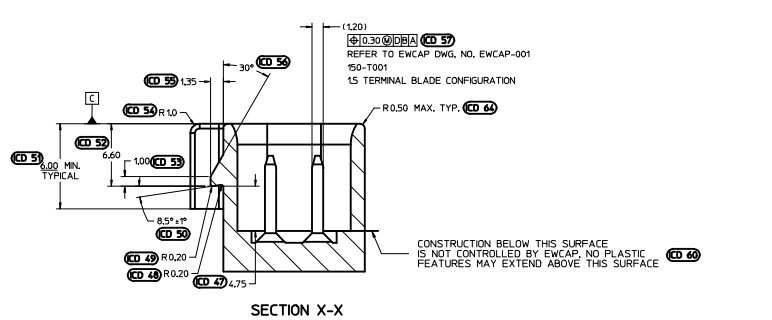
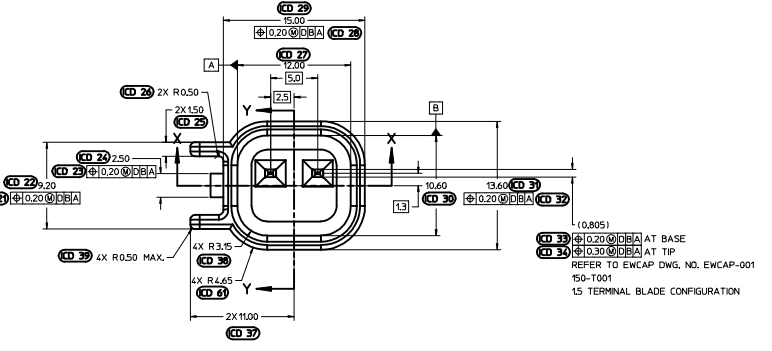
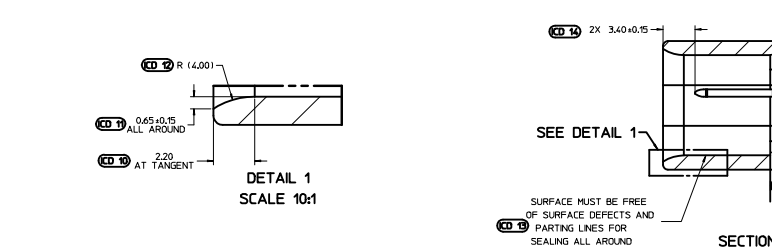
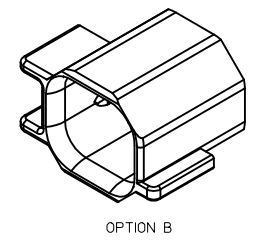


SECTION B-B
TPA SHOWN IN
FINAL-LOCK POSITION

ENTER DESCRIPTION IEC NO. UAU2016-1241 DRAWN/BORUSZENSKI, 2016/02/19 CHKD: APPR: WKOSHY J18	QUALITY SYMBOLS ∇=0 ∇=0 ∇=0	GENERAL TOLERANCES (UNLESS SPECIFIED)		DIMENSION STYLE MM ONLY		SCALE 4:1	DESIGN UNITS METRIC	THIRD ANGLE PROJECTION	
			mm	INCH	DRAWN BY KCUNNINGHAM	DATE 2011/11/08	TITLE MX150 2 WAY CABLE SEAL RECEPTACLE CONN. SYSTEM (5.0MM PITCH)		
		4 PLACES	±	---	CHECKED BY MYANSLAMBROU	DATE 1/26/2012	DOCUMENT NO. SD-34062-002		
		3 PLACES	±	---	APPROVED BY	DATE	SHEET NO. 4 OF 5		
			2 PLACES	±	0.10	MATERIAL NO. SEE NOTE 2a.			
			1 PLACE	±	0.3	SIZE D			
			0 PLACE	±		THIS DRAWING CONTAINS INFORMATION THAT IS PROPRIETARY TO MOLEX INCORPORATED AND SHOULD NOT BE USED WITHOUT WRITTEN PERMISSION			



KEY OPTION	DIMENSIONS		
	DIM A	DIM B	DIM C
A, C, D	9.90	9.20	9.20
B	11.80	9.20	9.20
E	11.80	11.00	11.00
F	11.80	9.20	9.20
G	9.90	9.20	11.00
H	9.90	11.00	9.20



NOTES: UNLESS OTHERWISE SPECIFIED

- ALL DIMENSIONS SHOWN IN MILLIMETERS.
- DIMENSIONING AND TOLERANCING PER ASME Y14.5M-1994
- 0.25 RADI ON ALL CORNERS SHOWN SHARP.
- UNSPECIFIED RADI: 0.25 EXCEPT AS NOTED.
- STANDARD COLORS FOR POLARIZATION (SEE CHART). DEVIATION REQUIRES APPROVAL OF AUTHORIZED PERSON.
- REFER TO SAE/USCAR 12 CONNECTOR GUIDELINES FOR ADDITIONAL REQUIREMENTS.
- EXCEPT WHERE NOTED, DRAFT ON OUTSIDE SURFACES IS PERMISSIBLE WITHIN TOLERANCE.
- [Symbol] SYMBOL INDICATES DRAFT DIRECTION.
- FOR TERMINAL MATERIAL, DIMENSIONAL, AND COATING REQUIREMENTS AND ANY BLADE TERMINAL DESIGN INFORMATION NOT SHOWN ON THIS DRAWING SEE EWCAP DWG. NO. EWCAP-001
- A FULL SHROUD ON THE MATING CONNECTOR IS REQUIRED TO ENSURE THAT THE CONNECTOR-HEADER POLARIZATION FEATURES (OPTIONS A THRU H) WILL FUNCTION. THE FULL SHROUD ALSO PREVENTS SCOOP DAMAGE TO THE HEADER PINS. REFER TO SAE/USCAR-12 CONNECTOR DESIGN GUIDE LINES FOR ADDITIONAL INFORMATION.
- REFER TO USCAR/EWCAP PART LIST AS FOUND ON WEBSITE <http://www.uscarteoms.org>
- THIS IS A 100% CAD GENERATED PART. THE CAT MATHEMATICAL DATA IS THE MASTER FOR THIS PART. FOR DIMENSIONAL OR ANY INFORMATION NOT SHOWN ON THIS DRAWING, ANALYZE THE CAD MODEL.

OPTION	COLOR	SIMILAR TO AFL DRAWING R63461 (OPTION GEOMETRY IDENTICAL)	COMMENTS
A, C, D	BLACK	A	
B	LIGHT GRAY	B	
E	BLACK	E	NOT RECOMMENDED MATING CONNECTOR IS UNIVERSAL.
F	LIGHT GRAY	D	
G	BLACK	C	
H	LIGHT GRAY	F	

QUALITY SYMBOLS	GENERAL TOLERANCES (UNLESS SPECIFIED)		DIMENSION STYLE		SCALE	DESIGN UNITS	THIRD ANGLE PROJECTION
	mm	INCH	MM ONLY	DATE	5:1	METRIC	
▽=0	4 PLACES ±---	±---	DRAWN BY	2011/11/08			
▽=0.05	3 PLACES ±---	±---	CHECKED BY	DATE			
▽=0.1	2 PLACES ±0.10	±---	APPROVED BY	DATE			
▽=0.2	1 PLACE ±0.3	±---					
▽=0.5	0 PLACE ±	±---					
DRAFT WHERE APPLICABLE MUST REMAIN WITHIN DIMENSIONS		MATERIAL NO. N/A		DOCUMENT NO. SD-34062-002		SHEET NO. 5 OF 5	