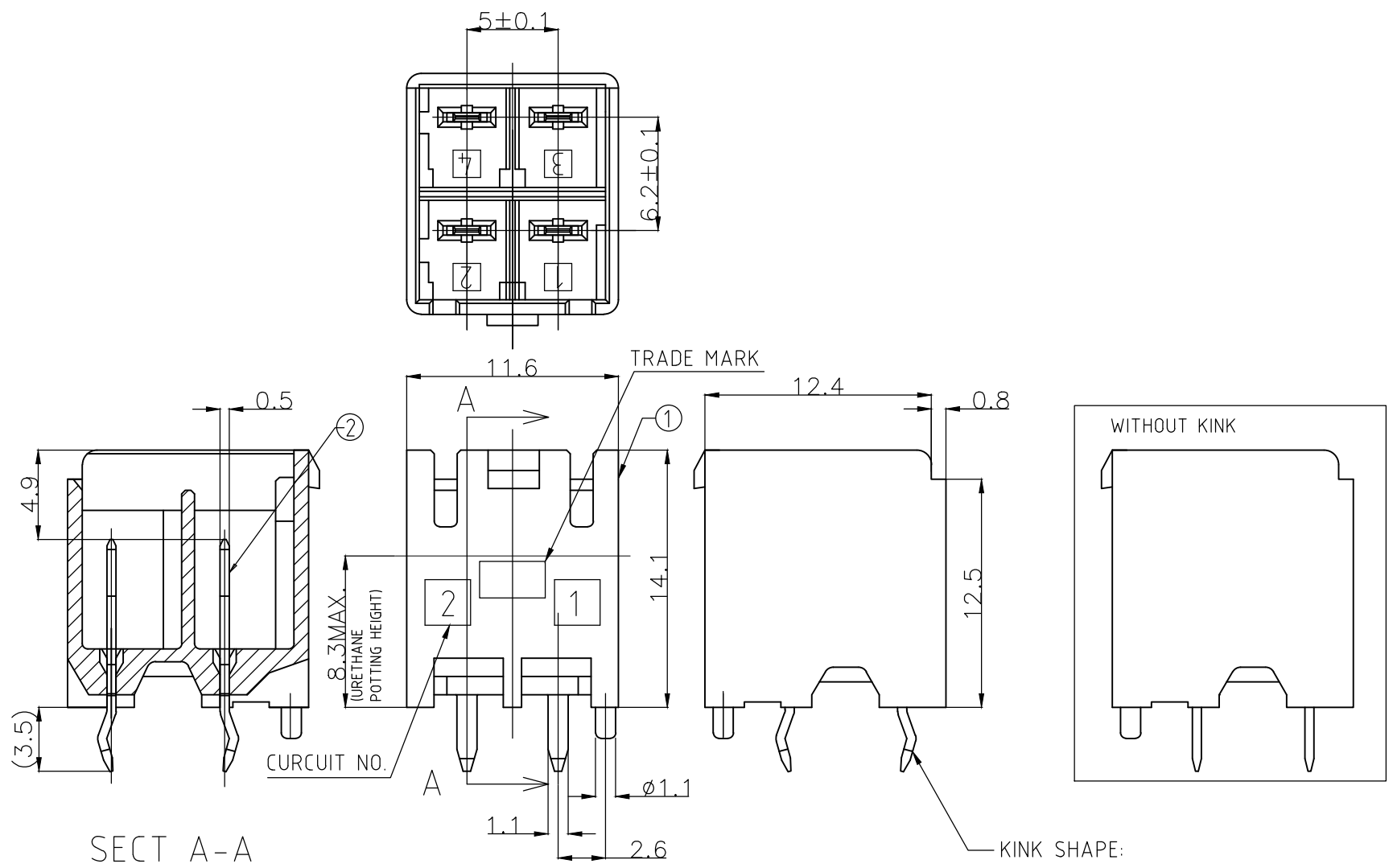
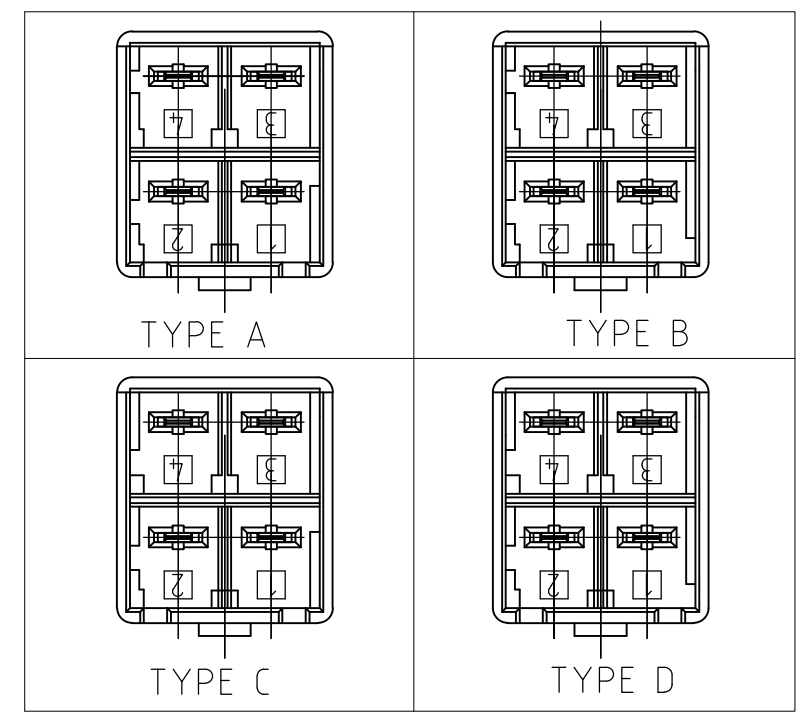


THIS DRAWING IS UNPUBLISHED. RELEASED FOR PUBLICATION
 © COPYRIGHT - By - ALL RIGHTS RESERVED.

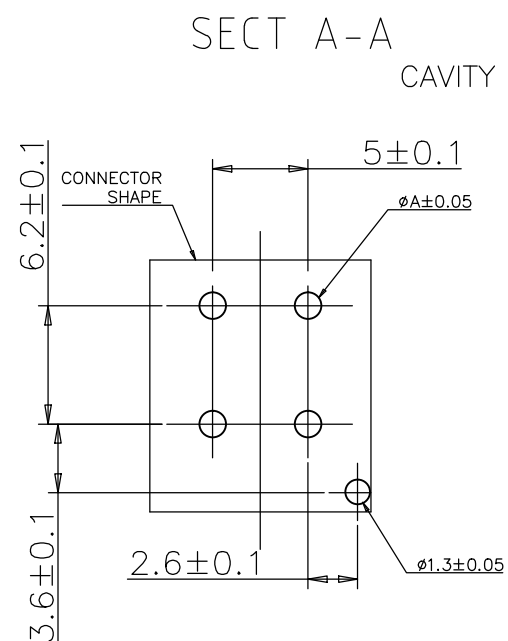
REVISIONS					
P	LTR	DESCRIPTION	DATE	DWN	APVD
	E2	REVISED PER ECR-16-007444	31MAY2016	NK	SC



THE TYPE OF KEYING



NO.	NAME	MATERIAL
②	HEADER HOISING	6/6 NYLON GRASS FILLED
①	TAB	COPPER ALLOY TIN PLATED



△5	P/N	WITHOUT KINK	TYPE OF KEYING	Color	Pos	PART NO.
△5	1376392-1	WITHOUT KINK	TYPE A	NATURAL	4Pos	5-1376386-1
△5	3-1376392-4	WITH KINK	TYPE D	YELLOW	4Pos	3-1376386-4
△5	2-1376392-3	WITH KINK	TYPE C	BLUE	4Pos	2-1376386-3
△5	1-1376392-2	WITH KINK	TYPE B	RED	4Pos	1-1376386-2
△5	1376392-1	WITH KINK	TYPE A	NATURAL	4Pos	1376386-1

PROCESS	SIZE
PUNCHING	1.25
DRILLING	1.4
	A寸法

- △1 RECOMMENDED P.C.B LAY OUT.
- 2 APPLICABLE P.C.B. THICKNESS:1.6.
- △3 MATING CONN. P/N PLUG HOUSING :SEE TABLE.
- 4 PARTS MEET IEC 60335-1 (GWT GLOW WIRE TEST 750 DEGREE SPEC).
- △5 NYLON 66, GWT, V-0.

THIS DRAWING IS A CONTROLLED DOCUMENT.

DWN	A.OISHI	04APR2003
CHK	Y.KASHIWA	28AUG'00
APVD	Y.KASHIWA	28AUG'00
PRODUCT SPEC	108-5699	
APPLICATION SPEC	114-5292	
WEIGHT	A3 00779 C-1376386	

STE TE Connectivity

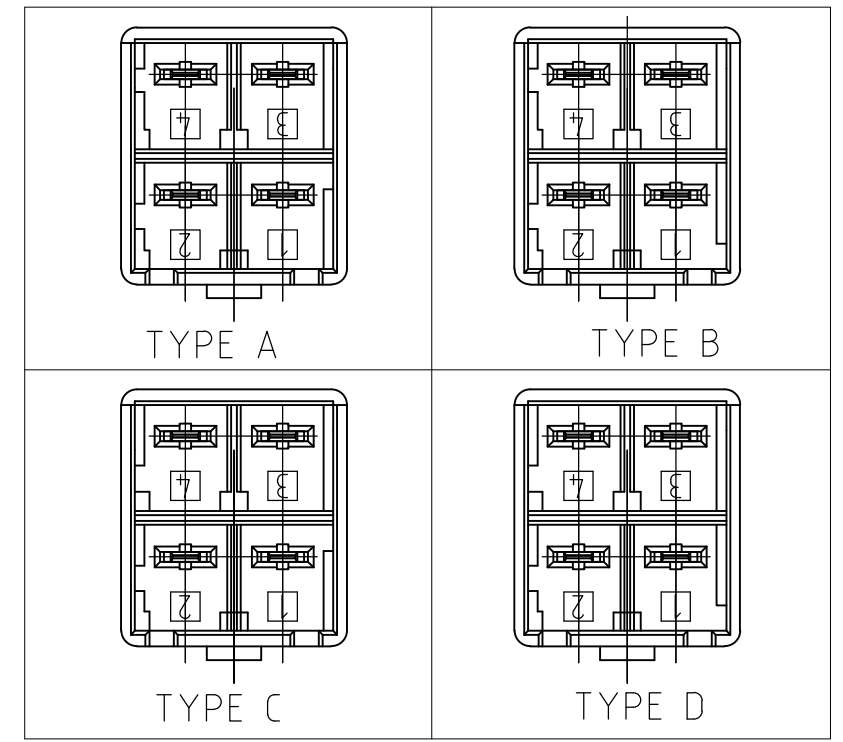
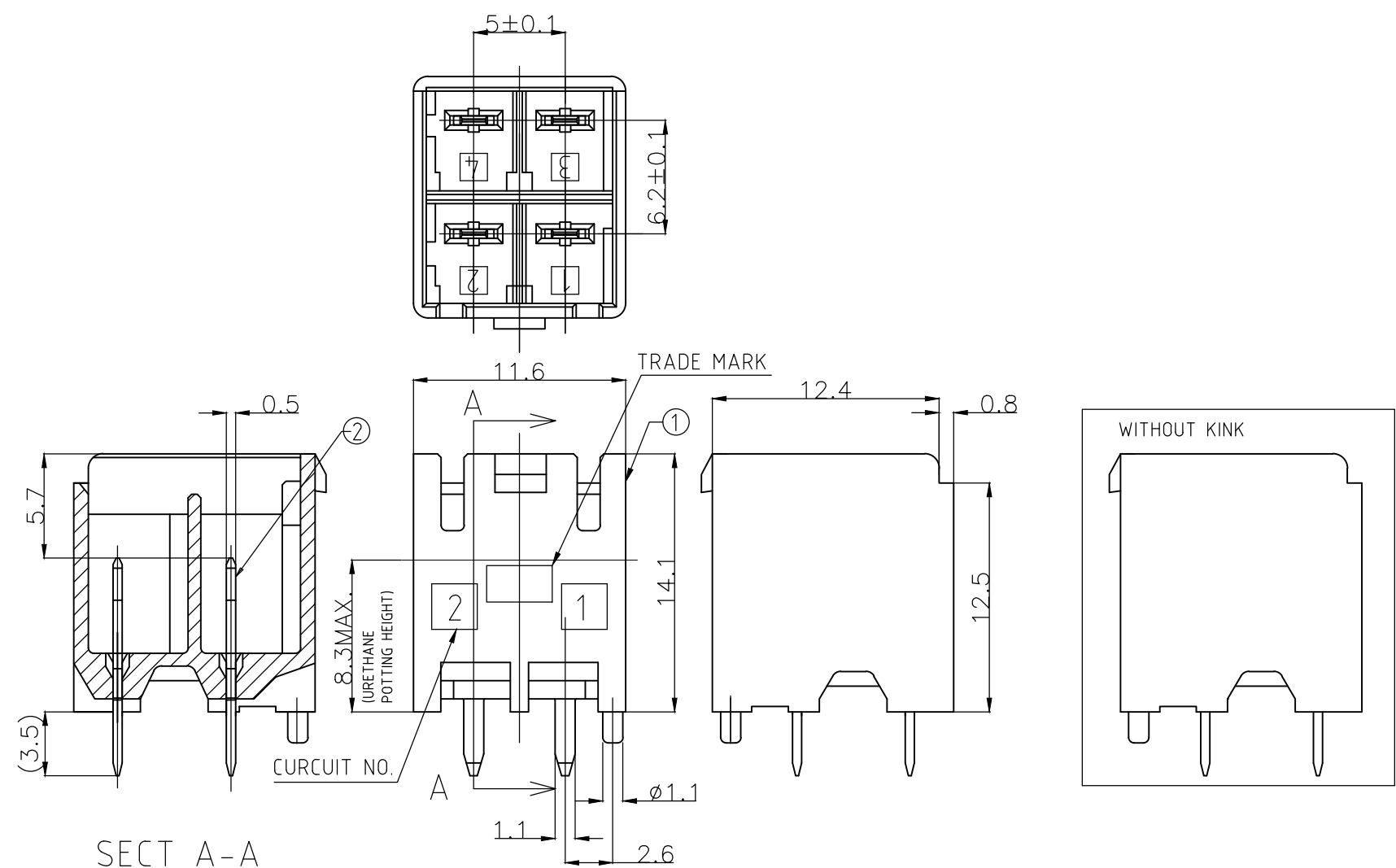
5.0 POWER KEY CONNECTOR
4P HEADER ASSEMBLY (2ROW)

SIZE	CAGE CODE	DRAWING NO	RESTRICTED TO
A3	00779	C-1376386	-

CUSTOMER DRAWING SCALE 3:1 SHEET 1 OF 2 REV E2

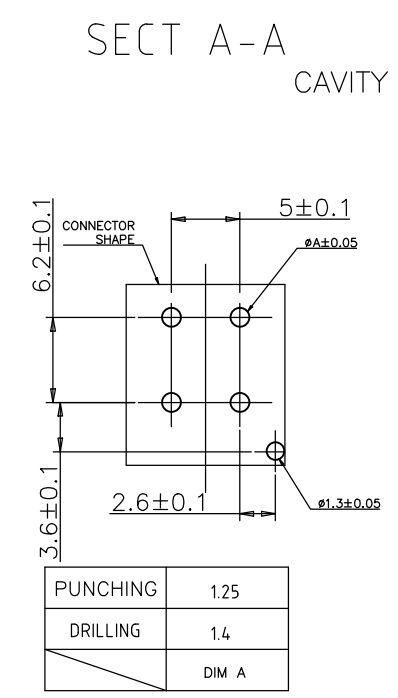
THIS DRAWING IS UNPUBLISHED. RELEASED FOR PUBLICATION
 © COPYRIGHT - By - ALL RIGHTS RESERVED.

REVISIONS					
P	LTR	DESCRIPTION	DATE	DWN	APVD
-	-	SEE SHEET 1	-	-	-



NO.	NAME	MATERIAL
②	HEADER HOISING	6/6 NYLON
①	TAB	COPPER ALLOY TIN PLATED

MATING CONN. P/N	TYPE OF KEYING	Color	Pos	PART NO.
3-1376392-5	TYPE D	YELLOW	4Pos	3-1376386-5
2-1376392-4	TYPE C	BLUE	4Pos	2-1376386-4
1-1376392-3	TYPE B	RED	4Pos	1-1376386-3
1376392-2	TYPE A	NATURAL	4Pos	1376386-2



- ① RECOMMENDED P.C.B LAY OUT
- ② APPLICABLE P.C.B. THICKNESS:1.6
- ③ MATING CONN. P/N
PLUG HOUSING :SEE TABLE

THIS DRAWING IS A CONTROLLED DOCUMENT.	
DIMENSIONS: MM	TOLERANCES UNLESS OTHERWISE SPECIFIED:
	0 PLC ± 0.2
	1 PLC ±
	2 PLC ±
	3 PLC ±
	4 PLC ±
	ANGLES ± 1°
MATERIAL SEE TABLE	FINISH SEE TABLE

DWN A.OISHI 04APR2003	NAME STE TE Connectivity	
CHK Y.KASHIWA 28AUG'00		
APVD Y.KASHIWA 28AUG'00		
PRODUCT SPEC 108-78863		
APPLICATION SPEC 114-5292	SIZE A3	
WEIGHT -	CAGE CODE 00779	
CUSTOMER DRAWING		DRAWING NO C-1376386
		RESTRICTED TO -

SCALE 3:1		SHEET 2 OF 2		REV E2
--------------	--	-----------------	--	-----------