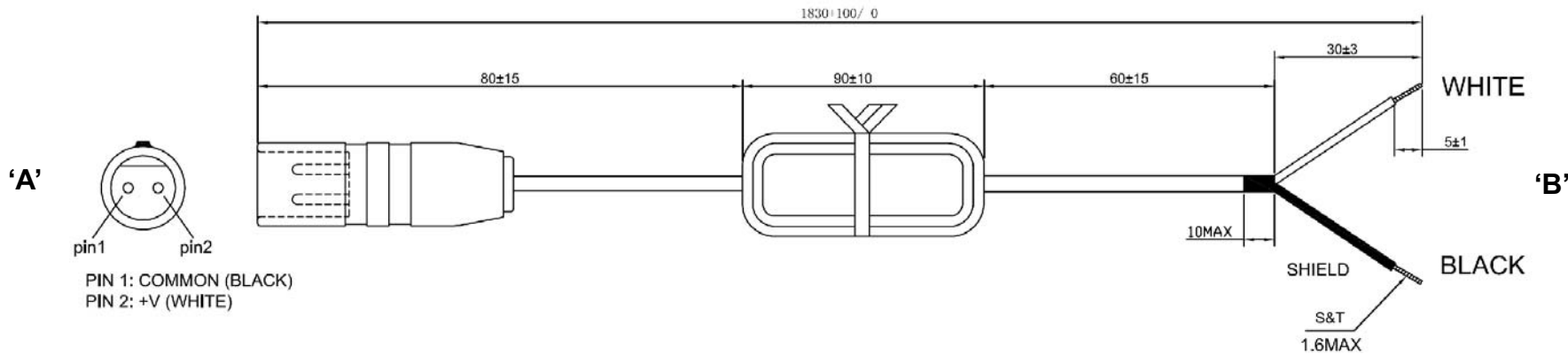


PROPRIETARY INFORMATION:
 PROPRIETARY OF GLOBTEK, INC. ANY REPRODUCTION, DISCLOSURE OR USE OF THIS DRAWING, IN WHOLE OR IN PART, IS HEREBY PROHIBITED EXCEPT AS SPECIFIED IN WRITING BY GLOBTEK, INC.

REVISION			
REV	DESCRIPTION	DATE	APPROVED
A	INITIAL RELEASE, RFS. 25446, DMR	03/24/14	HM
B	CHANGE TEMPERATURE FROM 85°C TO 80°C, RFS. 25624, DH	09/02/14	HM



GENERAL SPECIFICATIONS:

CABLE TYPE / SIZE: 1C+SHIELD, 20 AWG, FEP, PTFE, PVC, TFE, NEOPENE, POLYIMIDE OR MARKED VW-1, 80°C,300V
 TEMPERATURE RATING: 80°C MIN.
 CABLE COLOR: BLACK / WHITE
 CABLE JACKET COLOR: BLACK, VERY SOFT
 OVERALL LENGTH : 1830 +100, -0 mm
 END 'A' TERMINATION: IP68 WATERTIGHT CONNECTOR, GLOBTEK KF2 PLUG, KCC SK2/2 MALE, OR EQUIVALENT
 END 'B' TERMINATION: SEE DRAWING ABOVE

RELEASED
 By N.Frost at 1:21 pm, Sep 03, 2014

DASH NO.	PART NO	REV.	DESCRIPTION	NOTES
TABULATION BLOCK				
		TOLERANCES: DECIMALS ANGULAR .xx +/- 0.1 +/- 1° .xxx +/- .005		GlobTek, Inc. www.globtek.com 186 Veterans Dr. Northvale, NJ 07647 Tel. 201-784-1000 Fax 201.784.0111
		MILLIMETERS ANGULAR .xx +/- 0.3 +/- 1° .xxx +/- .013		
INIT.BY: DMR		DATE: 03/24/14	DWG TITLE: CABLE ASSEMBLY WITH 2-PIN CONNECTOR	
DRAWN: NF		DATE: 03/24/14	FSCN No.: G, CC	SIZE A
APRVD: HM		DATE: 03/24/14	SCALE: NONE	MODEL: B
			PART NO: KM2PUJ1M8A00(R)	SHEET 1/1

Foot Note:
 Globtek Inc. will not be liable for the safety and performance of these power product if unauthorized access and repair occurs. End user should consult the applicable UL, CSA or EN Standards for proper installation instruction.

Limitation of Use:
 Globtek product are not authorized for use as mission critical components in life support, hazardous environment, nuclear or aircraft applications without prior written approval from the CEO of Globtek Inc.

Contents of this document are subject to change without prior notice