

4

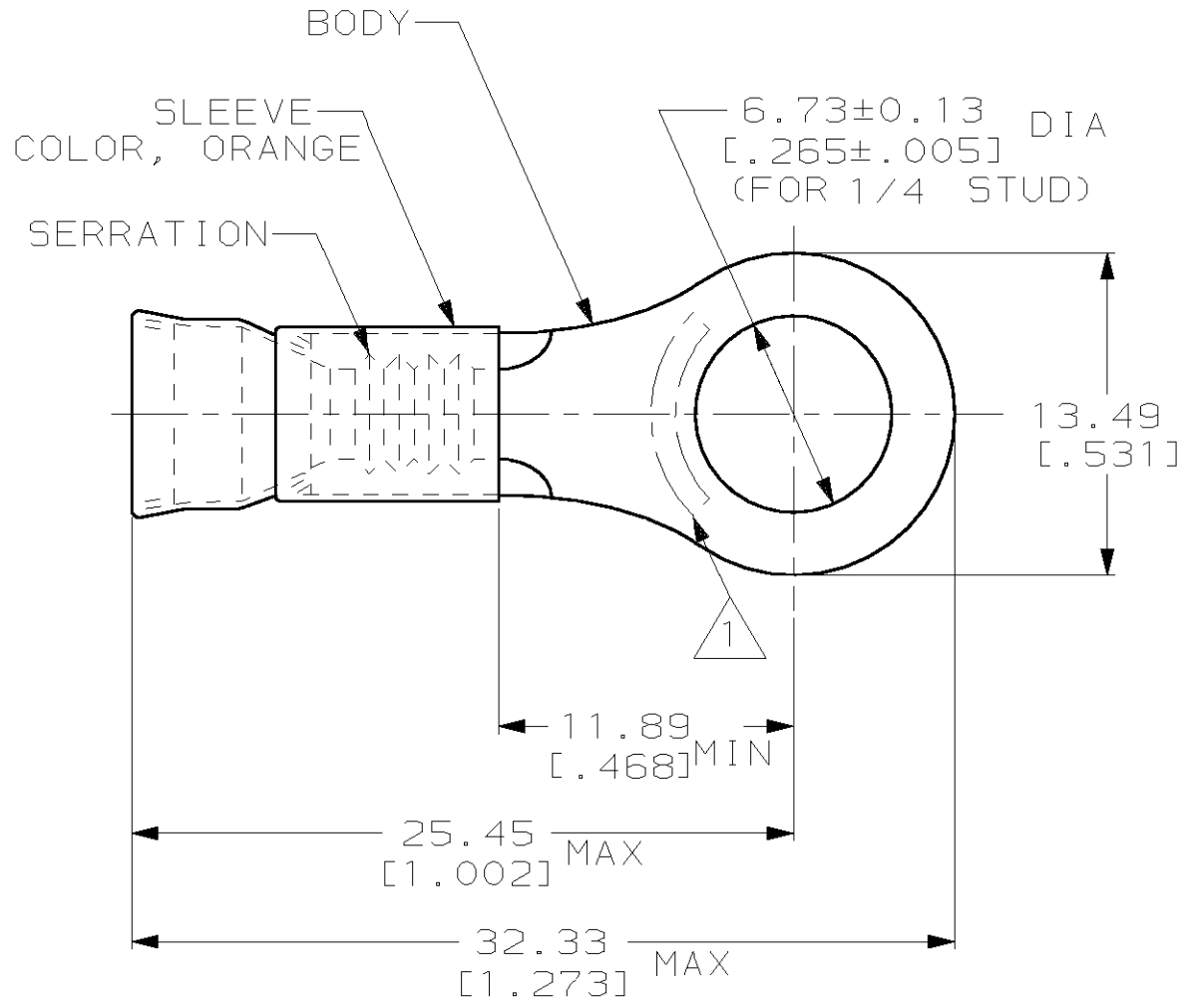
3

2

1

THIS DRAWING IS UNPUBLISHED. RELEASED FOR PUBLICATION, 19 .
 © COPYRIGHT 19 BY AMP INCORPORATED. ALL RIGHTS RESERVED.

LOC	DIST	REVISIONS					
		P	LTR	DESCRIPTION	DATE	DWN	APVD
G	14		H	REL -1 PER 0G3A-0648-00	04OCT00	JR	MS



- ① STAMP AMP 12-10 APPROX AS SHOWN
- 2. WIRE INSUL DIA, 3.81-5.84 [0.150-.230]
- 3. TONGUE MATL THK, 1.02±0.05 [0.040±.002]
- ④ NO ORANGE COLOR CODE ON BARREL TO DENOTE NICKEL MATERIAL.
- ⑤ PRELIMINARY - NOT FOR PRODUCTION

	200	LOOSE PIECE	8-323751-5
④	2,500	ON TAPE, REEL	⑤ 323751-2
④	500	LOOSE PIECE	323751-1
	500	LOOSE PIECE	323751
	QTY	PACKAGE TYPE	PART NO

AMP INCORPORATED CUSTOMER SERVICE SYSTEM		MAX RECOMMENDED OPERATING TEMPERATURE: 649°C [1200°F]	THIS DRAWING IS A CONTROLLED DOCUMENT FOR AMP INCORPORATED. IT IS SUBJECT TO CHANGE AND THE CONTROLLING ENGINEERING ORGANIZATION SHOULD BE CONTACTED FOR THE LATEST REVISION.		DWN L OLMEDA 100CT94	AMP Incorporated Harrisburg, PA 17105-3608						
FOR ADDITIONAL PRODUCT INFORMATION OR COPIES OF DRAWINGS AND TECHNICAL DOCUMENTS	PRODUCT INFORMATION CENTER 1-800-522-6752		VOLTAGE RATING: -	DIMENSIONS: mm [in]	TOLERANCES UNLESS OTHERWISE SPECIFIED:		CHK M ELLIS 100CT94	NAME S BORTNER 100CT94				
FOR APPLICATION TOOLING INFORMATION	TOOLING ASSISTANCE CENTER 1-800-722-1111	CIRCULAR MIL AREA: 2.62mm ² -6.64mm ² [5180-13100]		0 PLC ±- 1 PLC ±- 2 PLC ±0.20 [0.008] 3 PLC ±- 4 PLC ±- ANGLES ±-	APVD S BORTNER 100CT94	PRODUCT SPEC -						
FOR ORDER ENTRY	1-800-526-5142	STRANDED WIRE		MATERIAL BODY, NI PER ASTM B162 SLEEVE, NI SIL PER ASTM B122	FINISH -	APPLICATION SPEC -	WEIGHT -					
					CUSTOMER DRAWING		SIZE A3	CAGE CODE 00779	DRAWING NO C-323751	SCALE 4:1	SHEET 1 OF 1	REV H