

PART NAME: KNOB

SCALE: 1:1

DATE: 3/15/05

DR. BY JAM

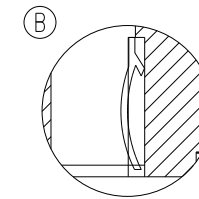
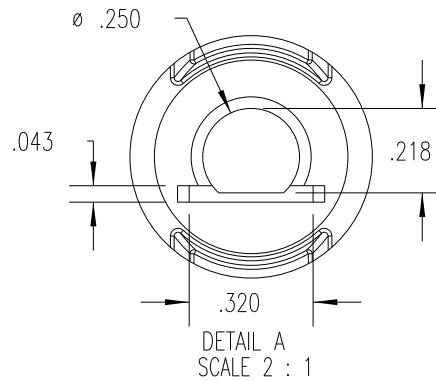
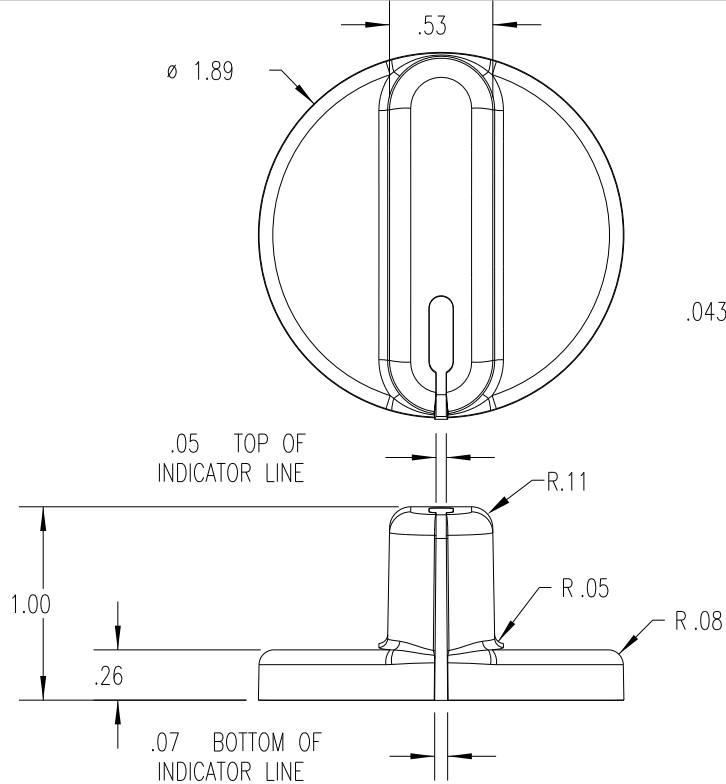
DAVIES MOLDING COMPANY  
CAROL STREAM, ILLINOIS 60188

P/N 1507-G

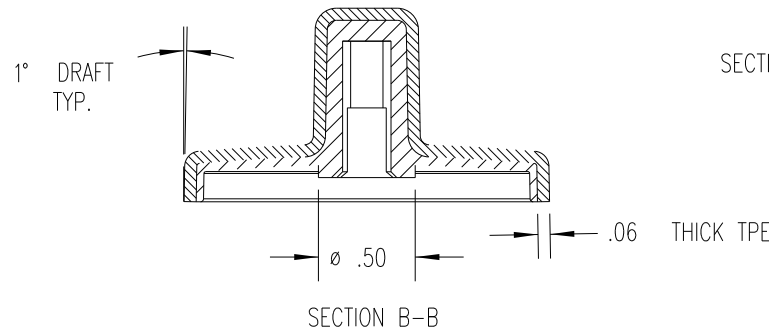
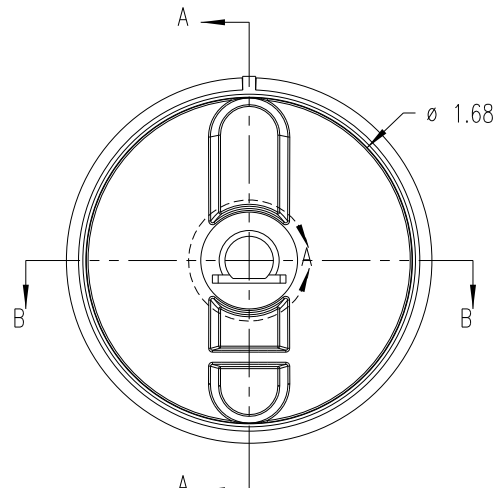
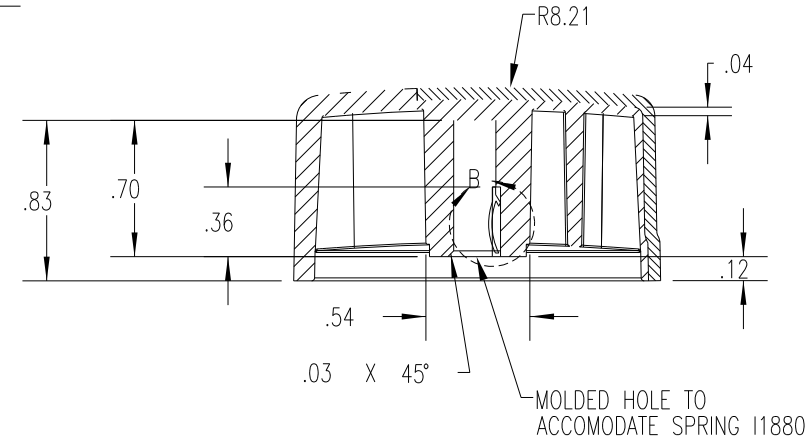
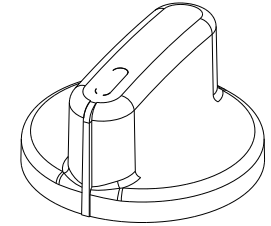
SPRING

I1880

THIS DRAWING IS THE PROPERTY OF DAVIES MOLDING COMPANY, IS SUBMITTED SOLELY AS A DESIGN OR ENGINEERING PROJECT.  
WE ACCEPT NO RESPONSIBILITY WHATSOEVER FOR THE PRACTICAL APPLICATION OF THE PIECES MADE TO THIS DESIGN.



ORIENTATION OF SPRING  
DETAIL B  
SCALE 2 : 1



SUBSTRATE MATERIAL: POLYPROPYLENE (CLD)  
 COLOR: WHITE (PC23083)  
 OVERMOLD MATERIAL: TPE (TPE3)  
 COLOR: BLACK

(A)

TOLERANCES: UNLESS OTHERWISE SPECIFIED	DO NOT SCALE DRAWING			
DECIMALS: X.XXX ± .005 X.XX ± .015	MM: X.XX ± 0.15MM X.X ± 0.4MM	B	ADDED SPRING DETAIL	JAM 2/22/16
FRACTIONS ± 1/64	ANG. ± 1°	A	ADDED COLOR # PC23083_PC-301	DS 10/16/06
CHANGES				